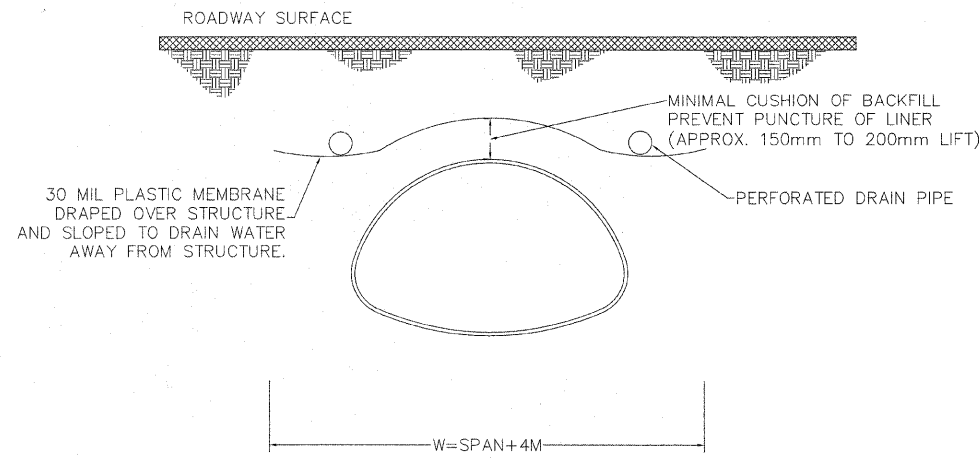


**CROSS SECTION STAGE 1 SOIL RETENTION SYSTEM**

(LOOKING NORTH)  
 TEMPORARY SHEET PILING SHALL REMAIN IN PLACE UNTIL THE WEST BOUND LANES ARE COMPLETED AS SHOWN IN STAGE 1 LONGITUDINAL SECTION, STAGE CONSTRUCTION DETAILS SHEET

MEMBRANE PROTECTION FROM DE-ICING SALTS



**MEMBRANE DETAIL**

LOG OF BORING NO. SB-8		Page 1 of 1	
CLIENT McCLURE ENGINEERING ASSOCIATES, INC. SITE RTE 20 CROSSING, E. OF HOISINGTON RD STEPHENSON & WINNEBAGO COUNTY, ILLINOIS Approx. Boring Location: Sta 36+990		PROJECT ILLINOIS PRAIRIE PATH PROJECT	
GRAPHIC LOG	DESCRIPTION	DEPTH, ft.	TESTS
	Approx. Surface Elev.: 826.5 ft	USCS SYMBOL	RECOVERY, in.
0.1	0.5" Asphaltic Cement Concrete	HS	
1.5	17.5" Sand, with Gravel Base Course	SS	
4	FILL: SAND & GRAVEL, WITH ASPHALT PIECES, Dark Gray, Gray and Brown	SS	
9.5	FILL: LEAN CLAY, WITH SAND, TRACE GRAVEL, Brown, Gray Brown and Dark Gray	SS	
12.5	LEAN CLAY, WITH SAND, TRACE GRAVEL, Brown, Very Stiff	CL	8000*
16	SILTY FINE SAND, WITH OCC GRAVEL, Brown, Medium Dense	SM	
18	GRAVELLY SAND, WITH SILT, WITH COBBLES (POSSIBLE WEATHERED LIMESTONE), Light Brown, Extremely Dense	SW	
48.6	BOTTOM OF BORING	SW	
WATER LEVEL OBSERVATIONS, ft WL <input checked="" type="checkbox"/> DRY WD <input checked="" type="checkbox"/> DRY AB RIG 74 FOREMAN BR APPROVED RWG JOB# 19985007		BORING STARTED 2-15-99 BORING COMPLETED 2-15-99 RIG 74 FOREMAN BR APPROVED RWG JOB# 19985007	

LOG OF BORING NO. SB-9		Page 1 of 1	
CLIENT McCLURE ENGINEERING ASSOCIATES, INC. SITE RTE 20 CROSSING, E. OF HOISINGTON RD STEPHENSON & WINNEBAGO COUNTY, ILLINOIS Approx. Boring Location: Sta 37+020		PROJECT ILLINOIS PRAIRIE PATH PROJECT	
GRAPHIC LOG	DESCRIPTION	DEPTH, ft.	TESTS
	Approx. Surface Elev.: 826.5 ft	USCS SYMBOL	RECOVERY, in.
0.3	3" Asphaltic Cement Concrete	HS	
1.5	15" Sand, with Gravel Base Course	SS	
4	FILL: SAND & GRAVEL, WITH ASPHALT PIECES, Dark Gray, Gray and Brown	SS	
6.5	FILL: LEAN CLAY, WITH SAND, TRACE GRAVEL, Brown, Gray Brown and Dark Gray	SS	
12	SILTY FINE SAND, WITH OCC GRAVEL, Brown, Dense	SM	
17	GRAVELLY SAND, WITH SILT, WITH COBBLES (POSSIBLE WEATHERED LIMESTONE), Light Brown, Extremely Dense	SW	
48.6	BOTTOM OF BORING	SW	
WATER LEVEL OBSERVATIONS, ft WL <input checked="" type="checkbox"/> DRY WD <input checked="" type="checkbox"/> DRY AB RIG 74 FOREMAN BR APPROVED RWG JOB# 19985007		BORING STARTED 2-15-99 BORING COMPLETED 2-15-99 RIG 74 FOREMAN BR APPROVED RWG JOB# 19985007	

**SOIL BORINGS**

REVISIONS NO. ITEM DATE 2 REVIEW COMMENTS 1/22/09			PLOTTING SCALE: 1 : 1 DRAWN BY: REK CHECKED BY: DATE: DECEMBER, 2008	 7282 Argus Drive Rockford, Illinois 61107-5837 (815) 398-2332 FAX (815) 398-2496 Design Firm License: Illinois 184-000816 Copyright 2006 By McClure Engineering Associates, Inc.	<b>TEMPORARY SOIL RETENTION SYSTEM</b> PECATONICA PRAIRIE PATH Contract 85443 WINNEBAGO COUNTY HIGHWAY DEPARTMENT SECTION 94-00267-00-BT	SHEET NO. <b>83 OF 98</b>
---	--	--	---	---	--	------------------------------