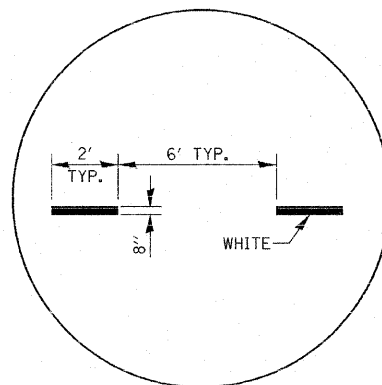
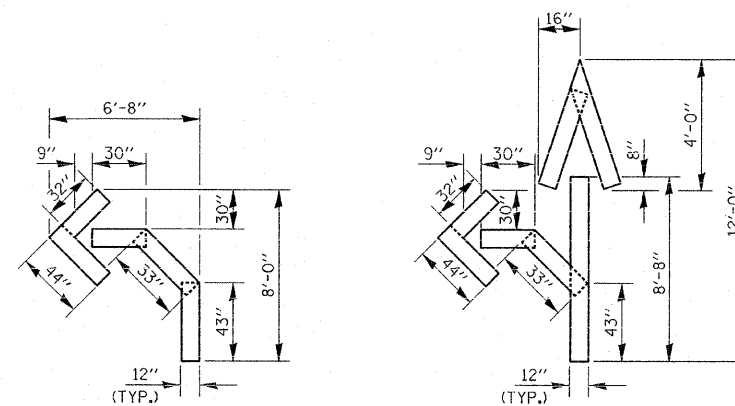


**TYPICAL APPLICATION  
@ LEFT TURN LANES** 780-1

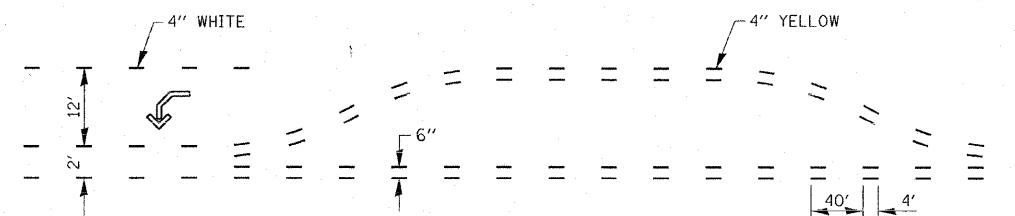


**ADVANCE AND INTERSECTION LANE  
DIVIDER LINES**  
780-5



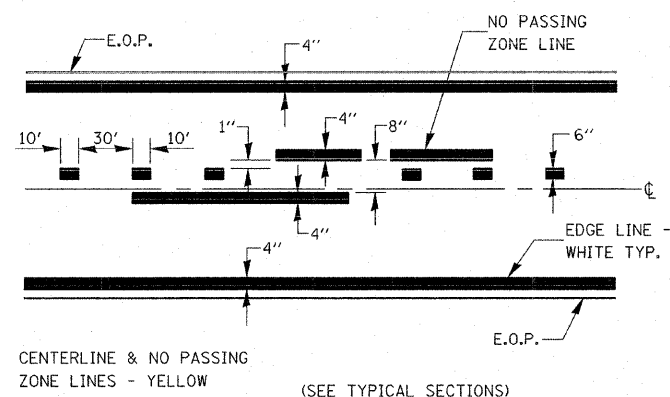
QUANTITY  
12" LINE = 16 LIN. FT.  
OR 4" LINE = 48 LIN. FT.

QUANTITY  
12" LINE = 29 LIN. FT.  
OR 4" LINE = 87 LIN. FT.



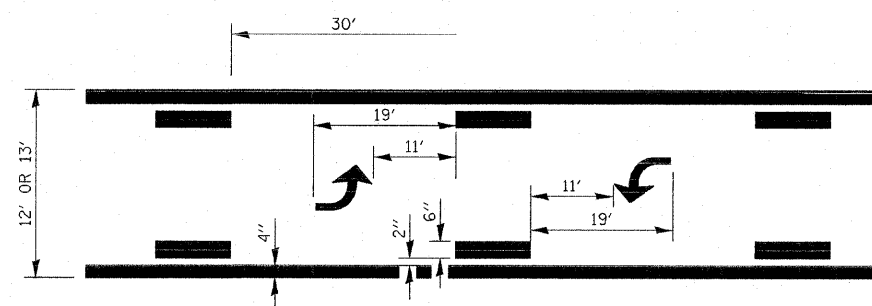
**SHORT-TERM PAVEMENT MARKING  
FOR MEDIANS AND ARROWS**

703-1



**PAVEMENT MARKING**

780-8



**TYPICAL APPLICATION @  
BI-DIRECTIONAL TURN LANE** 780-2

FILE NAME =	USER NAME = #USER#	DESIGNED -	REVISED -
#FILEL#		DRAWN -	REVISED -
	PLOT SCALE = #SCALE#	CHECKED -	REVISED -
	PLOT DATE = #DATE#	DATE -	REVISED -

STATE OF ILLINOIS  
DEPARTMENT OF TRANSPORTATION

DETAILS

SCALE: SHEET NO. OF SHEETS STA. TO STA.

F.A. RTE.	SECTION	COUNTY	TOTAL SHEETS	SHEET NO.
5345	09-00139-01-RS	DEKALB	19	14
CONTRACT NO. 87400				
FED. ROAD DIST. NO. ILLINOIS FED. AID PROJECT				