

Notes:

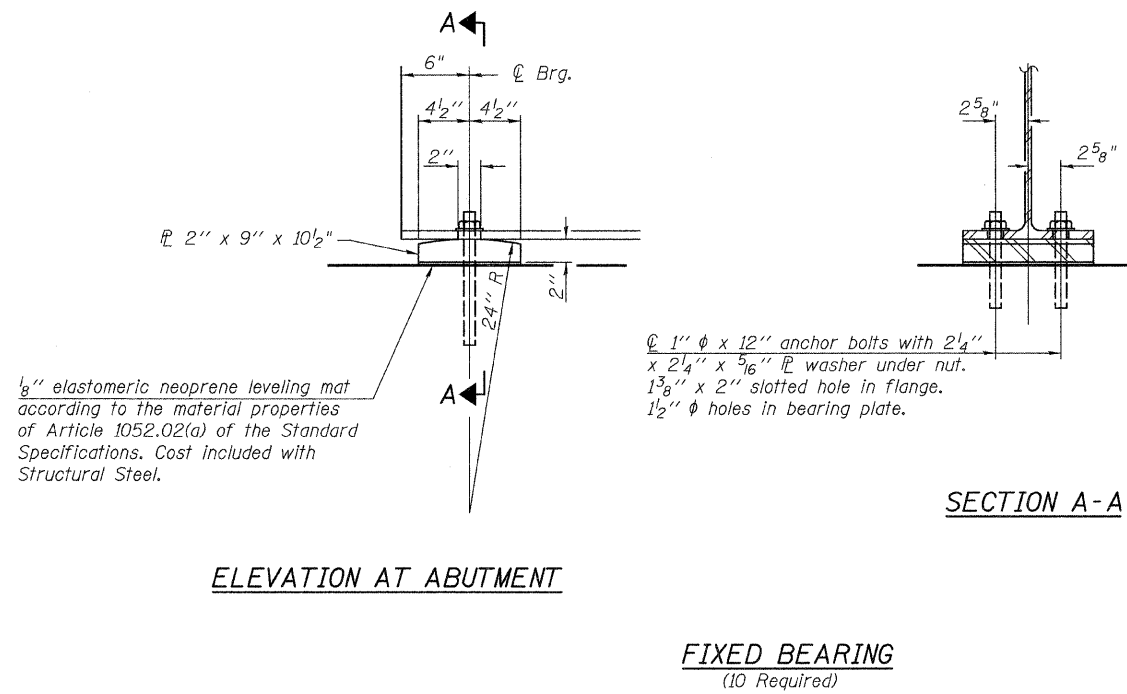
Anchor bolts shall be ASTM F1554 all-thread (or an Engineer-approved alternate material) of the grade(s) and diameter(s) specified. ASTM A307 Grade C anchor bolts may be used in lieu of ASTM F1554 Grade 36 (Fy=36ksi). The corresponding specified grade of AASHTO M314 anchor bolts may be used in lieu of ASTM F1554.

Anchor bolts at fixed bearings may be either cast in place or installed in holes drilled after the supported member is in place.

Drilled and set anchor bolts shall be installed according to Article 521.06 of the Standard Specifications.

All bearing plates shall conform to the requirements of AASHTO M270, Grade 50W.

Anchors shall be set and grout cured for a minimum of 24 hours prior to forming the bridge deck.



**BILL OF MATERIAL**

ITEM	UNIT	TOTAL
Anchor Bolts, 1"	Each	20

BEARING DETAILS  
COUNTY HIGHWAY 10 OVER  
FOUNTAIN CREEK TRIBUTARY  
SEC. 07-00216-01-BR  
IROQUOIS COUNTY  
STATION 20+02.60