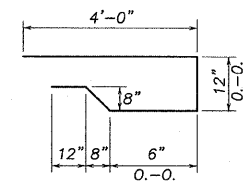
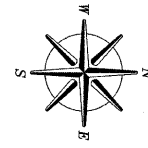
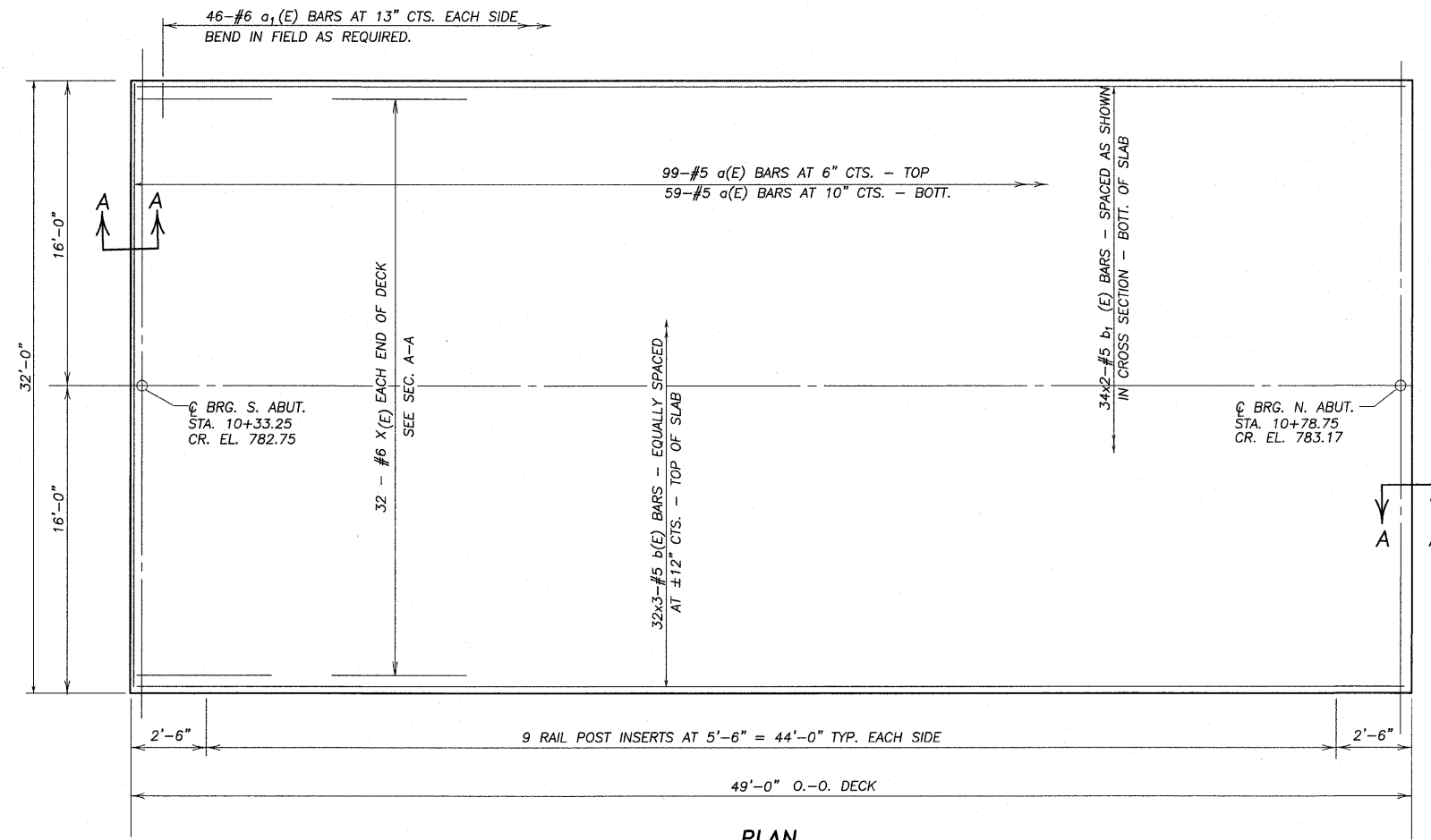


REVISION	DATE

DESIGNED BY:	
DRAWN BY:	
CHECKED BY:	
DATE:	

**wendler**  
 GROUND-BREAKING SOLUTIONS  
 engineers - surveyors - scientists  
 www.wendlergs.com ph: 815.288.2281  
 Illinois Professional Design Firm No. 184-000848

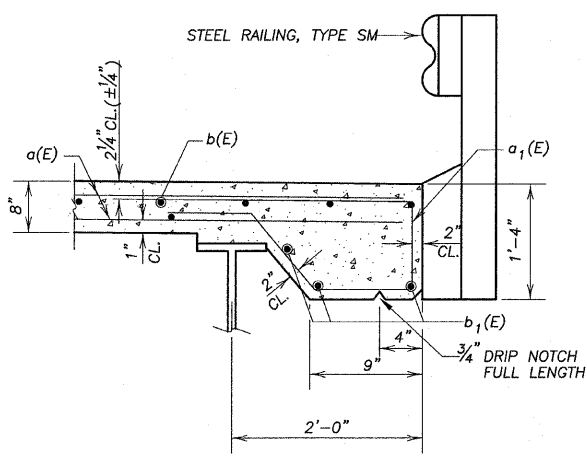


BAR a<sub>1</sub>(E)

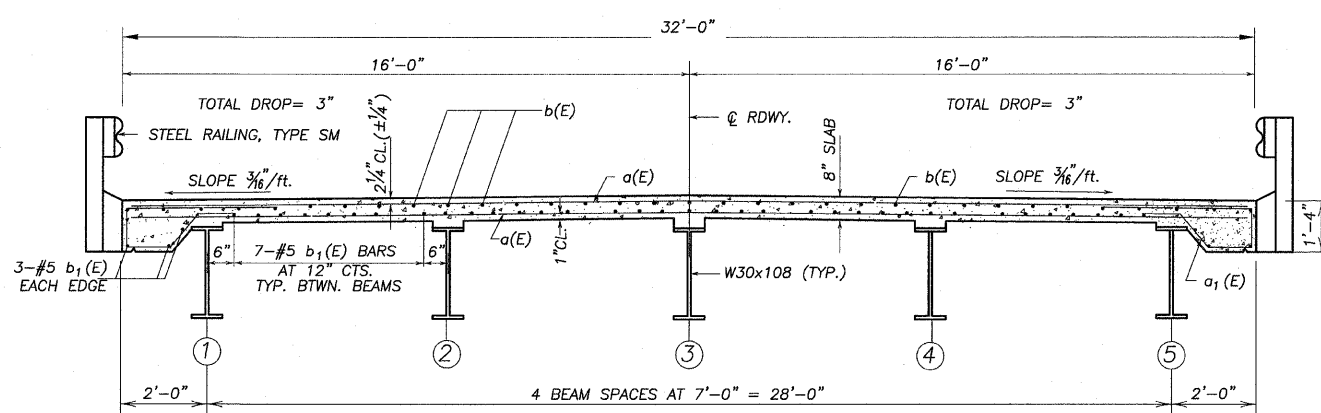
MIN. LAP

#5	2'-5"
#6	2'-9"

PLAN



SECTION THRU EDGE OF SLAB



CROSS SECTION  
 (LOOKING NORTH)

SUPERSTRUCTURE  
 SECTION 05-00213-00-BR  
 SHABONA ROAD  
 DEKALB COUNTY  
 SN 019-3066

SUPERSTRUCTURE  
 OF  
 SHABONA ROAD BRIDGE REPLACEMENT  
 FOR  
 DEKALB COUNTY HIGHWAY

SHEET TITLE

JOB NUMBER  
 2080381

DATE  
 2/27/2009

SHEET NO.