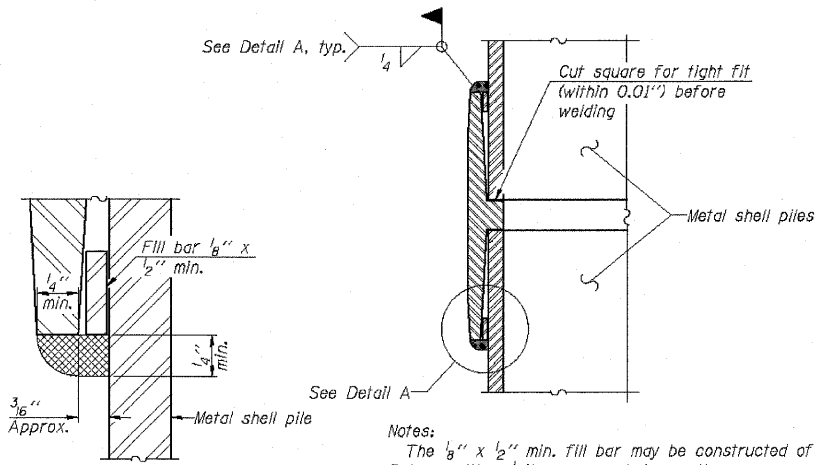


**METAL SHELL PILE TABLE**

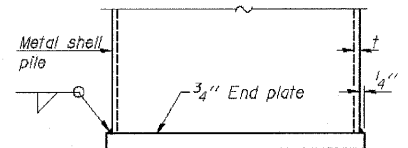
Designation and outside diameter	Wall thickness t	Weight per foot (Lbs./ft.)	Inside volume (yd. <sup>3</sup> /ft.)
PP12	0.179"	22.60	0.0274
PP12	0.250"	31.37	0.0267
PP14	0.250"	36.71	0.0368
PP14	0.312"	45.61	0.0361



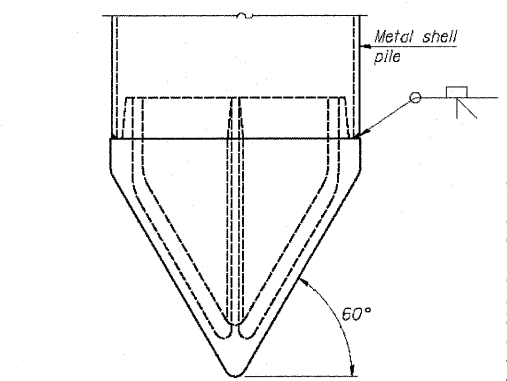
**DETAIL A**

**WELDED COMMERCIAL SPLICE**

Notes:  
 The 1/8" x 1/2" min. fill bar may be constructed of 2 bars with a 1/8" max. gap between them.  
 Pile segments shall be driven to solid contact with splicer before welding.



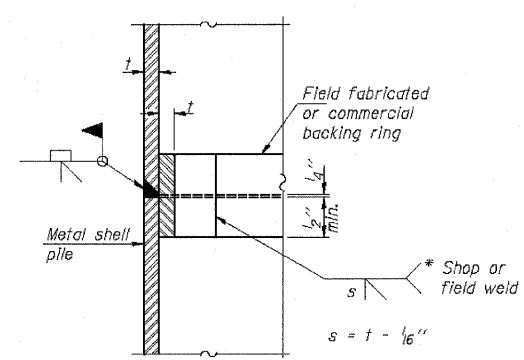
**END PLATE ATTACHMENT**



**METAL SHELL PILE SHOE ATTACHMENT**

(See Note A)

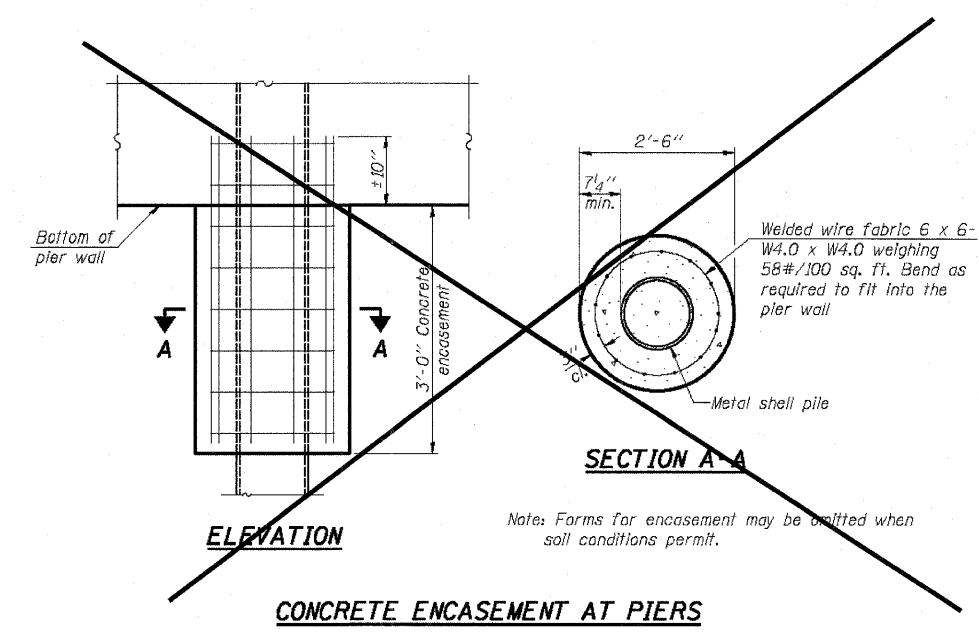
Note A:  
 When called for on the plans, the Contractor shall furnish metal shell pile shoes consisting of a single piece conical pile point as shown. The pile shoes shall be cast in one piece steel according to either ASTM A 148 Grade 90-60 or AASHTO M 103 Grade 65-35 and shall provide full bearing over the full circumference of the metal shell pile. The pile shoe shall have tapered leads to assure proper alignment and fitting and shall be secured to the pile with a circumferential weld.



**COMPLETE PENETRATION WELD SPLICE**

\* Field fabricated backing ring may be made from pile shell by removing segment to allow reducing circumference and vertically rejoin with partial joint penetration weld.

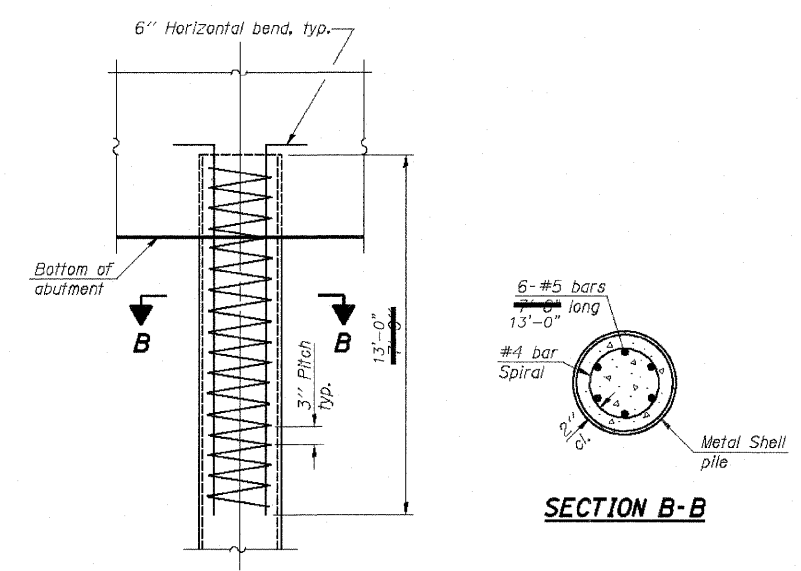
Note: The metal shell piles shall be according to ASTM A 252 Grade 3.



**ELEVATION**

**SECTION A-A**

**CONCRETE ENCASEMENT AT PIERS**



**ELEVATION**

**SECTION B-B**

**METAL SHELL REINFORCEMENT AT ABUTMENTS**

REVISIONS

REVISION	DATE

DESIGNED BY: RLR  
 DRAWN BY: RLR  
 CHECKED BY: RLR  
 SUPERVISED BY: RLR  
 BOOK NO.:

**wendler**  
 GROUND-BREAKING SOLUTIONS  
 engineers - surveyors - scientists  
 www.wendlergs.com ph: 815.288.2281  
 Illinois Professional Design Firm No. 184-000848

PILE DETAILS OF SHABBONA ROAD BRIDGE REPLACEMENT FOR DEKALB COUNTY HIGHWAY

SHEET TITLE

PILE DETAILS

JOB NUMBER 2080381

DATE 2/23/2009

SHEET NO.

PILING DETAILS  
 SECTION 05-00213-00-BR  
 SHABBONA ROAD  
 DEKALB COUNTY  
 SN 019-3066