

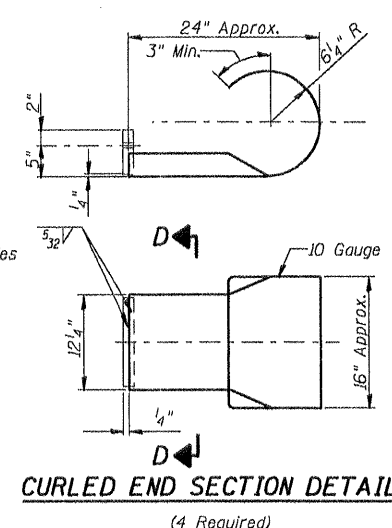
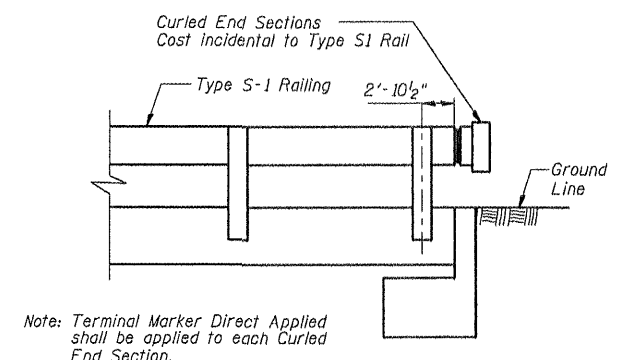
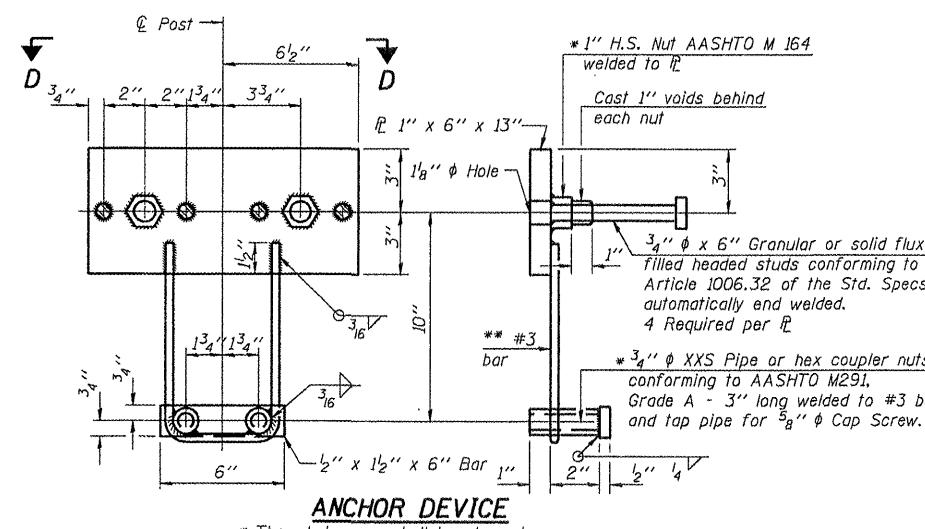
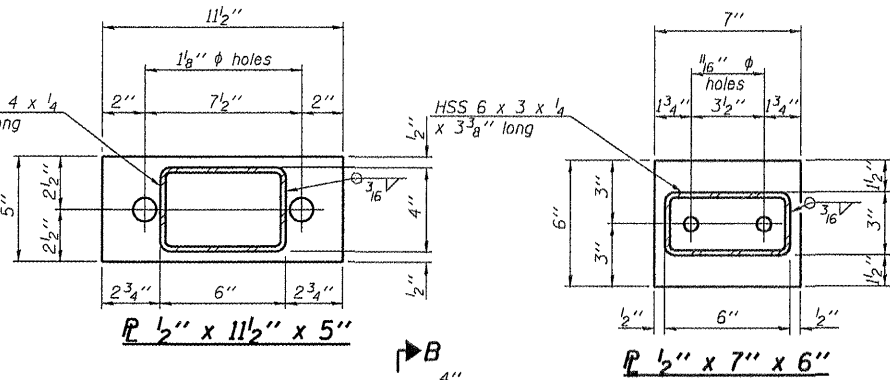
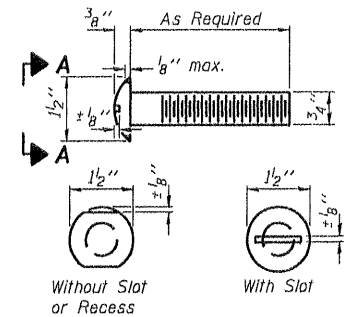
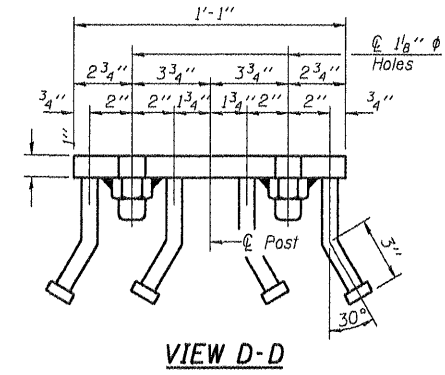
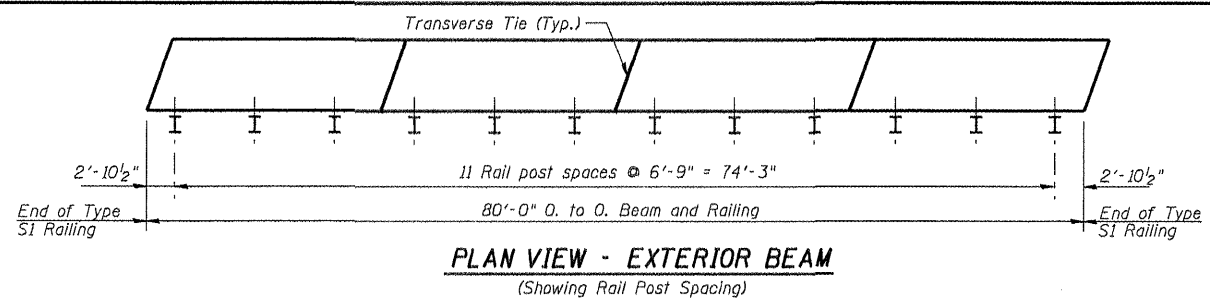
ROUTE NO.	SECTION	COUNTY	TOTAL SHEETS	SHEET NO.
C.H. 16	05-00096-01-BR	KNOX	12	7
FED. ROAD DIST. NO.	ILLINOIS PROJECT			

CONTRACT # 89427

Notes:

All field drilled holes shall be coated with an approved zinc rich paint before erection. For multi-span bridges, sufficient 1/4" x 6" x 1'-2" galvanized steel shims shall be provided to align rail between adjacent spans. Cost included with Steel Railing, Type S-1. All steel rail elements shall be galvanized according to Article 509.05 of the Standard Specifications.

\*\*\* The studs of the anchor devices shall be placed below the top reinforcement bars and the outermost longitudinal reinforcement bar shall be placed directly above the studs of the rail post anchor device.



SECTION D-D

CURLED END SECTION DETAILS (4 Required)

**BILL OF MATERIAL**

Item	Unit	Quantity
Steel Railing, Type S-1	Foot	160

**STEEL RAILING, TYPE S-1  
STRUCTURE NO. 048-3389**

**STEEL RAILING**

Date	Designed DCS	C.H. 16 OVER FITCH CREEK SECTION 05-00096-01-BR KNOX COUNTY STA. 10+00.00 PROP. STR. NO. 048-3389	Sheet No.
Revisions	Drawn DCS		<b>4</b>
	Checked MJP		
	Approved KWB		
Prepared by: <b>URS</b>	345 East Ash Avenue Decatur, IL 62526		
		URS Job No.	36432317