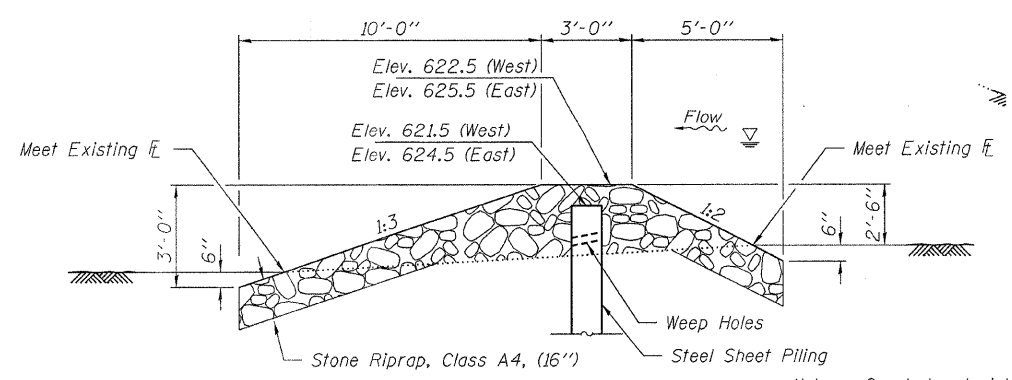


\* Minimum effective section modulus of permanent steel sheet piling shall be 3.5 in<sup>3</sup>/ft.



Notes: Grouted material shall not be placed on the instream riprap detail. Filter Fabric is not required.

**BILL OF MATERIAL**

ITEM	UNIT	TOTAL
Steel Sheet Piling	Sq. Ft.	544

**RIPRAP DETAILS  
STRUCTURE NO. 102-3210**

DESIGNED - S.M.S.
CHECKED - M.D.C.
DRAWN - D.A.B.
CHECKED - S.W.M.

<b>HAMPTON, LENZINI &amp; RENWICK, INC.</b> CIVIL & STRUCTURAL ENGINEERS LAND SURVEYORS <b>HLR</b> 3085 STEVENSON DRIVE, SUITE 201 SPRINGFIELD, ILLINOIS 62703 (217) 648-3400 PROJECT NUMBER: 07.0873.130 DATE: 02/02/09	SHEET NO. 3	T.R.	SECTION	COUNTY	TOTAL SHEETS	SHEET NO.
	16 SHEETS	50	05-08145-00-BR	WOODFORD	47	31
METAMORA ROAD DISTRICT				CONTRACT NO. 89448		
FED. ROAD DIST. NO.		ILLINOIS		FED. AID PROJECT		