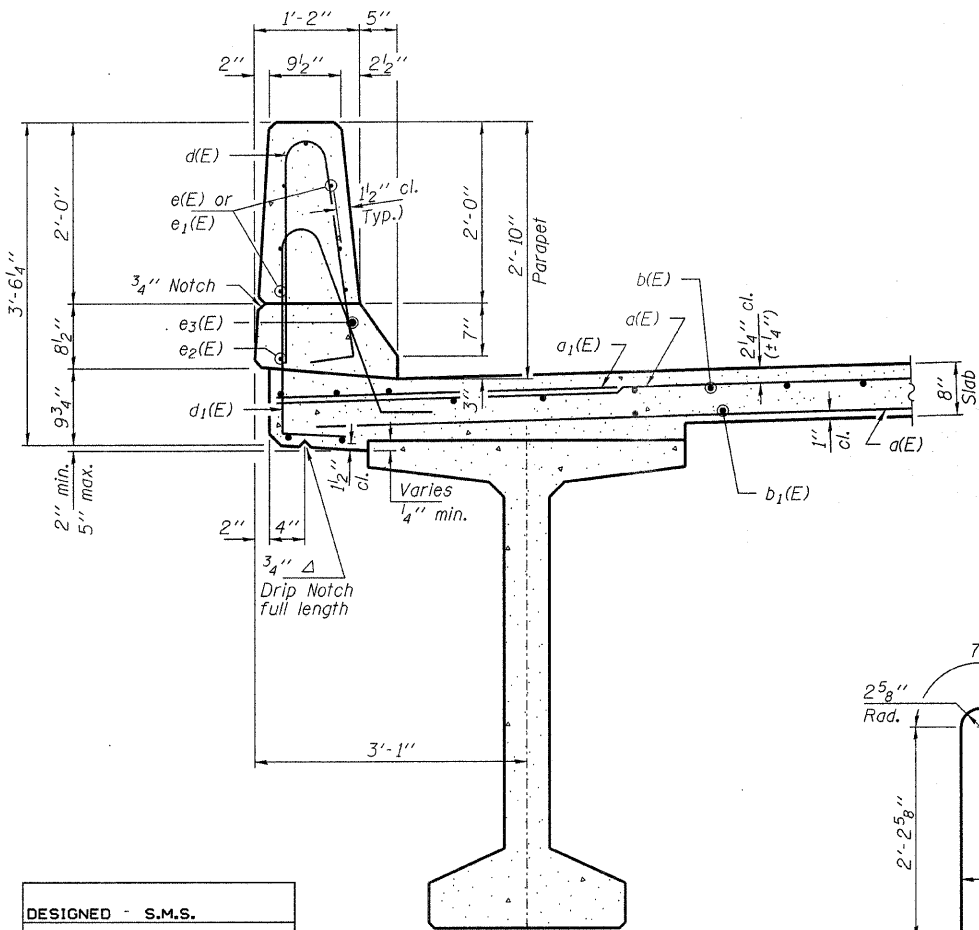


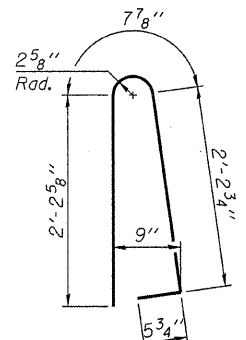
INSIDE ELEVATION OF PARAPET

Notes:
 Bars indicated thus 1 x 3-#8 etc. indicates
 1 line of bars with 3 lengths per line.

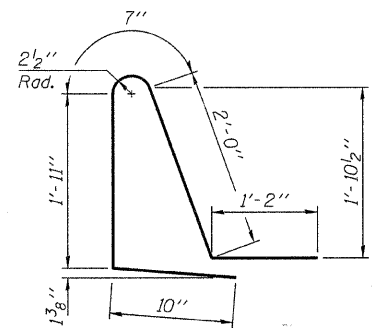
MIN. BAR LAPS
 #4 bars = 1'-8"
 #8 bars = 4'-6"



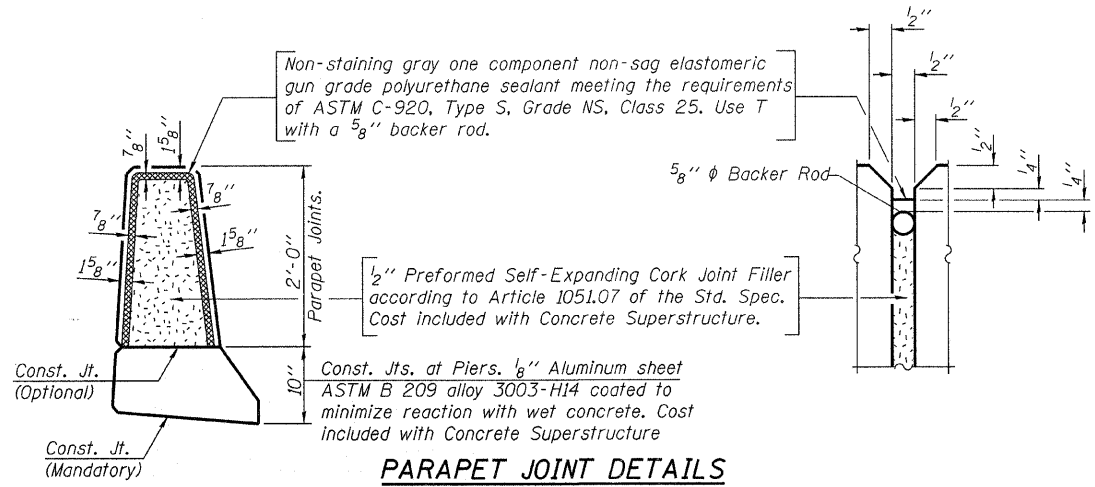
SECTION THRU PARAPET



BAR d(E)



BAR d1(E)



PARAPET JOINT DETAILS

**SUPERSTRUCTURE
 BILL OF MATERIAL**

Bar	No.	Size	Length	Shape
d(E)	294	#5	32'-6"	—
a1(E)	346	#6	6'-0"	—
a2(E)	4	#5	34'-7"	—
b(E)	148	#5	26'-6"	—
b1(E)	140	#5	21'-7"	—
b2(E)	20	#4	25'-6"	—
d(E)	222	#5	5'-7"	⏏
d1(E)	222	#5	6'-6"	⏏
e(E)	28	#4	18'-5"	—
e1(E)	56	#4	15'-7"	—
e2(E)	8	#4	26'-8"	—
e3(E)	6	#8	36'-9"	—
m(E)	4	#6	31'-11"	—
m1(E)	10	#6	34'-10"	—
m2(E)	30	#6	9'-3"	—
m3(E)	8	#6	4'-6"	—
m4(E)	4	#6	1'-11"	—
s(E)	60	#5	7'-2"	⏏
s1(E)	40	#4	14'-8"	⏏
s2(E)	260	#4	5'-5"	⏏
Concrete Superstructures		Cu. Yds.	173.7	
Bridge Deck Grooving		Sq. Yds.	316	
Protective Coat		Sq. Yds.	424	
Reinforcement Bars, Epoxy Coated		Pound	28,260	

**SUPERSTRUCTURE DETAILS
 STRUCTURE NO. 102 - 3210**

DESIGNED - S.M.S.
 CHECKED - M.D.C.
 DRAWN - D.A.B.
 CHECKED - S.W.M.

HAMPTON, LENZINI & RENWICK, INC.
 CIVIL & STRUCTURAL ENGINEERS
 LAND SURVEYORS
 3085 STEVENSON DRIVE, SUITE 201
 SPRINGFIELD, ILLINOIS 62703
 (217) 546-3400
 PROJECT NUMBER: 07.0373.130 DATE: 02/02/09

SHEET NO. 8	T.R.	SECTION	COUNTY	TOTAL SHEETS	SHEET NO.
16 SHEETS	50	05-08145-00-BR	WOODFORD	47	36
	METAMORA ROAD DISTRICT		CONTRACT NO. 89448		
	FED. ROAD DIST. NO.	ILLINOIS	FED. AID PROJECT		