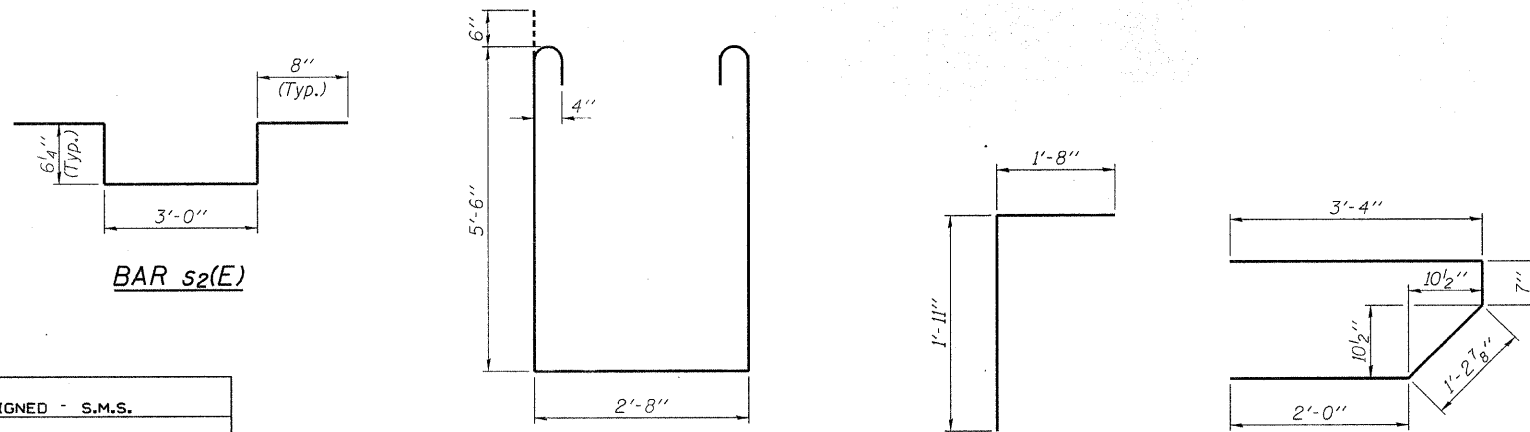


DIAPHRAGM AT ABUTMENTS

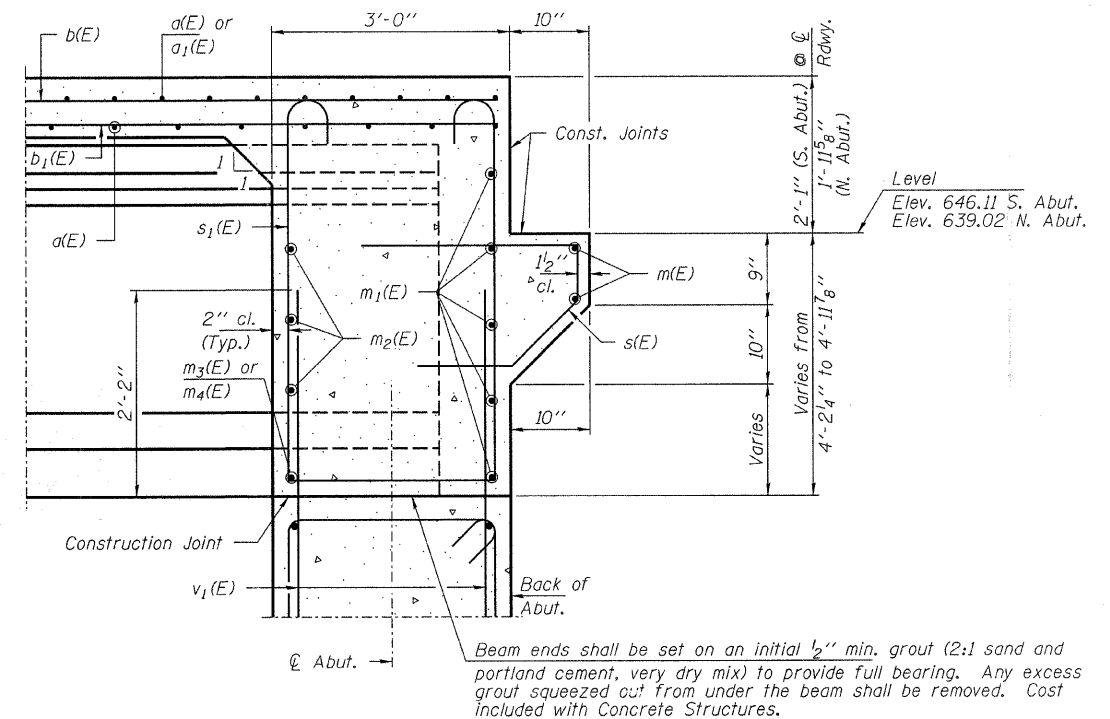
F.F. - Front Face
 B.F. - Back Face
 East Abutment Shown
 West Abutment Similar

Notes: Reinforcement bars in diaphragms are billed with superstructure on sheet 9.
 Concrete in diaphragms is included with "Concrete Superstructure" on sheet 9.
 See sheet 14 for holes thru web for $m_2(E)$ bars.
 The $s(E)$ and $s_1(E)$ bars shall be placed parallel to the beams. Spacing for these bars shall be at right angles to the beams.

MIN. BAR LAP
 #6 Bar = 2'-0"



DESIGNED - S.M.S.
CHECKED - M.D.C.
DRAWN - D.A.B.
CHECKED - S.W.M.



SECTION A-A

**SUPERSTRUCTURE DETAILS
 STRUCTURE NO. 102 - 3210**

HAMPTON, LENZINI & RENWICK, INC. CIVIL & STRUCTURAL ENGINEERS LAND SURVEYORS 3085 STEVENSON DRIVE, SUITE 201 SPRINGFIELD, ILLINOIS 62703 (217) 546-3400 PROJECT NUMBER: 07.0379.130 DATE: 02/02/09	SHEET NO. 9	T.R.	SECTION	COUNTY	TOTAL SHEETS	SHEET NO.
	16 SHEETS	50	05-08145-00-BR	WOODFORD	47	37
		METAMORA ROAD DISTRICT		CONTRACT NO. 89448		
		FED. ROAD DIST. NO.	ILLINOIS	FED. AID PROJECT		