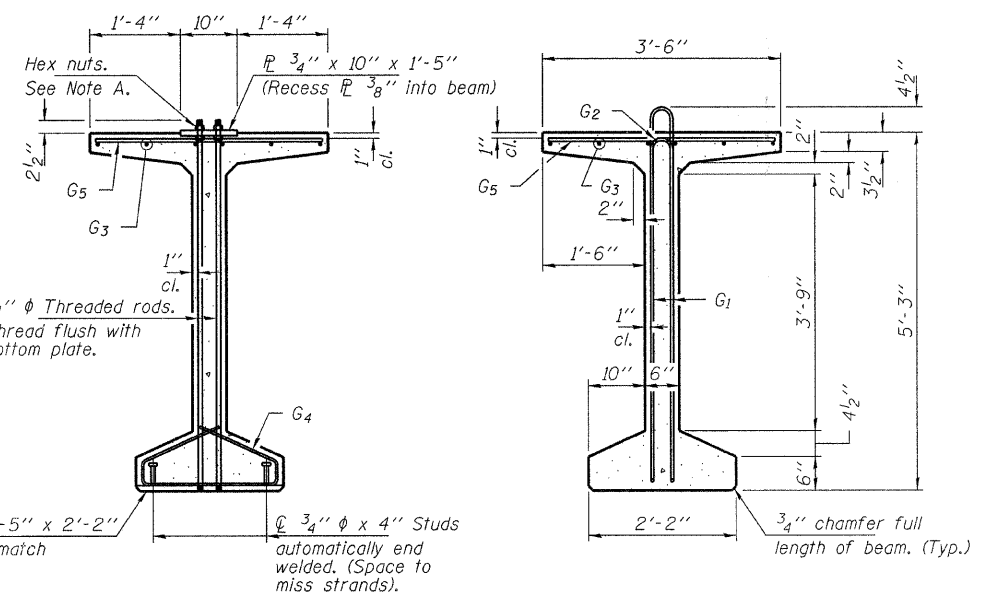


**ELEVATION OF BEAM**  
(Showing reinforcement & dimensions)

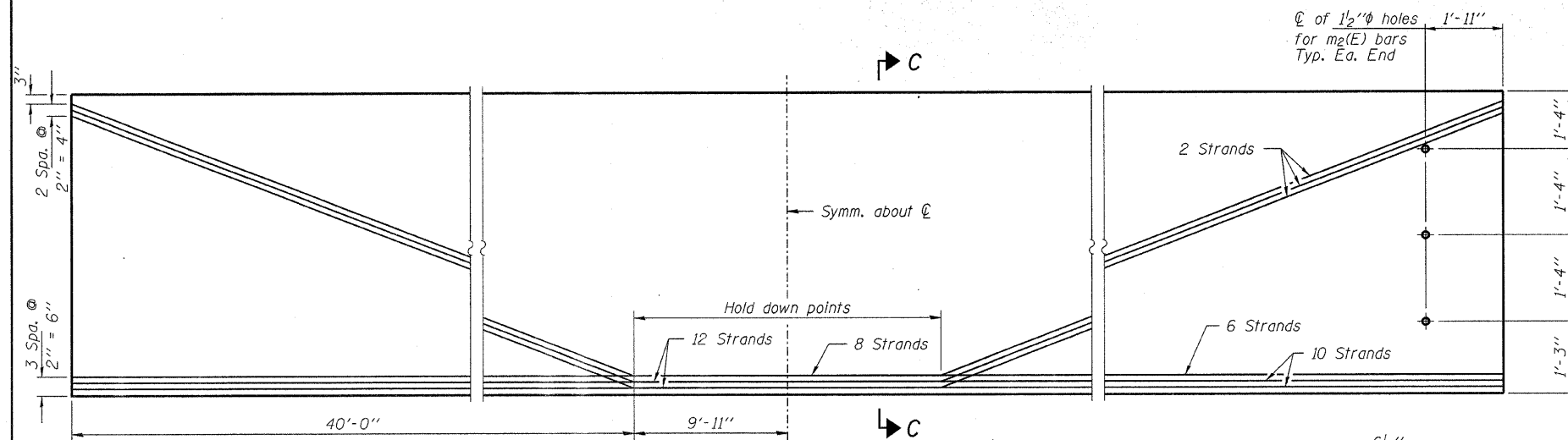
\* 4 Spa. @ 3'-4" = 1'-1"  
 \*\* 5-3/4"  $\phi$  threaded dowel rods @ 3'-4" cts., Each Face.

Note A:  
 Hex nuts (top and bottom) with lock washers (top). Only tighten sufficiently to compress lock washers.

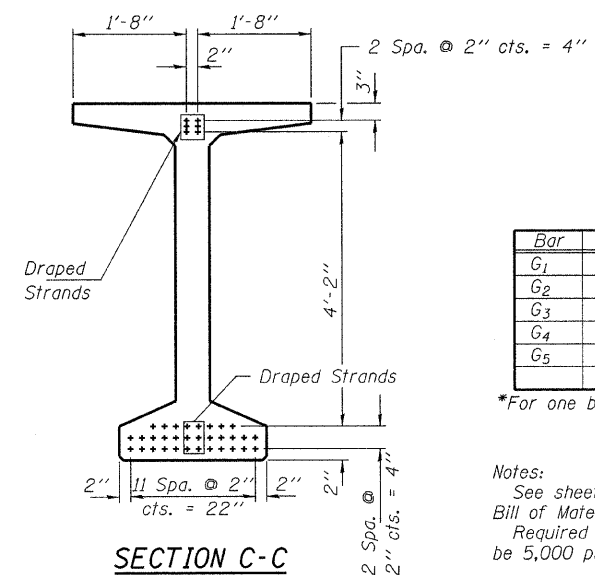


**SECTION A-A**

**SECTION B-B**



**ELEVATION OF BEAM**  
(Showing prestressing steel)



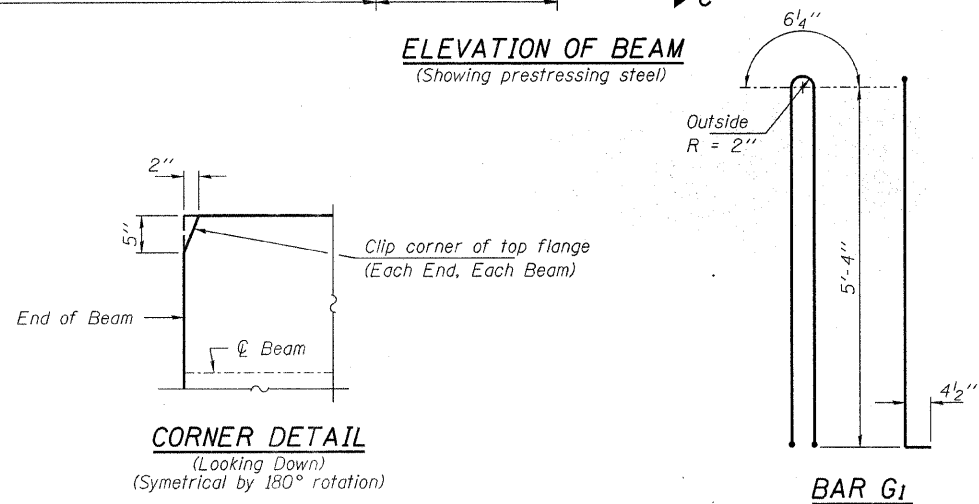
**SECTION C-C**

**\*BAR LIST**

Bar	No.	Size	Length	Shape
G <sub>1</sub>	169	#4	11'-11"	U
G <sub>2</sub>	16	#4	10'-2"	U
G <sub>3</sub>	24	#6	26'-11"	—
G <sub>4</sub>	56	#3	4'-11"	U
G <sub>5</sub>	133	#5	3'-4"	—

\*For one beam only. For information only.

Notes:  
 See sheet 13 for additional details and Bill of Material.  
 Required release strength, f'ci, shall be 5,000 psi.



**CORNER DETAIL**  
(Looking Down)  
(Symmetrical by 180° rotation)

DESIGNED - S.M.S.
CHECKED - M.D.C.
DRAWN - D.A.B.
CHECKED - S.W.M.

**BEAM DETAILS**  
**STRUCTURE NO. 102 - 3210**

<b>HAMPTON, LENZINI &amp; RENWICK, INC.</b> CIVIL & STRUCTURAL ENGINEERS LAND SURVEYORS <b>HLR</b> 3085 STEVENSON DRIVE, SUITE 201 SPRINGFIELD, ILLINOIS 62703 (217) 548-3400 PROJECT NUMBER: 07.0373.130 DATE: 02/02/09	SHEET NO. 11	T.R.	SECTION	COUNTY	TOTAL SHEETS	SHEET NO.
	16 SHEETS	50	05-08145-00-BR	WOODFORD	47	39
			METAMORA ROAD DISTRICT	CONTRACT NO. 89448		
			FED. ROAD DIST. NO.	ILLINOIS	FED. AID PROJECT	