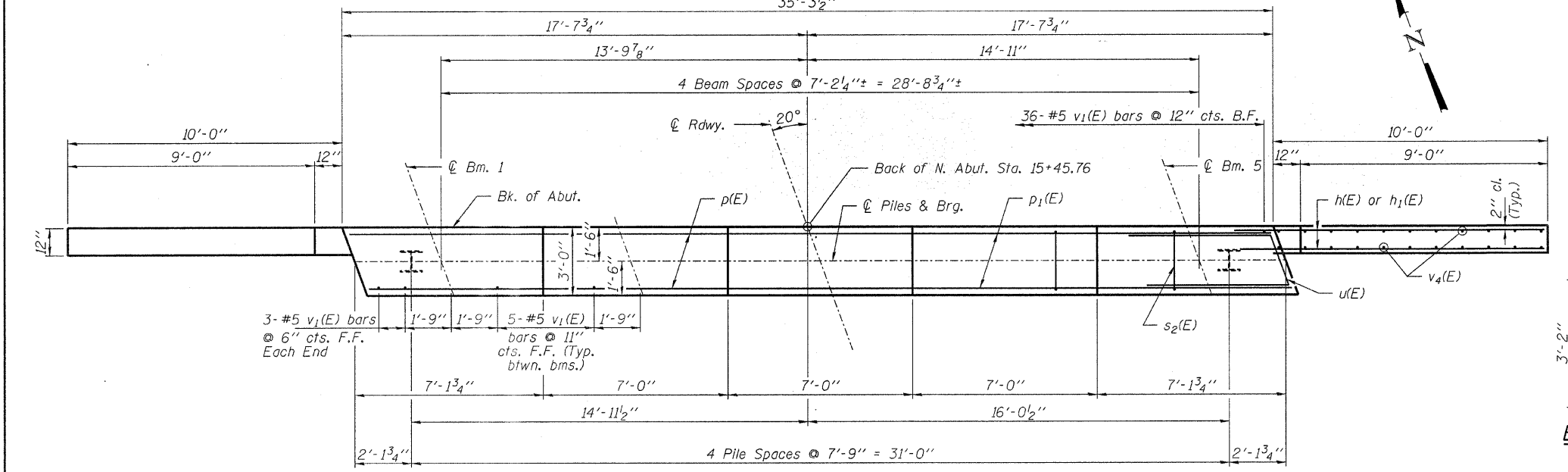


ELEVATION

SECTION A-A



BAR s2(E) or s3(E)

PILE DATA

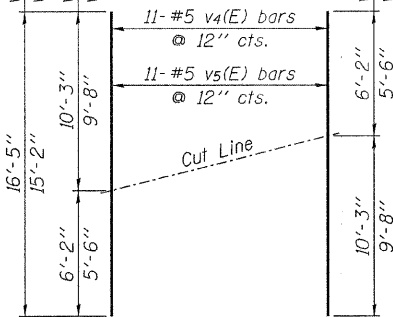
BILL OF MATERIAL - N. ABUT.

BAR	NO.	SIZE	LENGTH	SHAPE
h(E)	32	#7	13'-6"	—
h1(E)	44	#6	14'-0"	—
h3(E)	3	#4	20'-3"	—
p(E)	12	#8	34'-11"	—
p1(E)	10	#4	34'-11"	—
s2(E)	32	#5	12'-7"	□
s3(E)	2	#5	12'-11"	□
s4(E)	21	#4	5'-8"	□
u(E)	8	#6	12'-9"	—
v1(E)	62	#5	4'-6"	—
v4(E)	11	#5	16'-2"	—
v5(E)	11	#5	15'-2"	—
Concrete Structures			Cu. Yd.	22.0
Concrete Encasement			Cu. Yd.	2.6
Reinf. Bars, Epoxy Coated			Pound	4,530
Furnishing Steel Piles HP14x73			Foot	120
Setting Piles in Rock			Each	5

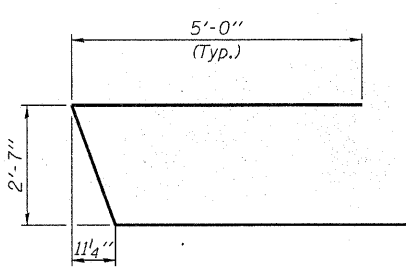
Notes:
 For Bar Splicer details see sheet 17.
 For Concrete Encasement details see sheet 18.
 Pour steps monolithically with cap.

**NORTH ABUTMENT
 STRUCTURE NO. 102 - 3210**

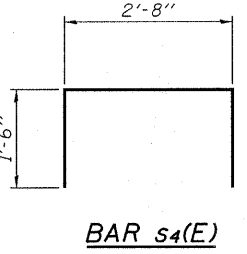
PLAN



FIELD CUTTING DIAGRAM
 Order v4(E) & v5(E) bars full length. Cut as shown and use remainder of bars in opposite face.



BAR u(E)



BAR s4(E)

Type _____ Steel HP14x73
 No. Req'd. (N. Abut.) _____ 5
 Factored Resistance Available (Rf) _____ 276 Kips/Pile
 Est. Length _____ 24 Ft/Pile

Notes: The Steel H-Piles shall be according to AASHTO M270 Grade 50.

DESIGNED - S.M.S.
CHECKED - M.D.C.
DRAWN - D.A.B.
CHECKED - S.W.M.

HAMPTON, LENZINI & RENWICK, INC.
 CIVIL & STRUCTURAL ENGINEERS
 LAND SURVEYORS
 3085 STEVENSON DRIVE, SUITE 201
 SPRINGFIELD, ILLINOIS 62703
 (217) 548-3400
 PROJECT NUMBER: 07.0379.130 DATE: 02/02/09

SHEET NO. 13 16 SHEETS	T.R.	SECTION	COUNTY	TOTAL SHEETS	SHEET NO.
	50	05-08145-00-BR	WOODFORD	47	41
METAMORA ROAD DISTRICT			CONTRACT NO. 89448		
FED. ROAD DIST. NO.		ILLINOIS FED. AID PROJECT			