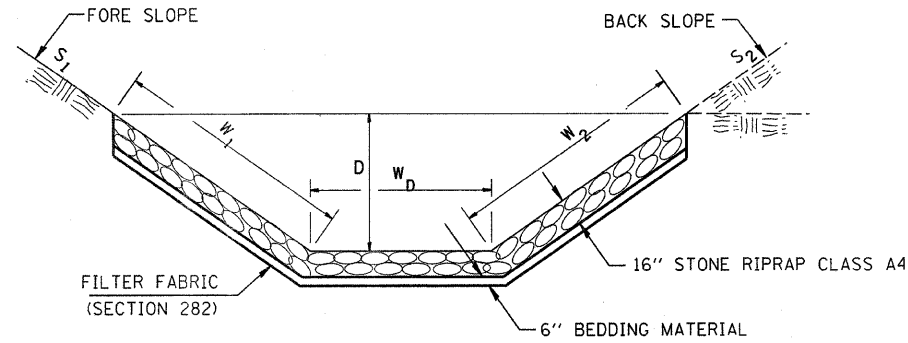


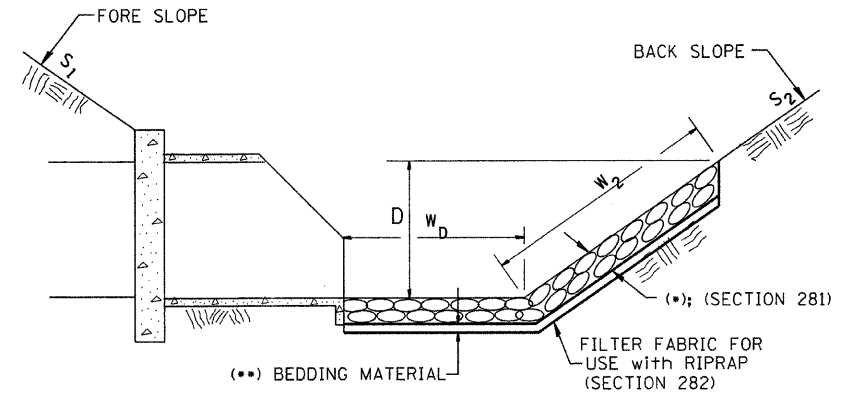
**CASE 1  
(DITCH)**



STONE RIPRAP CLASS A4				
LOCATION	WIDTH (1)	LENGTH	RIPRAP	FABRIC
STA TO STA	lin ft (m)	lin ft (m)	tons (m tons)	sq yds (m <sup>2</sup> )
LT. STA. 570+18 TO LT. STA. 571+35	12	117	81	160
LT. STA. 569+95 TO LT. STA. 570+60	12	95	66	130
TOTAL			147	290

(1) WIDTH =  $W_1 + W_2 + W_D$

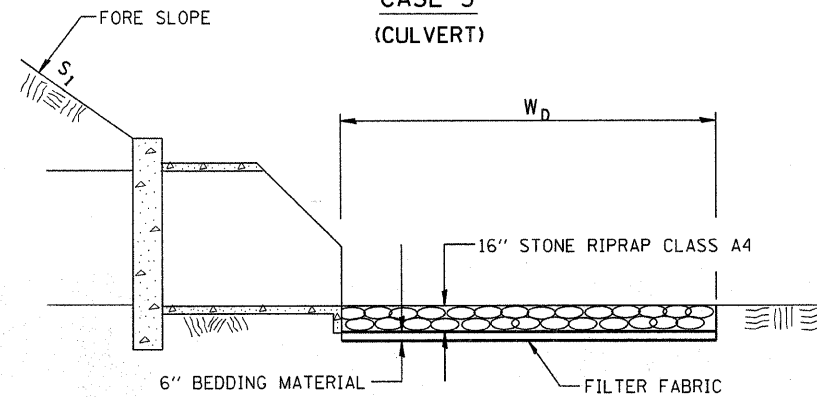
**CASE 2  
(CULVERT & SLOPE)**



(*)				
LOCATION	WIDTH (1)	LENGTH	RIPRAP	FABRIC
STA TO STA	lin ft (m)	lin ft (m)	tons (m tons)	sq yds (m <sup>2</sup> )
TOTAL				

(1) WIDTH =  $W_2 + W_D$

**CASE 3  
(CULVERT)**



STONE RIPRAP CLASS A4				
LOCATION	WIDTH (1)	LENGTH	RIPRAP	FABRIC
STA TO STA	lin ft (m)	lin ft (m)	tons (m tons)	sq yds (m <sup>2</sup> )
RT. STA. 571+97.25	8	8	5.5	7
LT. STA. 571+97.25	8	8	5.5	7
TOTAL			11	14

(1) WIDTH =  $W_D$

Designer NOTES:  
 1. Designer to modify this Special Detail Sheet, as needed for inclusion in plans.  
 2. (\*) Designer to specify pay item including material, quality, and gradation.  
 3. (\*\*) Designer to specify thickness of bedding material.  
 4. Include District Special Provision if needed.

PLOT DATE: 12/2/2009 FILE NAME: 070373-sh1-d1s-tr-ict44stda.dgn

All slope ratios are expressed as units of vertical displacement to units of horizontal displacement (V:H).  
 All dimensions are in inches (millimeters) unless otherwise noted.

ILLINOIS DEPARTMENT OF TRANSPORTATION  
 SPECIAL DETAIL SHEET

RIPRAP DITCH FOR  
 EROSION PROTECTION

CADD DETAIL 281001-D4 DRAWN BY CADD  
 SCALE: NOT DRAWN TO SCALE CHECKED BY

DATE	REVISIONS	BY
1-1-97	RENUM. A-12.02, NEW REVISION BOX	T.P.
12-1-97	CORRECT FILTER FABRIC LEADER ARROW	J.A.
10-16-06	REVISED TO 2007 SPEC.	M.A.