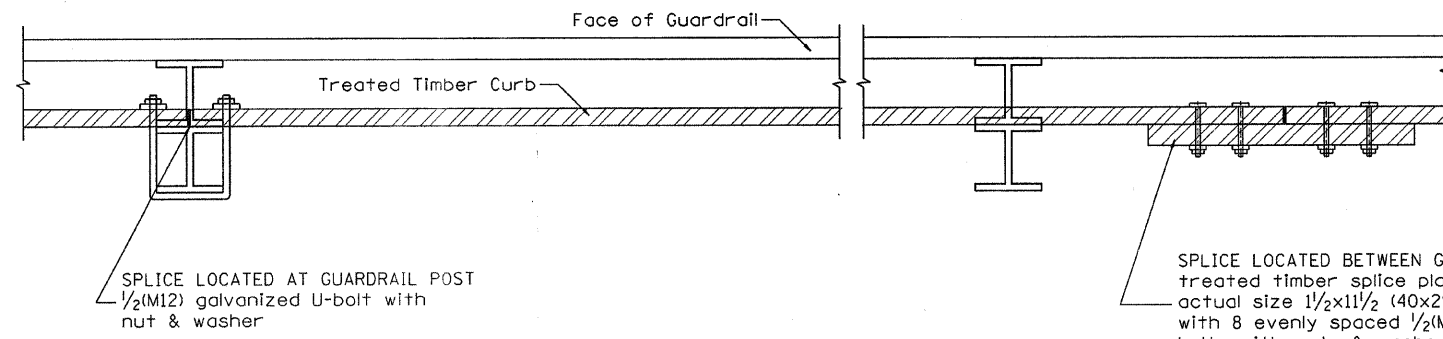
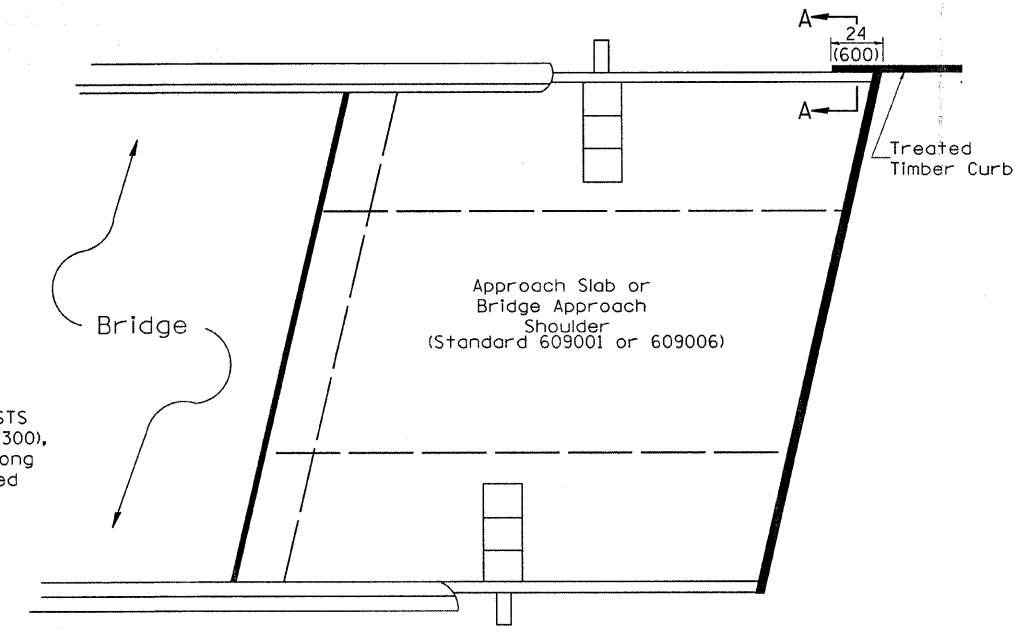


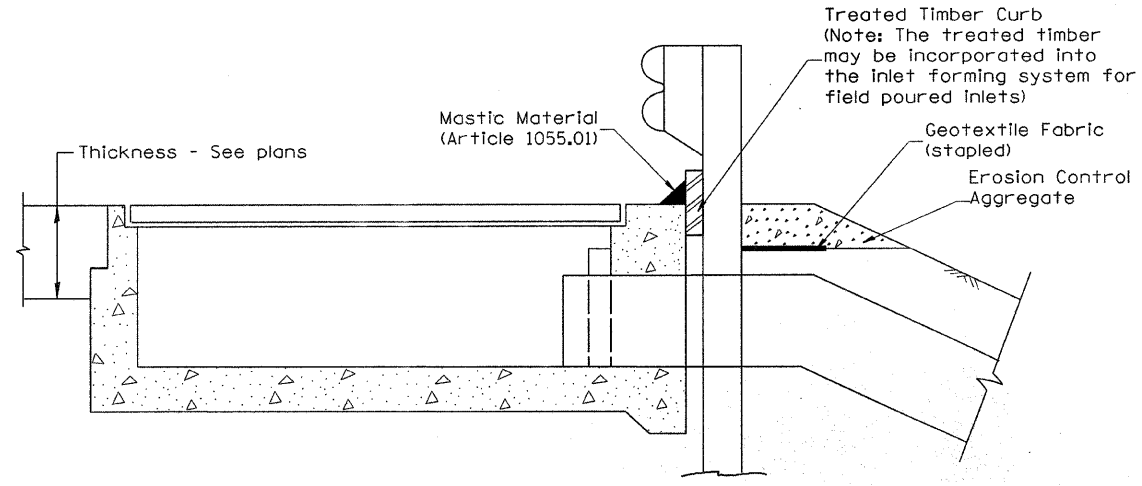
T.R.	SECTION	COUNTY	TOTAL SHEETS	SHEET NO.
50	05-08145-00-BR	WOODFORD	47	47
STA.		TO STA.		
FED. ROAD DIST. NO.		ILLINOIS FED. AID PROJECT		
CONTRACT NO. 89448				



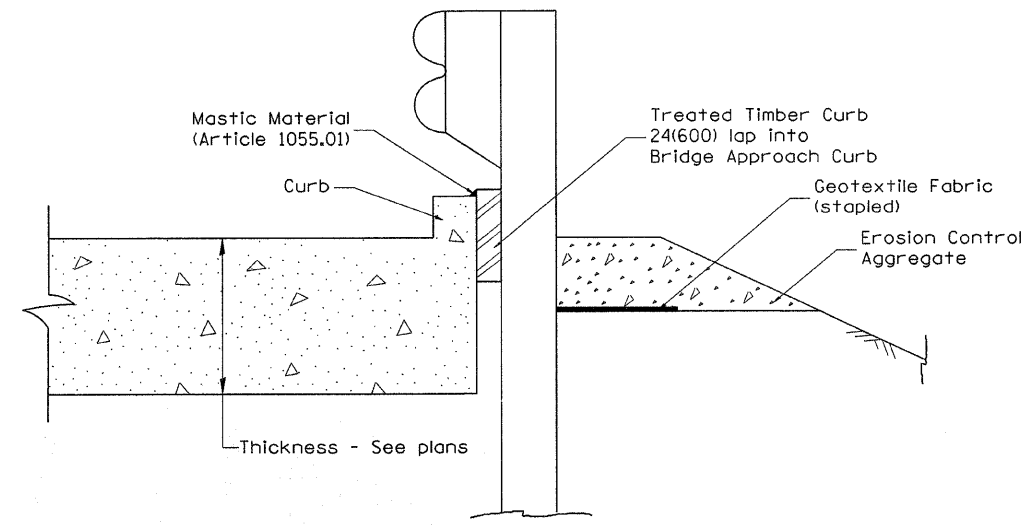
DETAIL A
(Typical Treated Timber Splices)



PLAN VIEW
APPROACH SLAB OR BRIDGE APPROACH SHOULDER
(STANDARD 609001 or 609006)



TYPICAL SECTION WITH EROSION CONTROL CURB
AT INLETS TYPE E & F (STANDARD 610001)



SECTION A-A
TYPICAL SECTION WITH EROSION CONTROL CURB
AT BRIDGE APPROACH CURB
(STANDARD 609001 OR 609006)

All dimensions are in inches (millimeters) unless otherwise noted.

ILLINOIS DEPARTMENT OF TRANSPORTATION	
DISTRICT CADD STANDARD	
GUARDRAIL EROSION CONTROL TREATMENTS	
CADD STD NO. 630101-D4(2)	SHEET 2 OF 2
SCALE: NOT DRAWN TO SCALE	DRAWN BY CADD
	CHECKED BY

630101-D4(2)

PLOT DATE : 2/2/2009 FILE NAME : 070373-shr-district4stds.dgn