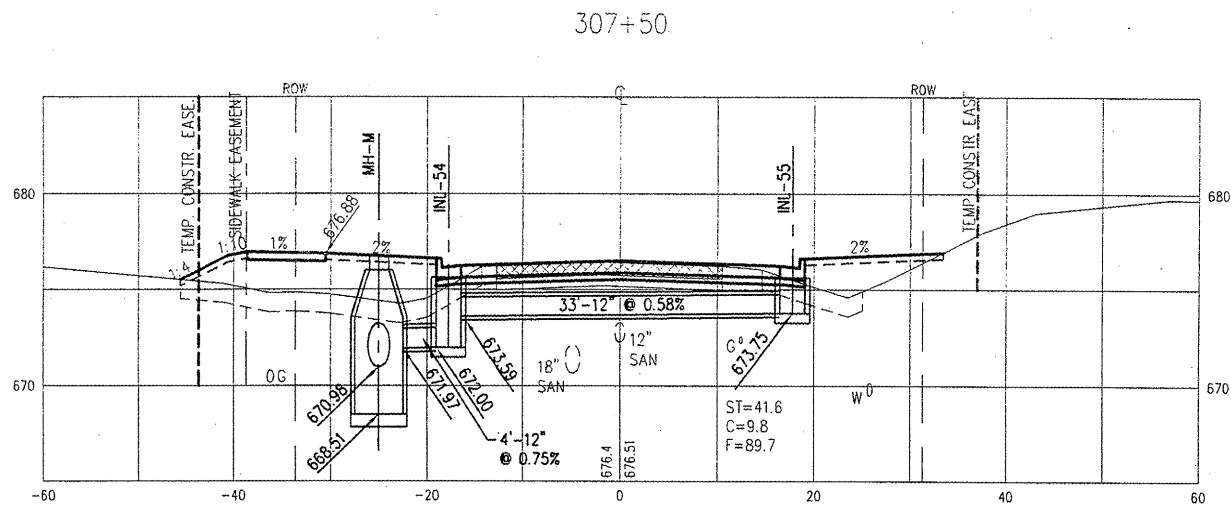
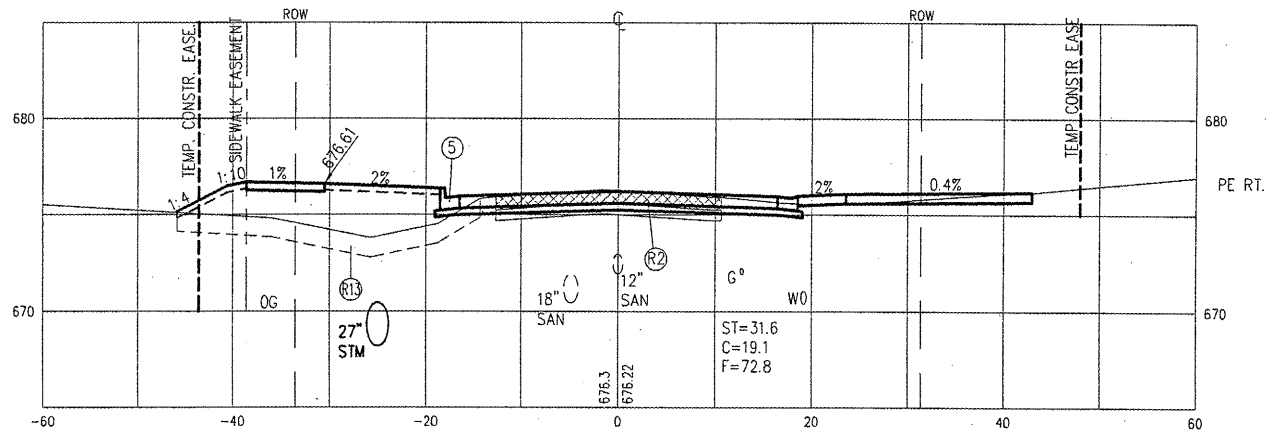


**LEGEND**

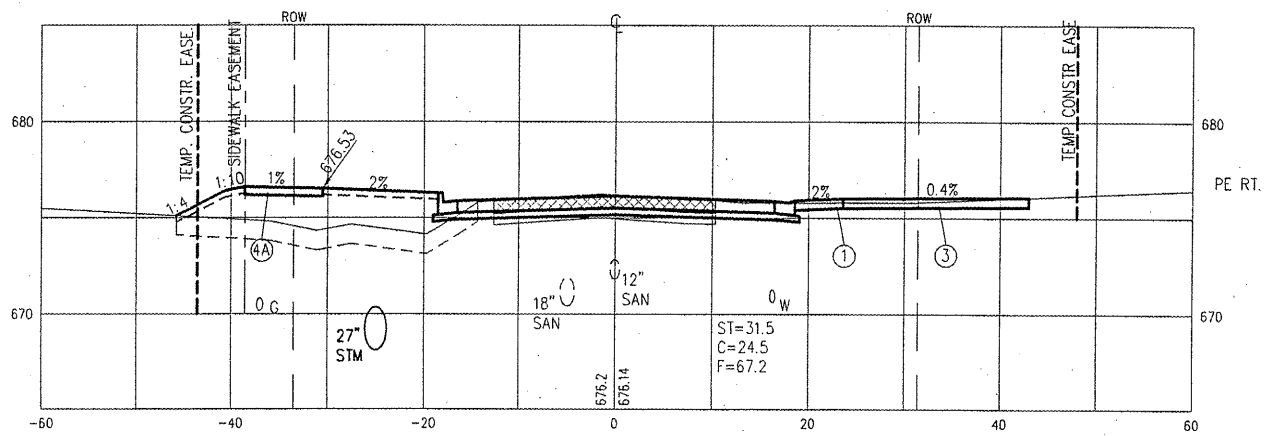
- |                                        |                                                |                                    |
|----------------------------------------|------------------------------------------------|------------------------------------|
| ① PCC DRIVEWAY PAVEMENT, 6"            | ④A PCC SIDEWALK 5"                             | Ⓡ1 DRIVEWAY PAVEMENT REMOVAL       |
| ② PCC DRIVEWAY PAVEMENT, 7"            | ⑤ COMB. CONC. CURB & GUTTER, TYPE B6.18        | Ⓡ2 PAVEMENT REMOVAL                |
| ③ AGGREGATE SURFACE COURSE, TYPE A, 6" | ⑧ AGGREGATE SURFACE COURSE, TYPE A, 8"         | Ⓡ3 BRICK SIDEWALK REMOVAL          |
| ④ PCC SIDEWALK, 4"                     | ⑨ POROUS GRANULAR EMBANKMENT                   | Ⓡ4 CONCRETE SIDEWALK REMOVAL       |
|                                        | ⑩ GEOTECHNICAL FABRIC FOR GROUND STABILIZATION | Ⓡ5 CURB AND GUTTER REMOVAL         |
|                                        |                                                | Ⓡ13 REMOVAL OF UNSUITABLE MATERIAL |



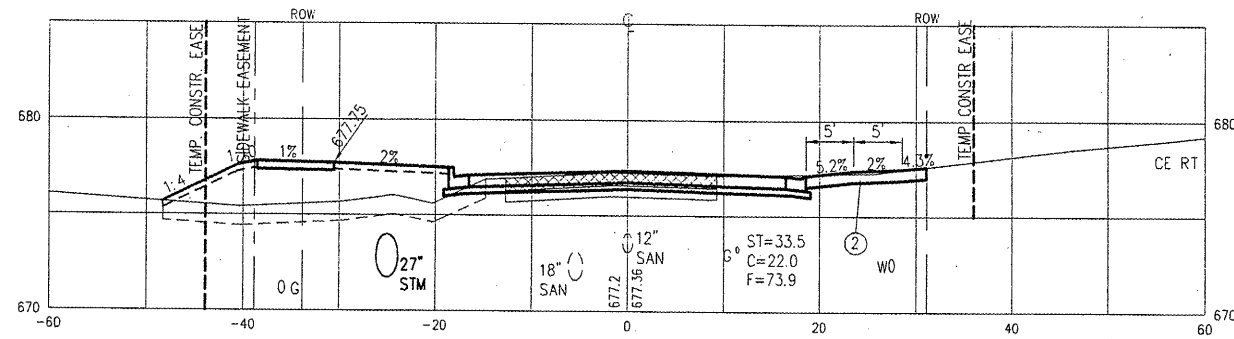
307+12



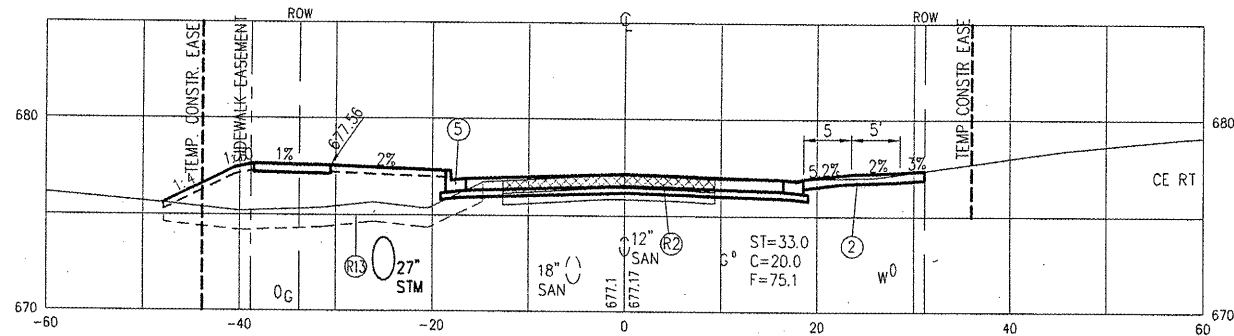
307+00



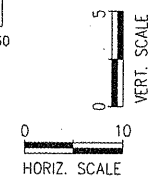
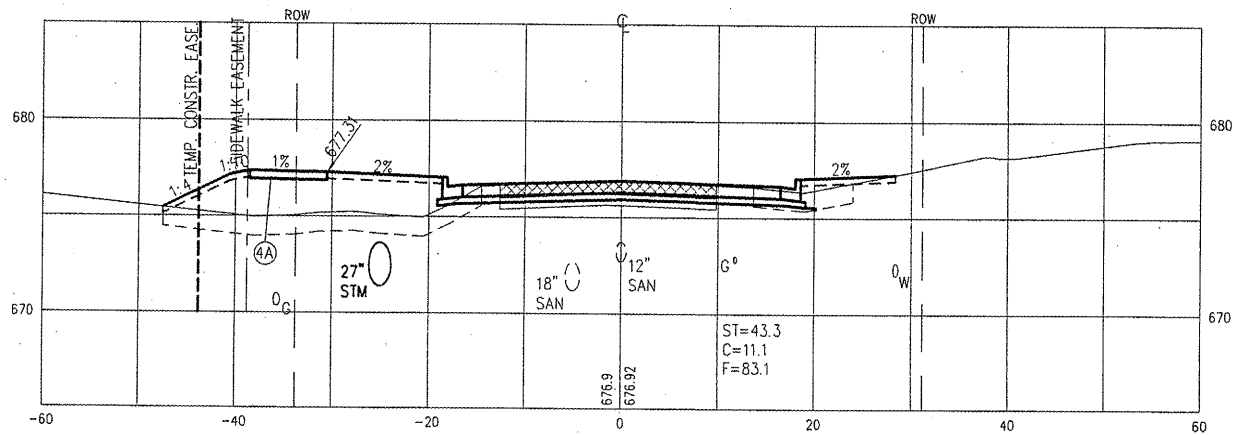
308+39



308+24



308+00



**McClure**  
Engineering Associates, Inc.  
Macomb, Illinois 61455  
13091 East Jackson Street  
13091 833-4594  
FAX 13091 837-4509  
Design: Jim License #084-000816 Copyright 2008 by McClure Engineering Associates, Inc.

PLOTTING SCALE: 1" = 10'  
DRAWN BY: TAB  
CHECKED BY: JAR  
DATE: OCTOBER 2008

NO.	REVISIONS	DATE

**WARD STREET IMPROVEMENTS**  
**CROSS SECTIONS - STA. 3307+00 TO 308+39**  
CITY OF MACOMB  
SOUTH WARD ST.  
FILE NAME: \\MACOMB\WARDST\WARD-ST-2007-A-SEC  
FIELD BOOK No. 2257 JOB NUMBER: 01-28-08088  
MACOMB, ILLINOIS