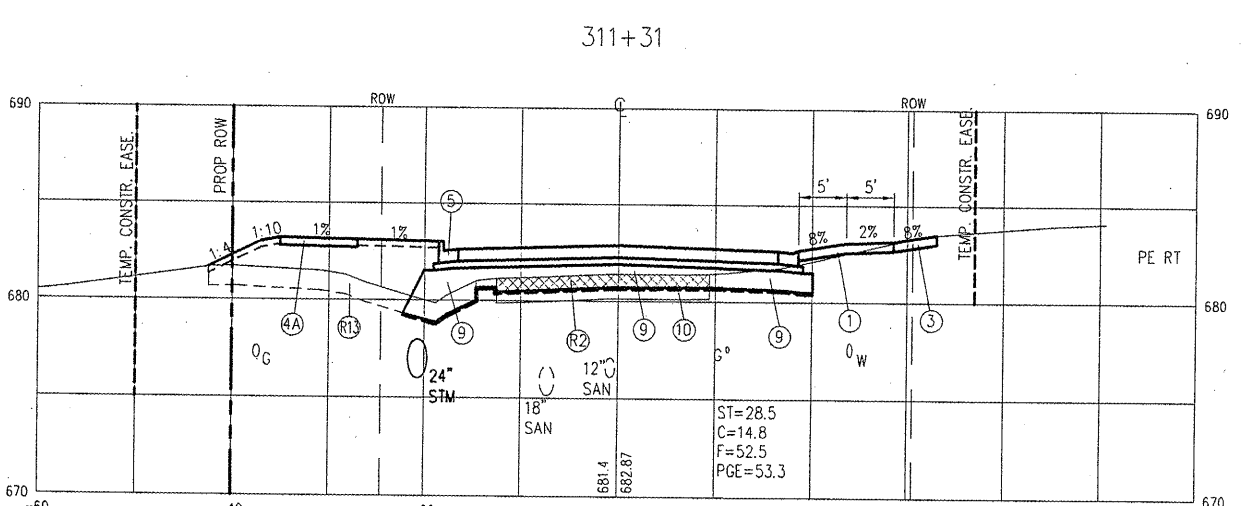
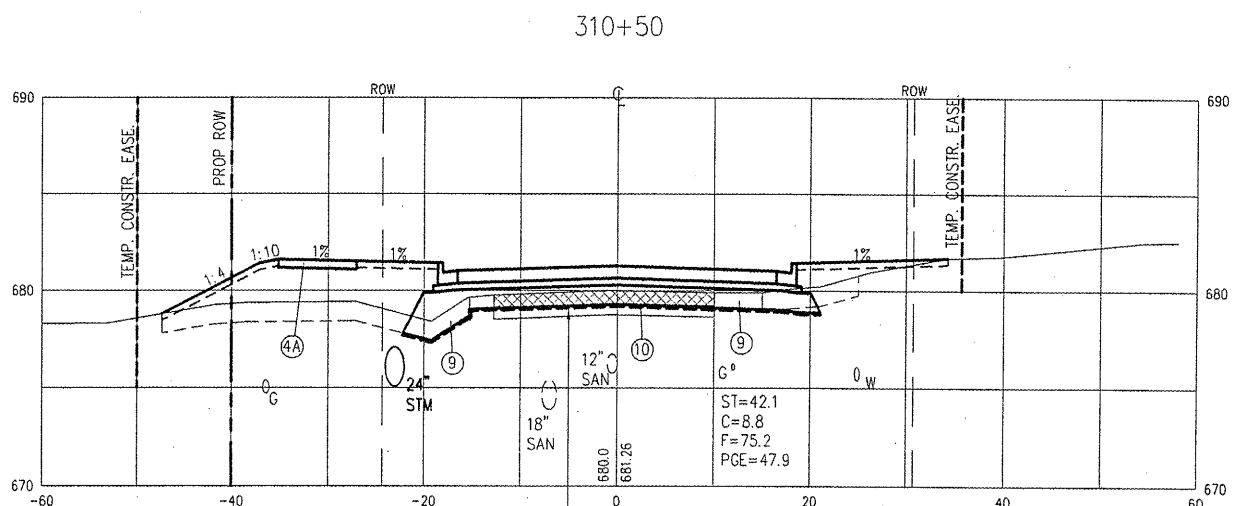
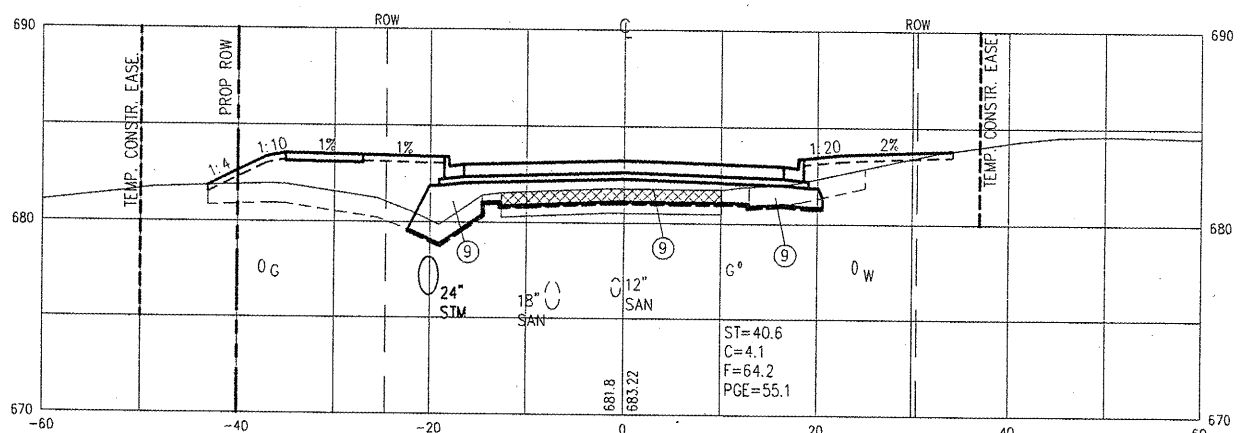
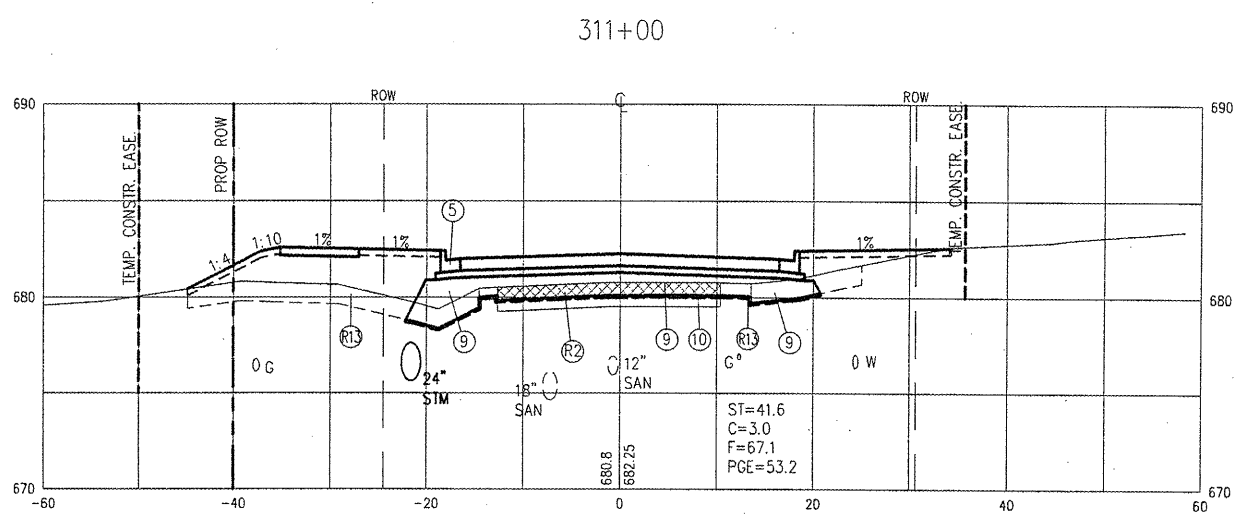
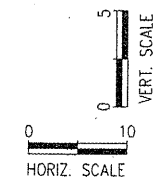


OVEREXCAVATE 12" MIN AND REPLACE WITH POROUS GRANULAR EMBANKMENT AND GEOTECHNICAL FABRIC OR AS DIRECTED BY THE ENGINEER



OVEREXCAVATE 12" MIN AND REPLACE WITH POROUS GRANULAR EMBANKMENT AND GEOTECHNICAL FABRIC OR AS DIRECTED BY THE ENGINEER



NO.	REVISIONS	DATE

NO.	ITEM	DATE

WARD STREET IMPROVEMENTS
CROSS SECTIONS - STA. 310+50 TO 311+77
 CITY OF MACOMB

SOUTH WARD ST.
 FILE NAME: \\MACOMB\WARDST\WARD-ST-2007-1-SEC
 FIELD BOOK No. 2257 JOB NUMBER: 01-26-08098
 MACOMB, ILLINOIS