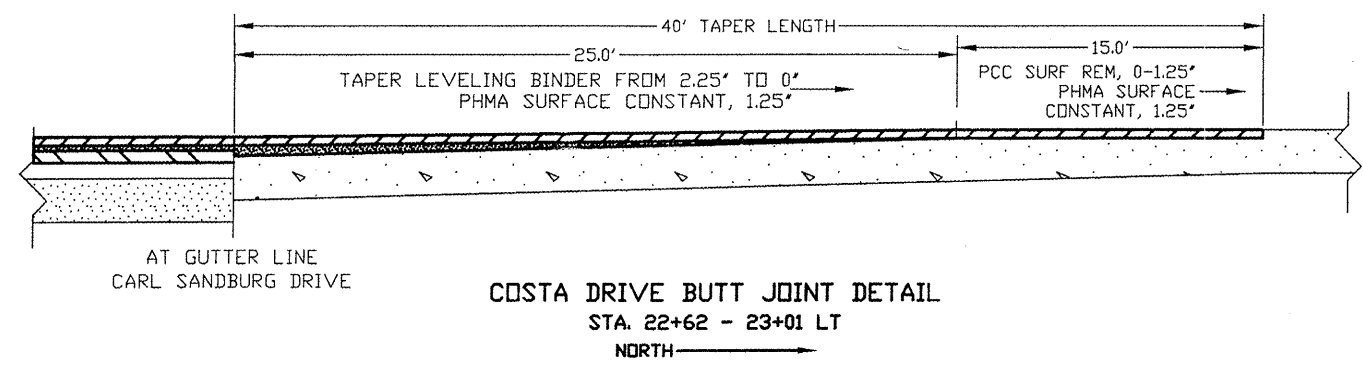
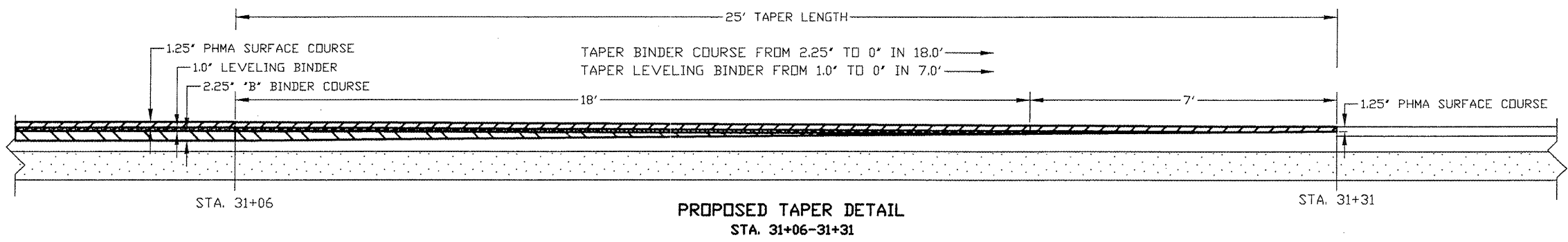
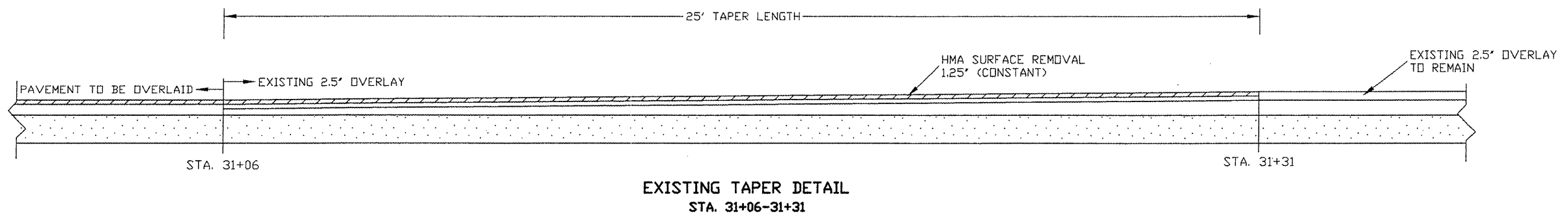
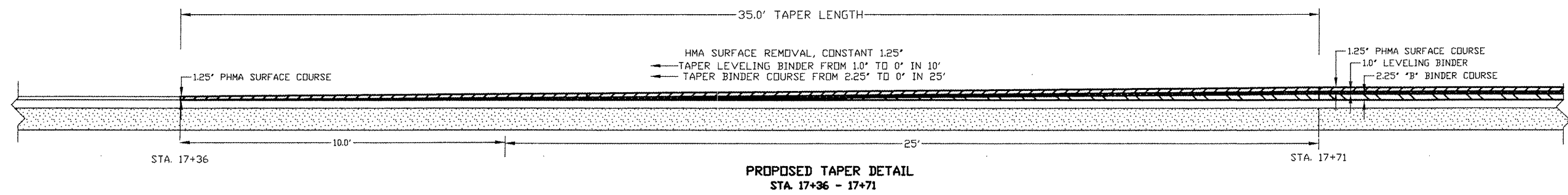


CONTRACT #	SECTION #	TOTAL SHEETS	SHEET NO.
89517	08-00700-12-RS	10	4



BUTT JOINT DETAILS

CARL SANDBURG DRIVE
SECTION # 08-00700-12-RS

