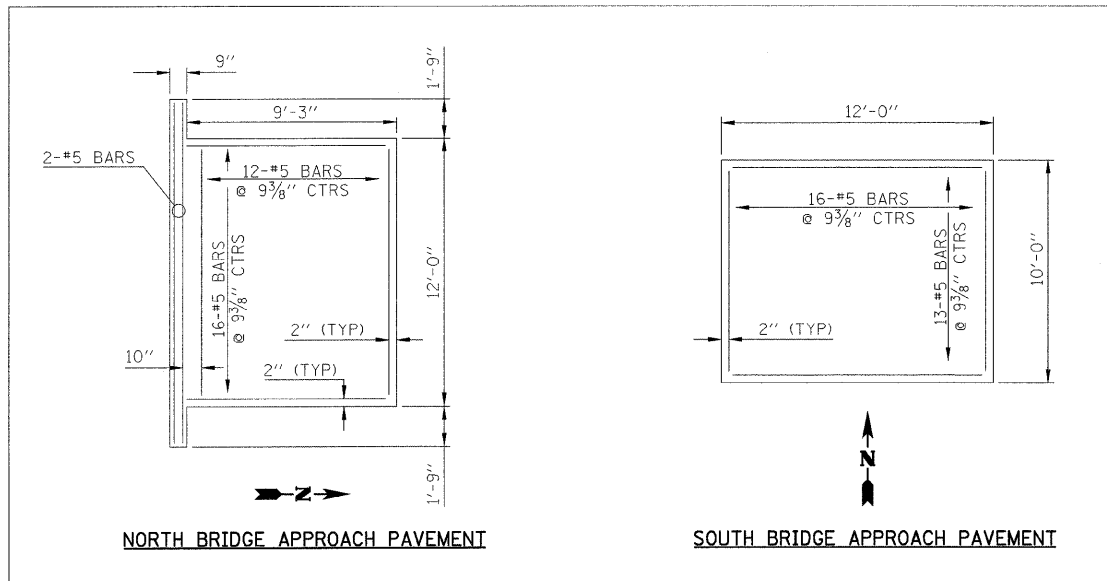
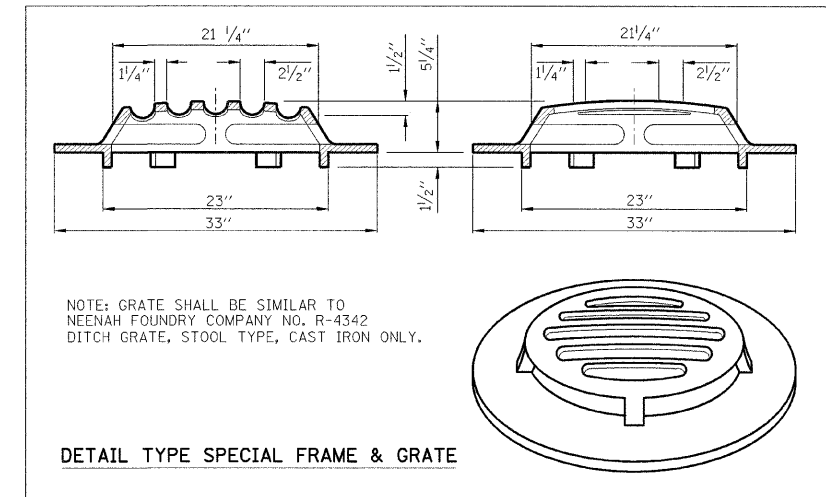
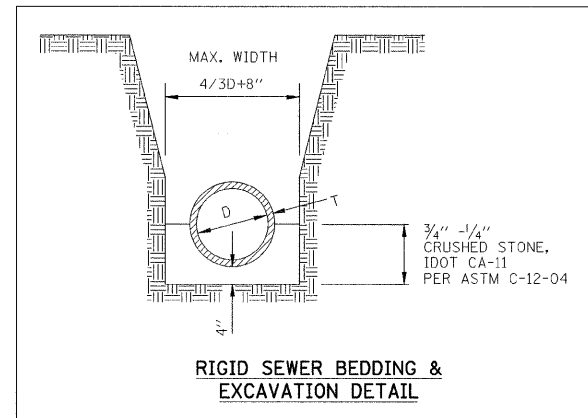
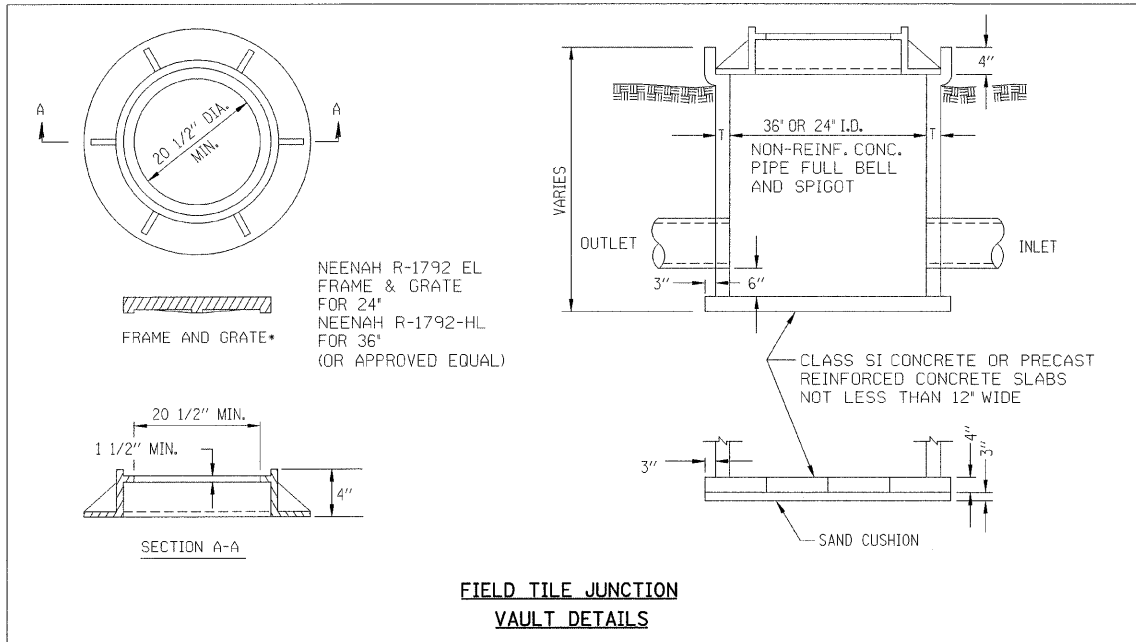
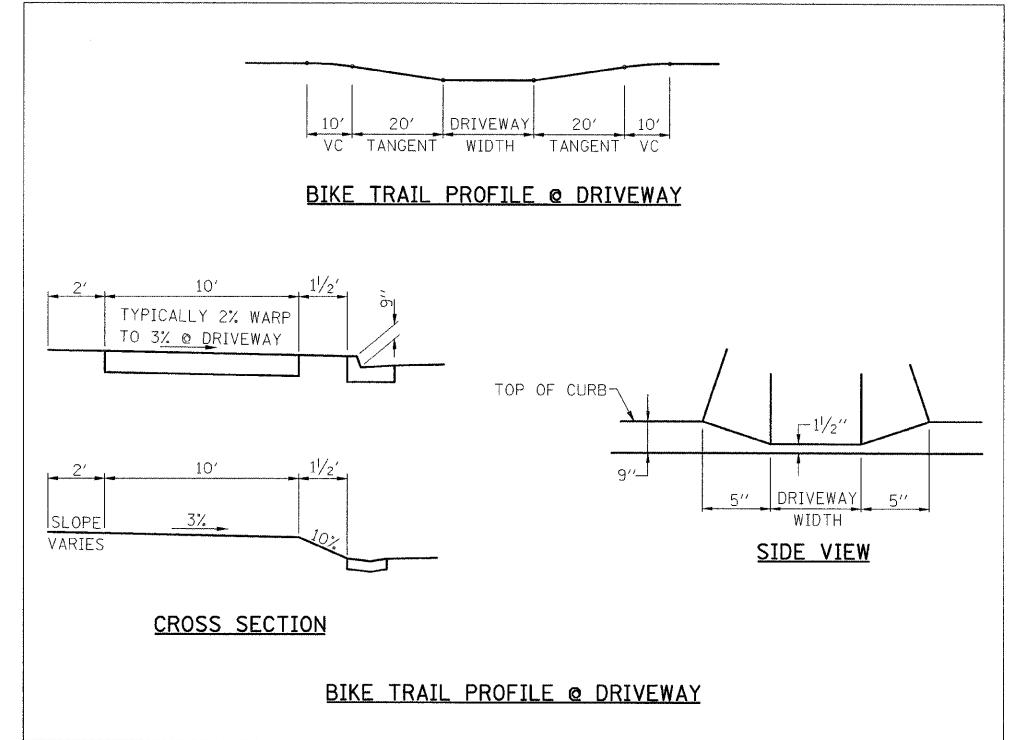
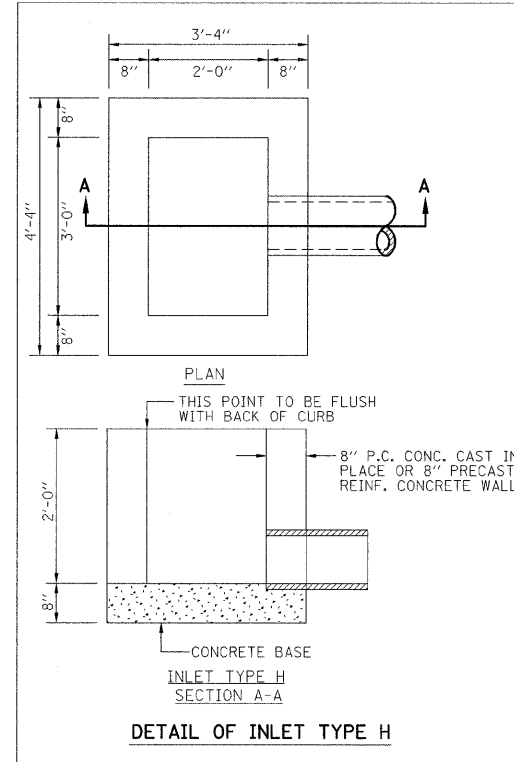
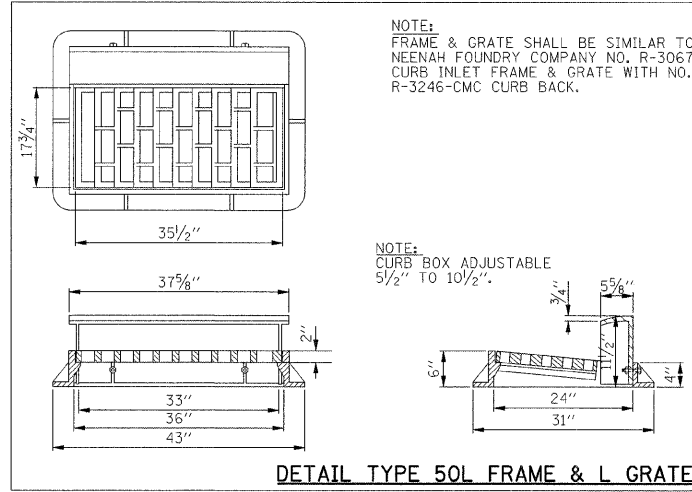
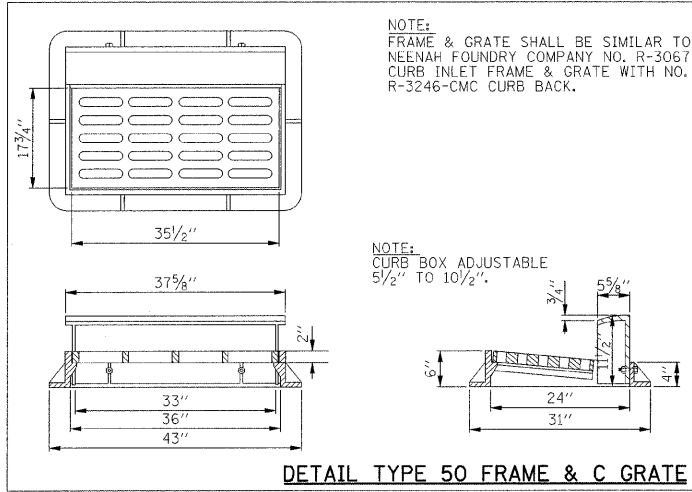


F.A.U. RTE.	SECTION	COUNTY	TOTAL SHEETS	SHEET NO.
	05-00333-00-BT	McLEAN	56	37
STA.		TO STA.		
FED. ROAD DIST. NO.		ILLINOIS FED. AID PROJECT		



CITY OF BLOOMINGTON, ILLINOIS
MFT SECTION 05-00333-00-BT

MISCELLANEOUS DETAILS

DRAWN BY DRR		FILE NO. 24-8173
DATE 01/30/09		ROOM NO. 2752
CHECKED BY PJM	8708 McGraw Drive Bloomington, Illinois 61704 309/852-5656, 309/858-1871 fax	SHEET NO. 37 OF 56

City of Bloomington, Illinois, 05-00333-00-BT, Miscellaneous, 1/30/09