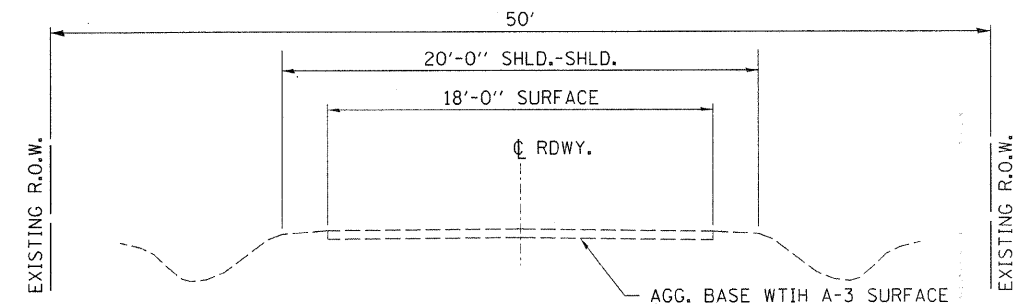
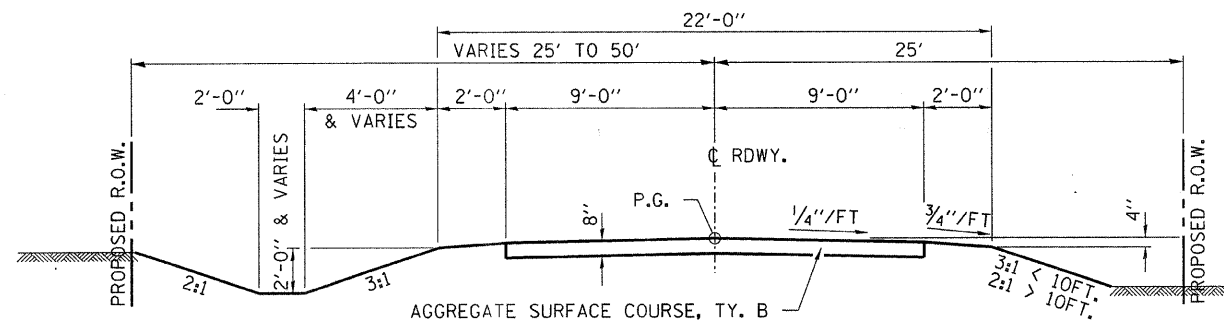


**EXISTING SIDEROAD CROSS SECTION (PARADISE LANE)**  
STA. 97+74.33 TO STA. 99+89.49



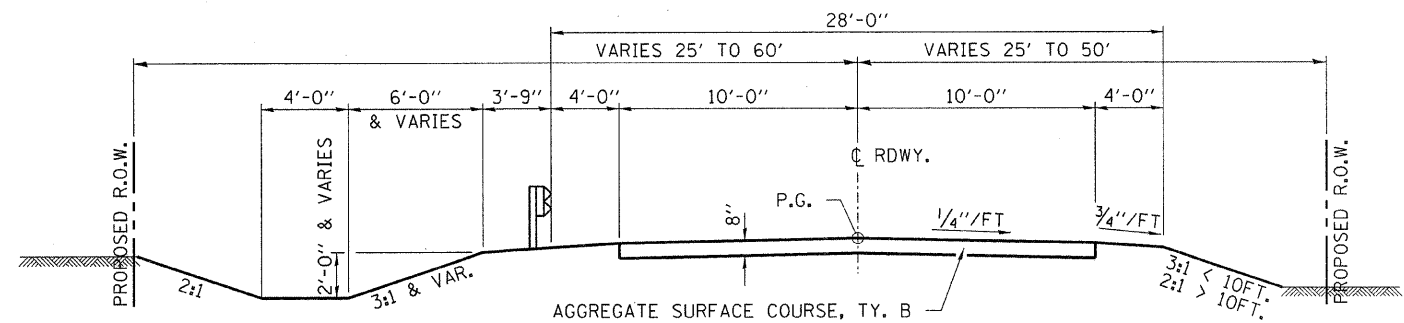
**EXISTING CROSS SECTION (TR 154)**  
STA. 2+00.00 TO STA. 17+50.00



SUGGESTED CUT SECTION  
CONSTRUCT AS SHOWN IN  
STATION CROSS SECTIONS

SUGGESTED FILL SECTION  
CONSTRUCT AS SHOWN IN  
STATION CROSS SECTIONS

**TYPICAL SIDEROAD CROSS SECTION (PARADISE LANE)**  
STA. 97+74.33 TO STA. 99+89.49

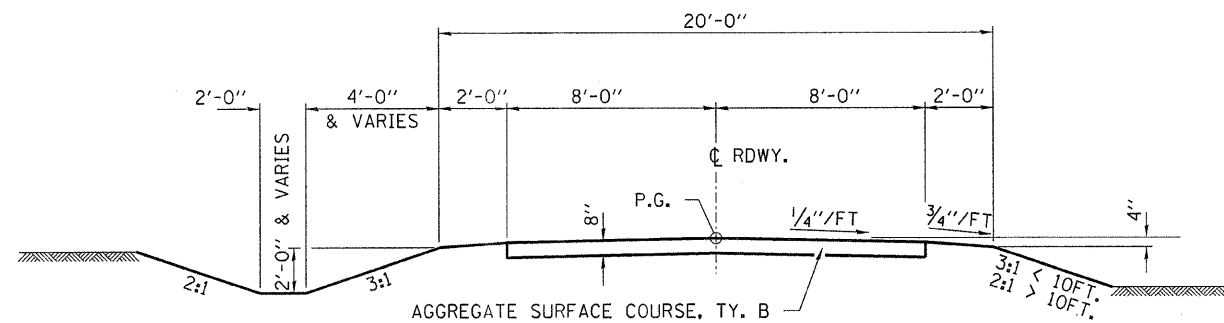


SUGGESTED CUT SECTION  
CONSTRUCT AS SHOWN IN  
STATION CROSS SECTIONS

SUGGESTED FILL SECTION  
CONSTRUCT AS SHOWN IN  
STATION CROSS SECTIONS

**TYPICAL CROSS SECTION (TR 154)**  
STA. 2+00 TO STA. 2+82.56  
STA. 6+19.99 TO STA. 8+00.49  
STA. 12+39.51 TO STA. 17+50.00

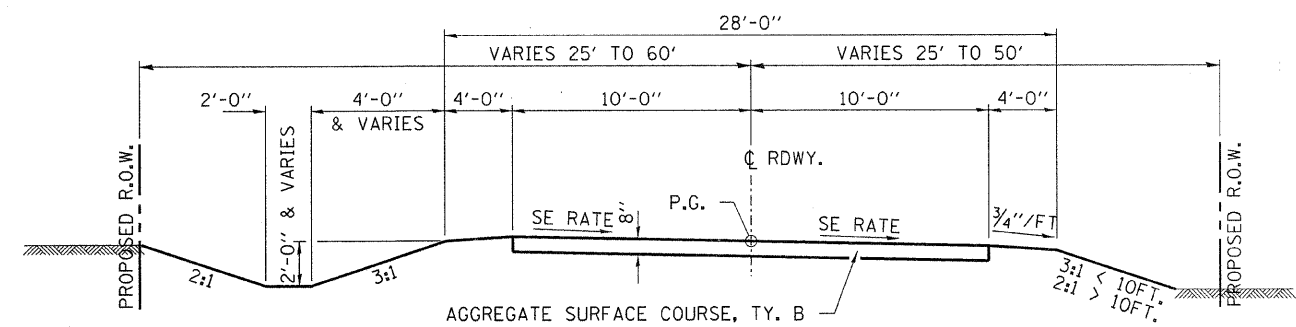
TRANSITION FROM THE PROPOSED ROADWAY TO THE EXISTING ROADWAY IS TO BE CONSTRUCTED FROM STA. 2+00 TO 2+50 AND STA. 17+00 TO 17+50. SEE SHEET 8 FOR TRANSITION AT BRIDGE.



SUGGESTED CUT SECTION  
CONSTRUCT AS SHOWN IN  
STATION CROSS SECTIONS

SUGGESTED FILL SECTION  
CONSTRUCT AS SHOWN IN  
STATION CROSS SECTIONS

**TYPICAL SIDEROAD CROSS SECTION (TEMPORARY SIDE ROAD)**  
STA. 197+27.34 TO STA. 199+93.81



SUGGESTED CUT SECTION  
CONSTRUCT AS SHOWN IN  
STATION CROSS SECTIONS

SUGGESTED FILL SECTION  
CONSTRUCT AS SHOWN IN  
STATION CROSS SECTIONS

**TYPICAL CROSS SECTION (TR 154)**  
STA. 2+82.56 TO STA. 6+19.99

FILE NAME = 75001-shr-tysections.dgn

USER NAME =  
PLOT SCALE =  
PLOT DATE = 12/24/2008

DESIGNED - L.F.S.  
DRAWN - W.J.S.  
CHECKED - S.W.M.  
DATE - 2/7/08

REVISED -  
REVISED -  
REVISED -  
REVISED -

STATE OF ILLINOIS  
PIATT COUNTY HIGHWAY DEPARTMENT

HLR HAMPTON, LENZINI & RENWICK, INC.  
CIVIL & STRUCTURAL ENGINEERS  
LAND SURVEYORS

TYPICAL SECTIONS

SCALE: SHEET NO. OF SHEETS STA. TO STA.

T.R.	SECTION	COUNTY	TOTAL SHEETS	SHEET NO.
154	03-06130-00-BR	PIATT	57	6
CONTRACT NO. 91385				
FED. ROAD DIST. NO. [ILLINOIS] FED. AID PROJECT				