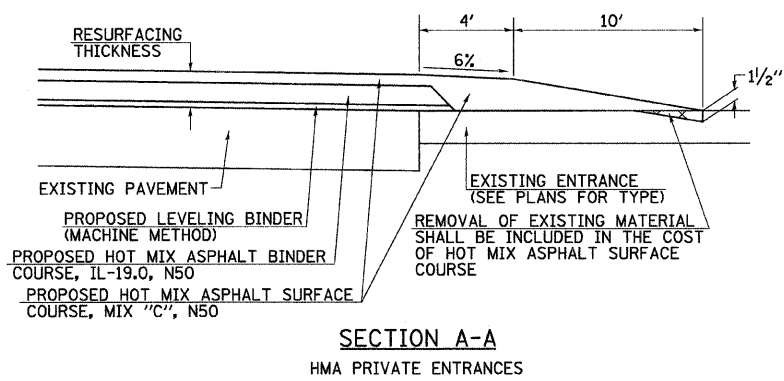
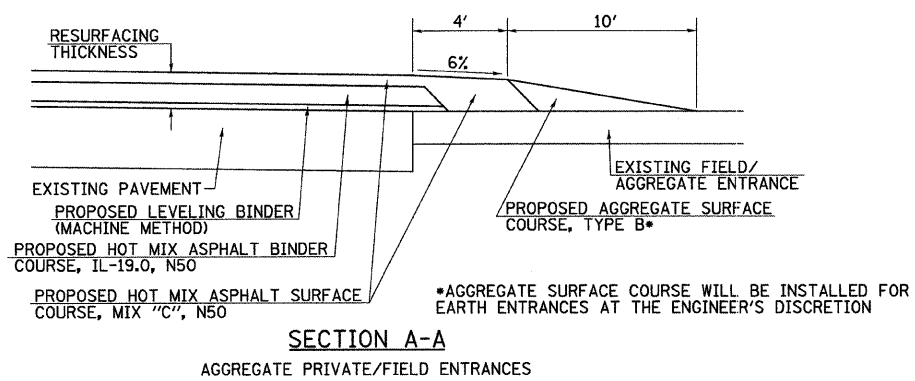
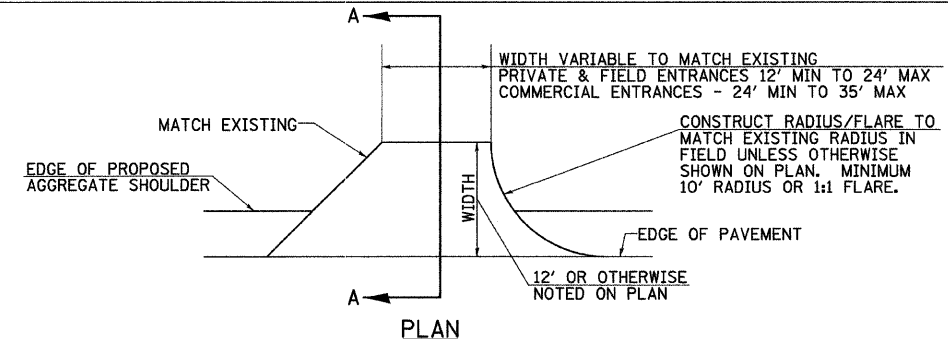
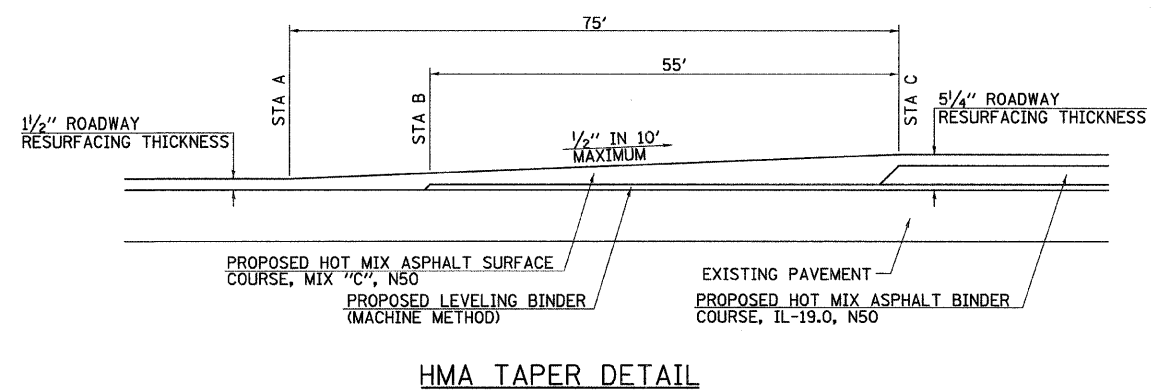
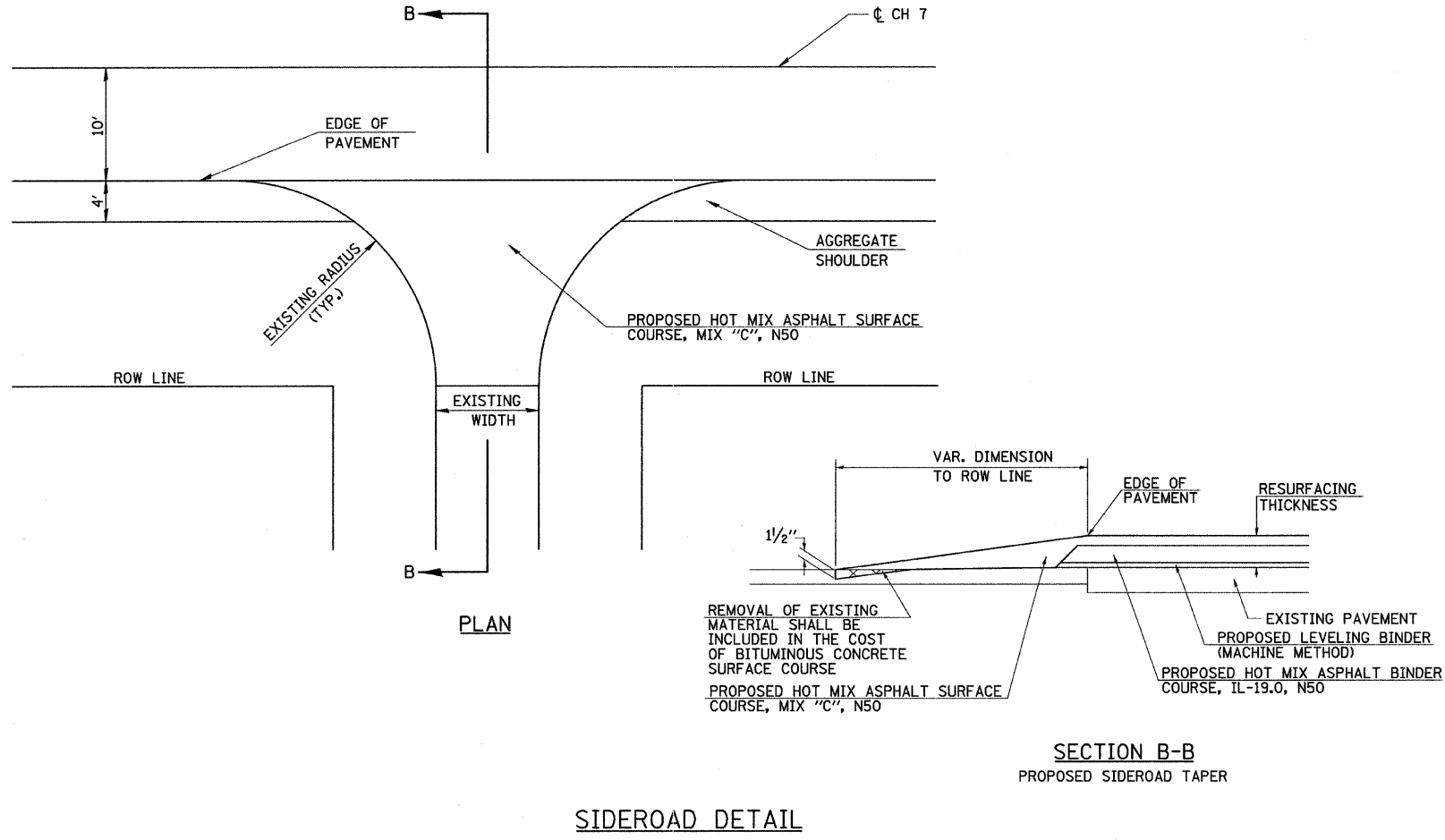
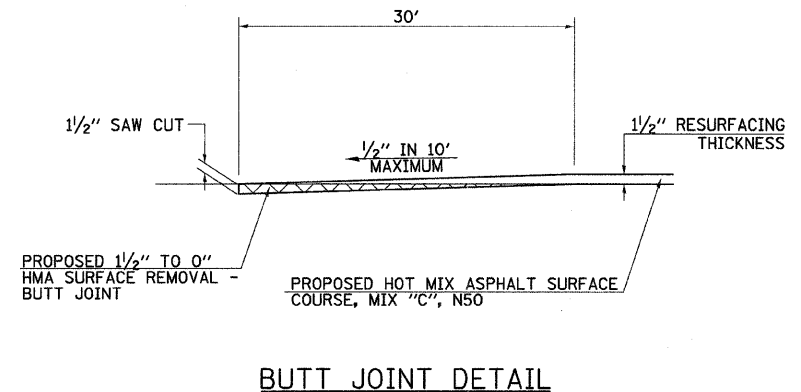


F.A.S. RTE.	SECTION	COUNTY	TOTAL SHEETS	SHEET NO.
608	97-00043-01-FP	SCOTT	17	17
STA.		TO STA.		
FED. ROAD DIST. NO.	ILLINOIS PROJECT NO. SR-0608109			



ENTRANCE TAPERS



STA A	STA B	STA C
11+42.06	11+62.06	12+17.06
263+08.00	262+88.00	262+33.00

REVISIONS	
NAME	DATE

ILLINOIS DEPARTMENT OF TRANSPORTATION

COUNTY HIGHWAY 7
SPECIAL DETAILS

SCALE: DATE: JANUARY, 2009

DRAWN BY: CHECKED BY:

PLOT DATE = 3/2/2009
FILE NAME = V:\2438\COMBINED PLANS\2438D001.dgn
PLOT SCALE = 4/32000 1/4" = 1'-0"
USER NAME = fborngman