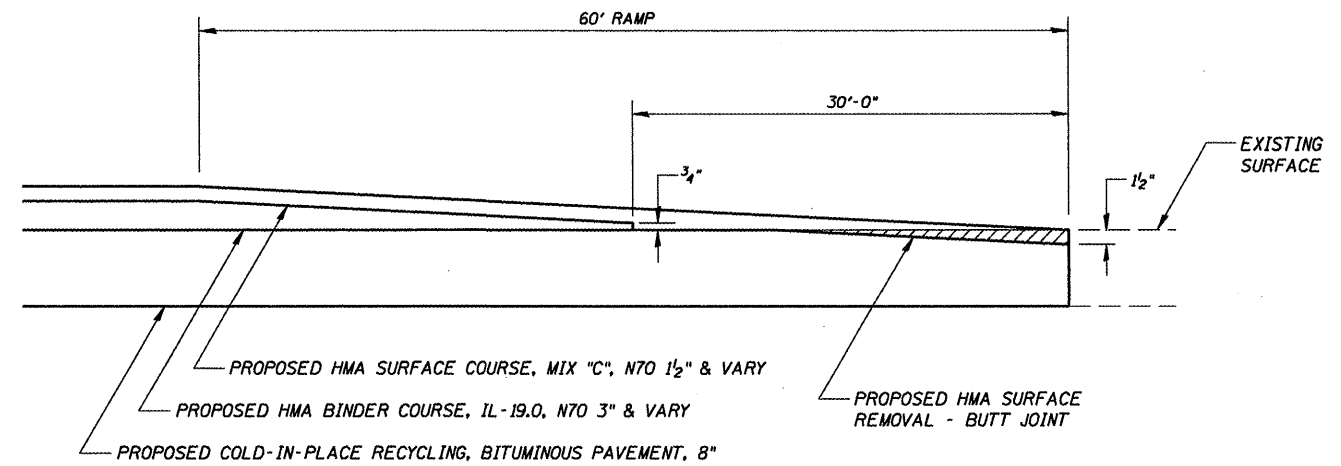


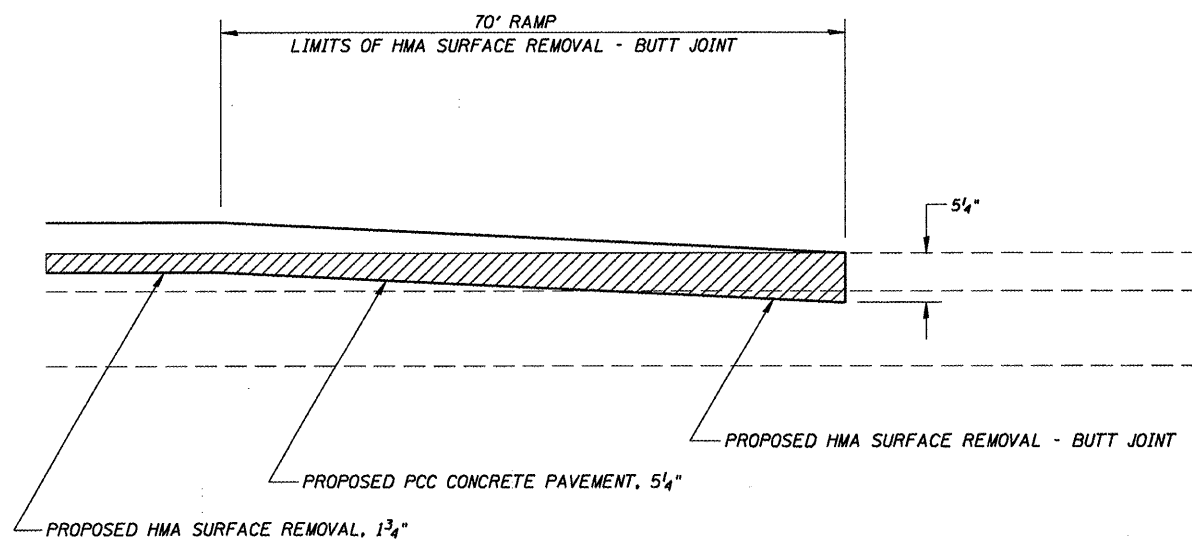
**BUTT JOINT DETAIL - 600TH ST**

STA 100+00 TO STA 100+40  
STA 123+78.69 TO STA 124+18.69



**BUTT JOINT DETAIL - 800TH AVE**

STA 156+08.79 TO STA 156+68.79  
STA 208+66.76 TO STA 209+26.76



**BUTT JOINT DETAIL - CH 10**

STA 111+73.67 TO STA 112+43.67  
STA 346+11.29 TO STA 346+81.29  
STA 348+12.29 TO STA 348+82.29  
STA 557+78.00 TO STA 558+48.00

**BUTT JOINTS**

		RAMP LENGTH FOOT	HMA SURFACE REMOVAL LENGTH FOOT	TAPER THICKNESS INCH	WIDTH FOOT	REMOVAL DEPTH AT BUTT JOINT INCH	HMA SURFACE REMOVAL - BUTT JOINT SQ YD	TEMPORARY RAMP SQ YD
<b>600TH ST</b>								
STA 100+00.00	TO STA 100+40.00	40	40	2	24	2	106.67	17.8
STA 123+78.69	TO STA 124+18.69	40	40	2	24	2	106.67	17.8
<b>ENTRANCES</b>							91.11	
							304.45	35.6
<b>800TH AVE</b>								
STA 156+08.79	TO STA 156+68.79	60	30	2	24	1.5	80.00	17.8
STA 208+66.76	TO STA 209+26.76	60	30	1.5	24	1.5	"	**
							80.00	17.80
<b>CH 10</b>								
STA 111+73.67	TO STA 112+43.67	70	70	3.5	32	5.25	248.89	**
STA 346+11.29	TO STA 346+81.29	70	70	3.5	32	5.25	248.89	**
STA 348+12.29	TO STA 348+82.29	70	70	3.5	32	5.25	248.89	**
<b>ENTRANCES &amp; SIDE ROADS</b>							619.41	
<b>TOTAL</b>							1366.08	

\* CONSTRUCTION OF BUTT JOINT INCLUDED IN FULL DEPTH RECYCLING OF FLEXIBLE PAVEMENT  
\*\* CONSTRUCT WITH ROAD CLOSED TO TRAFFIC

CUMMINS  
ENGINEERING  
CORPORATION

JOB = 2217  
FILE NAME = 2217details.dgn  
PLOT SCALE = 40.0000 / IN.  
PLOT DATE = 2/6/2009

DESIGNED - NAK  
DRAWN - AJH  
CHECKED - NAK  
DATE - 11/03/2008

REVISED -  
REVISED -  
REVISED -  
REVISED -

LOGAN COUNTY  
CH 10, TR 199A, TR 92 IMPROVEMENTS

BUTT JOINT DETAILS

F.A.S. RTE.	SECTION	COUNTY	TOTAL SHEETS	SHEET NO.
566	05-00113-00-WR	LOGAN	63	7
CH 10, TR 199A, TR 92			CONTRACT NO.	
FED. ROAD DIST. NO.			ILLINOIS FED. AID PROJECT	

93482