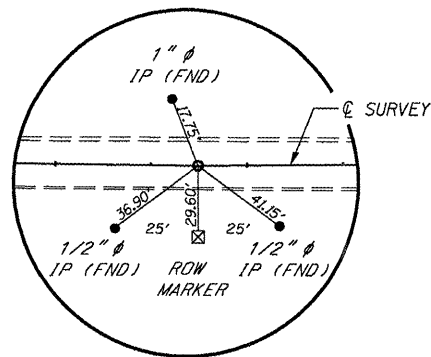
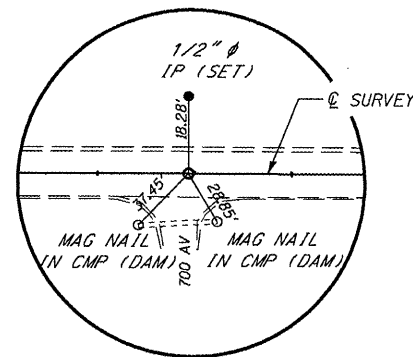


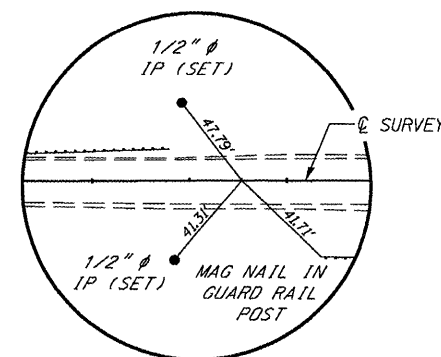
P.I. STA 109+95.70
MAG NAIL (SET)



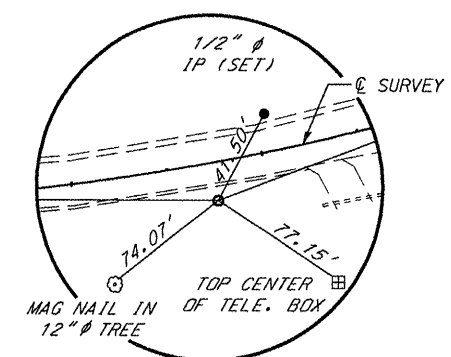
P.I. STA 162+74.58
IRON PIN (FOUND)



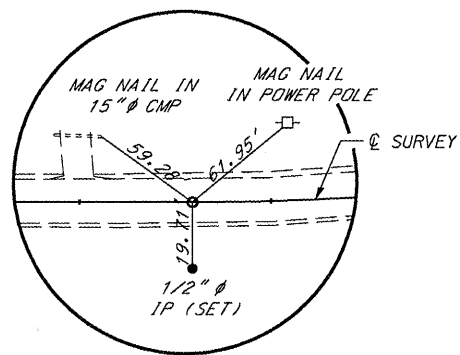
P.O.T. STA 215+46.86
MAG NAIL (SET)



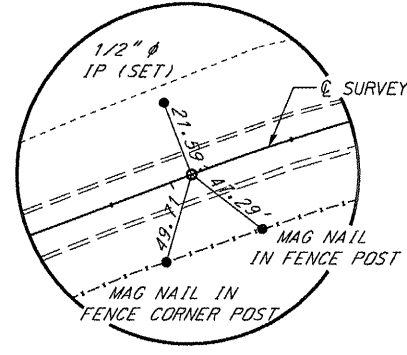
P.I. STA 187+76.87
MAG NAIL (SET)



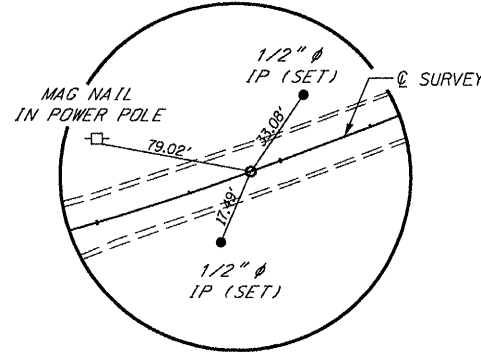
P.I. STA 226+71.37
1/2" IRON PIN (SET)



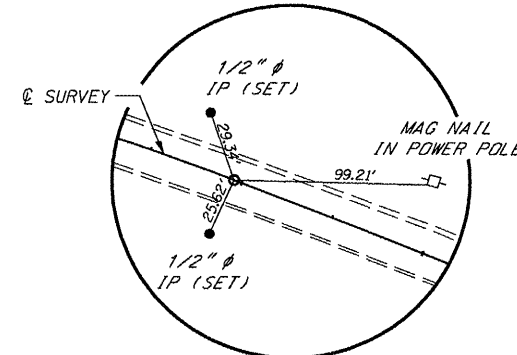
P.C. STA 224+58.96
MAG NAIL (SET)



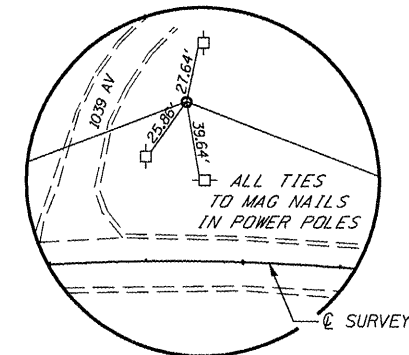
P.C. STA 232+44.81
MAG NAIL (SET)



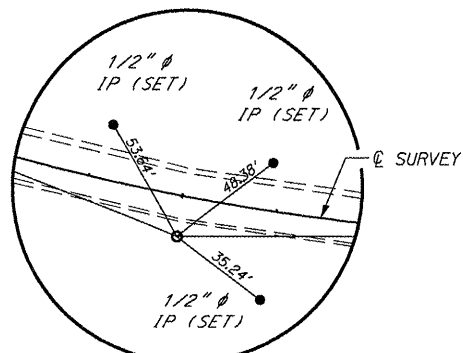
P.T. STA 228+83.78
MAG NAIL (SET)



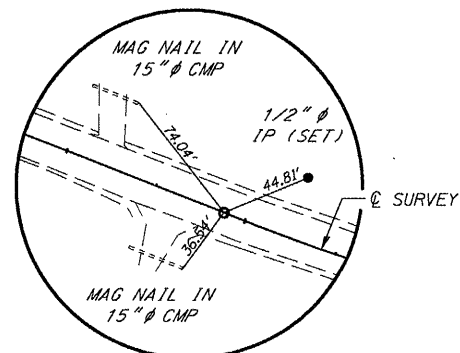
P.T. STA 240+96.43
MAG NAIL (SET)



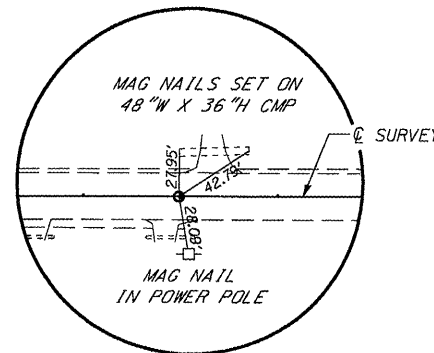
P.I. STA 236+70.62
IRON PIN (FOUND)



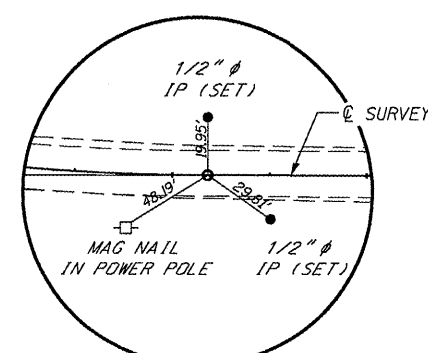
P.I. STA 246+04.45
IRON PIN (SET)



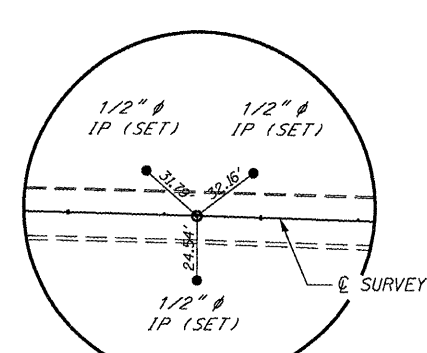
P.C. STA 243+89.63
MAG NAIL (SET)



P.O.T. STA 270+11.75
RR SPIKE (FOUND)



P.T. STA 248+19.27
MAG NAIL (SET)



P.I. STA 317+66.95
MAG NAIL (SET)

CUMMINS
ENGINEERING
CORPORATION

JOB = 2217
FILE NAME = 2217cross.ties.dgn
PLOT SCALE = 100.0000 s/f / IN.
PLOT DATE = 1/28/2009

DESIGNED - NAK
DRAWN - AJH
CHECKED - NAK
DATE - 11/21/2008

REVISED -
REVISED -
REVISED -
REVISED -

LOGAN COUNTY
CH 10, TR 199A, TR 92

CROSS TIES

F.A.S. RTE.	SECTION	COUNTY	TOTAL SHEETS	SHEET NO.
566	05-00113-00-WR	LOGAN	63	14
CONTRACT NO.				
FED. ROAD DIST. NO. ILLINOIS FED. AID PROJECT				