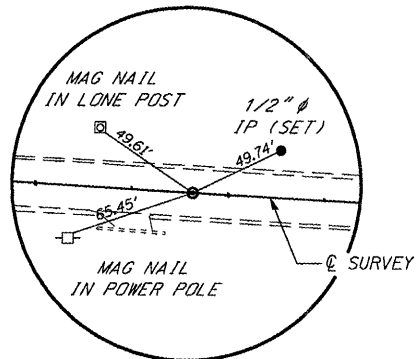
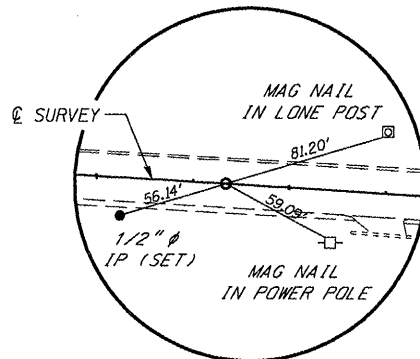


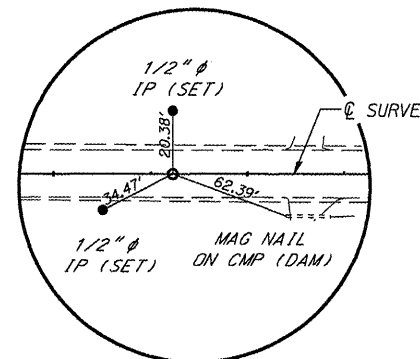
**P.C. STA 312+66.96**  
**MAG NAIL (SET)**



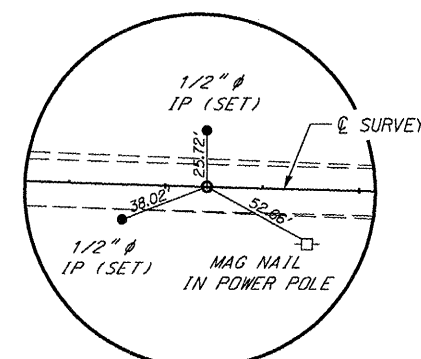
**P.C. STA 323+81.51**  
**MAG NAIL (SET)**



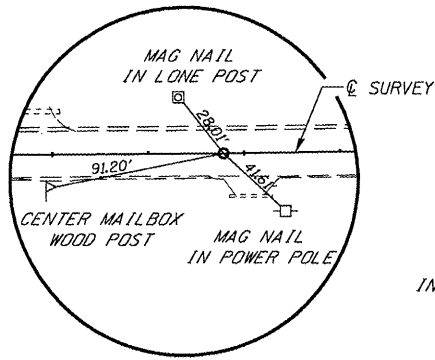
**P.T. STA 322+66.94**  
**MAG NAIL (SET)**



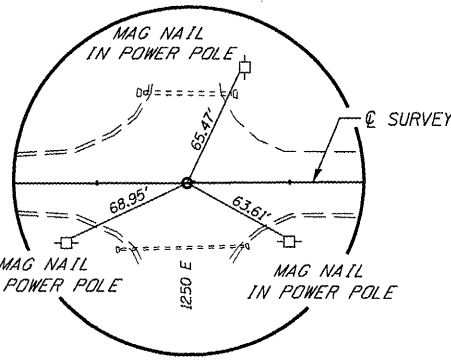
**P.T. STA 334+61.50**  
**MAG NAIL (SET)**



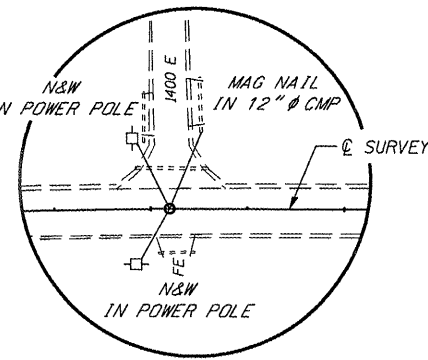
**P.I. STA 329+21.50**  
**MAG NAIL (SET)**



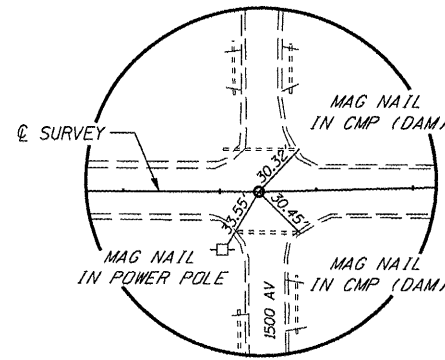
**P.I. STA 373+89.34**  
**BOLT (FOUND)**



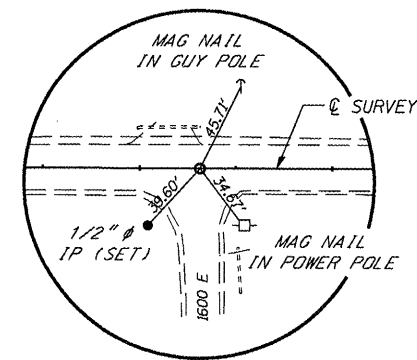
**P.I. STA 347+46.33**  
**MAG NAIL (FOUND)**



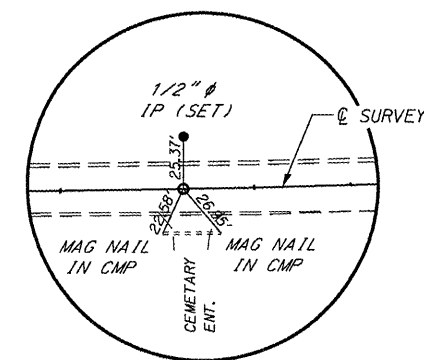
**P.I. STA 427+09.83**  
**MAG NAIL (SET)**



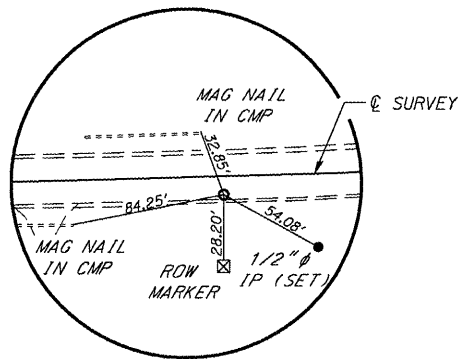
**P.I. STA 480+20.38**  
**MAG NAIL (FOUND)**



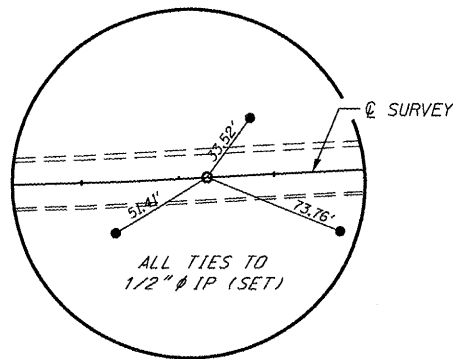
**P.I. STA 533+31.34**  
**RR SPIKE (FOUND)**



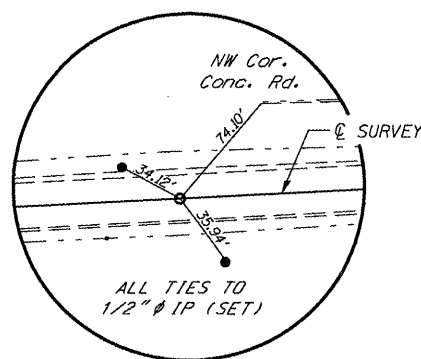
**P.C. STA 543+63.51**  
**MAG NAIL (SET)**



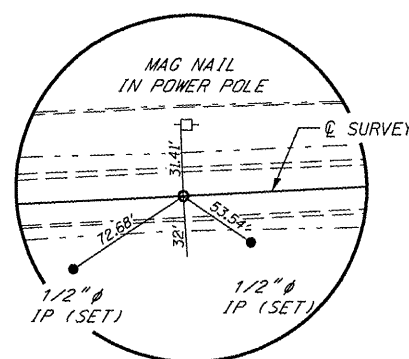
**P.I. STA 544+64.18**



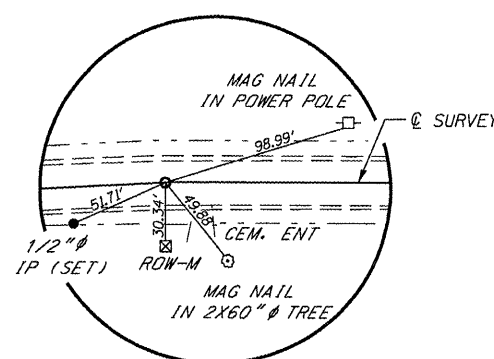
**P.T. STA 545+64.84**  
**MAG NAIL (SET)**



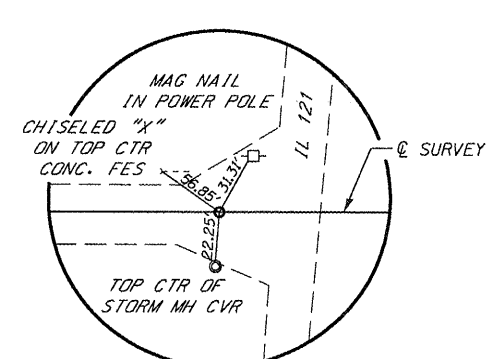
**P.C. STA 546+06.64**  
**MAG NAIL (SET)**



**P.I. STA 547+04.96**  
**MAG NAIL (SET)**



**P.T. STA 548+03.29**  
**MAG NAIL (SET)**



**P.O.T. STA 559+13.28**  
**DRILL HOLE (SET)**

CUMMINS  
ENGINEERING  
CORPORATION

JOB = 2217  
FILE NAME = 2217cross.ties.dgn  
PLOT SCALE = 100.0000 sf / IN.  
PLOT DATE = 1/28/2009

DESIGNED - NAK  
DRAWN - AJH  
CHECKED - NAK  
DATE - 11/21/2008

REVISED -  
REVISED -  
REVISED -  
REVISED -

LOGAN COUNTY  
CH 10, TR 199A, TR 92

CROSS TIES

F.A.S. RTE.	SECTION	COUNTY	TOTAL SHEETS	SHEET NO.
566	05-00113-00-WR	LOGAN	63	15
CONTRACT NO.				
FED. ROAD DIST. NO. ILLINOIS FED. AID PROJECT				

93482