

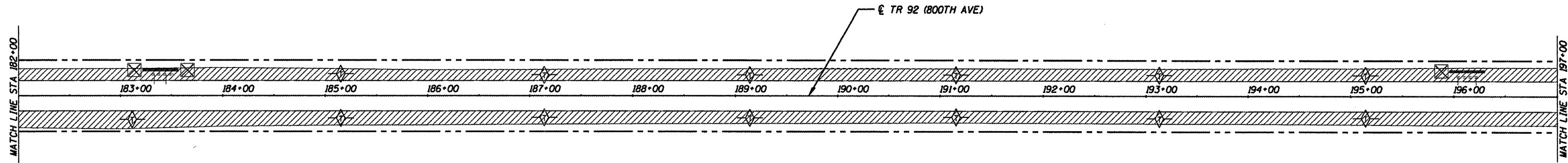
LEGEND

	INLET & PIPE PROTECTION
	TEMPORARY DITCH CHECK
	SEEDING, CLASS 2 (SPECIAL)

DISTURBED AREAS SHALL BE TEMPORARILY SEEDED AS SPECIFIED IN SECTION 280 OF THE STANDARD SPECIFICATIONS

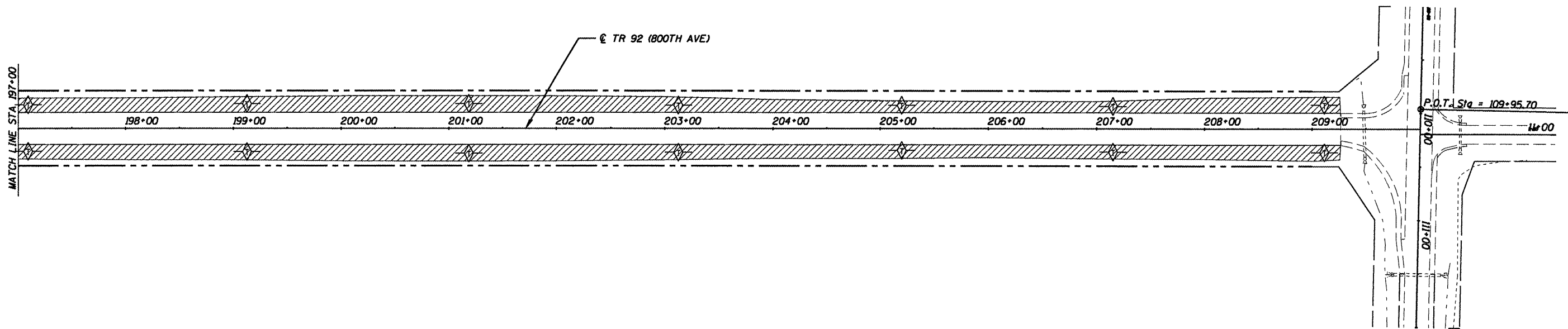
STA 182+00 TO STA 197+00

SEEDING CLASS 2 (SPECIAL)	0.86 ACRES
TEMPORARY EROSION CONTROL SEEDING	86 POUNDS
TEMPORARY DITCH CHECK	13 EACH
INLET AND PIPE PROTECTION	2 EACH



STA 197+00 TO STA 209+26

SEEDING CLASS 2 (SPECIAL)	0.77 ACRES
TEMPORARY EROSION CONTROL SEEDING	77 POUNDS
TEMPORARY DITCH CHECK	14 EACH



CUMMINS ENGINEERING CORPORATION

JOB = 2217	DESIGNED - NAK	REVISED -
FILE NAME = 2217erosion.dgn	DRAWN - AJH	REVISED -
PLOT SCALE = 1/20/2009	CHECKED - NAK	REVISED -
PLOT DATE = 1/20/2009	DATE - 11/03/2008	REVISED -

LOGAN COUNTY
CH 10, TR 199A, TR 92 IMPROVEMENTS

EROSION CONTROL PLAN - TR 92

F.A.S. RTE.	SECTION	COUNTY	TOTAL SHEETS	SHEET NO.
566	05-00113-00-WR	LOGAN	63	30
CH 10, TR 199A, TR 92		CONTRACT NO.		
FED. ROAD DIST. NO.		[ILLINOIS] FED. AID PROJECT		

93482