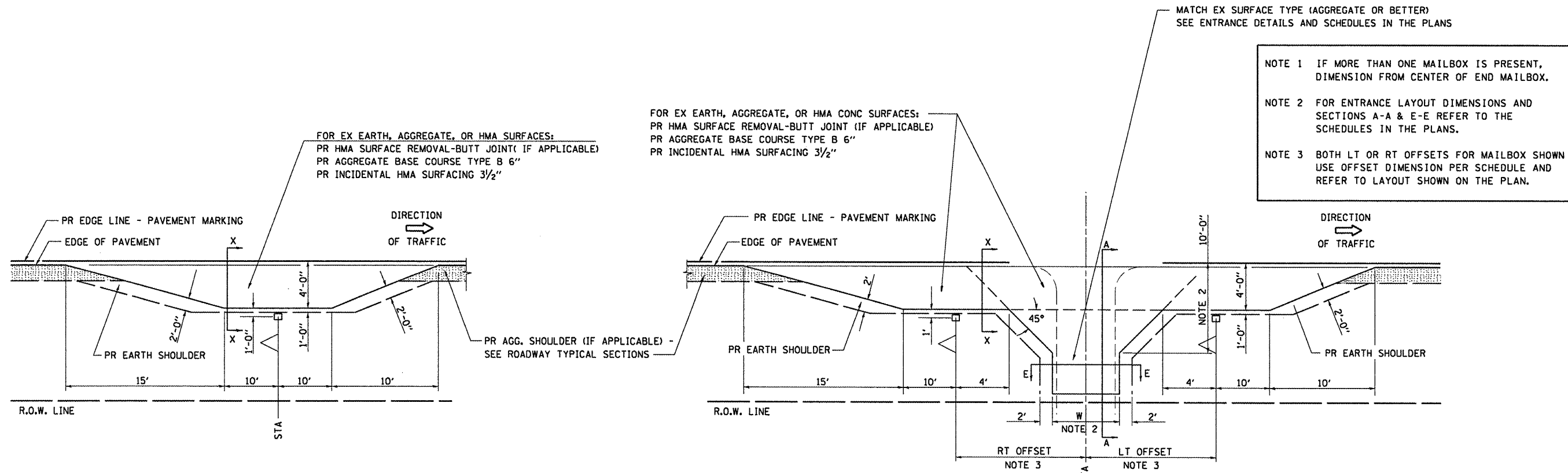
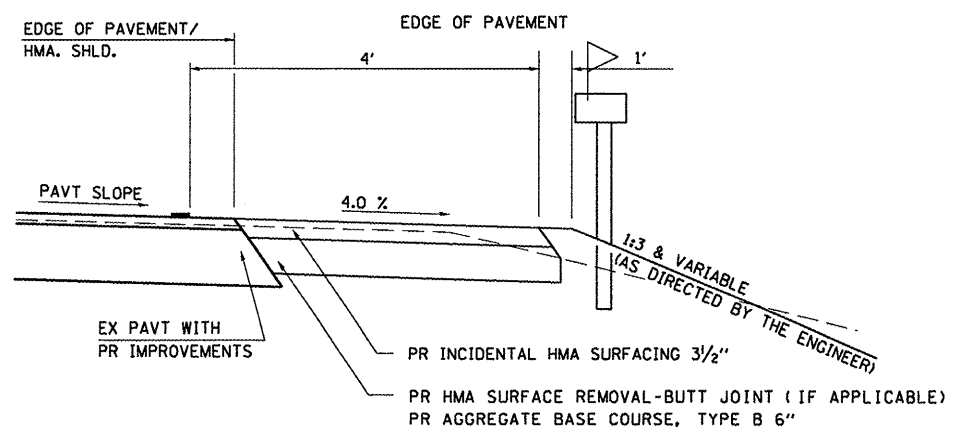


DETAILS OF MAILBOX TURNOUTS



PLAN - MAILBOX TURNOUTS

PLAN - COMBINED MAILBOX TURNOUT WITH TRAILING OR LEADING ENTRANCE



**SECTION X-X THRU MAILBOX TURNOUT
 ALSO APPLIES TO MAILBOX TURNOUTS COMBINED WITH
 EX EARTH, AGGREGATE, OR HMA PE & FE**

CUMMINS ENGINEERING CORPORATION	JOB = 2217	DESIGNED - NAK	REVISED -	LOGAN COUNTY CH 10, TR 199A, TR 92 IMPROVEMENTS	MAILBOX TURNOUT	F.A.S. RTE.	SECTION	COUNTY	TOTAL SHEETS	SHEET NO.
	FILE NAME = 2117 ent.dgn	DRAWN - AJH	REVISED -			566	05-00113-00-WR	LOGAN	63	39
	PLOT SCALE = 40,000 sq / IN.	CHECKED - NAK	REVISED -			CH 10, TR 199A, TR 92		CONTRACT NO.		
	PLOT DATE = 1/20/2009	DATE - 11/03/2008	REVISED -			93482				