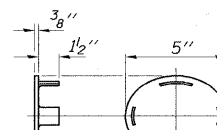


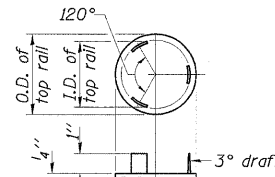
VIEW B-B RAIL POST DETAILS

SECTION A-A

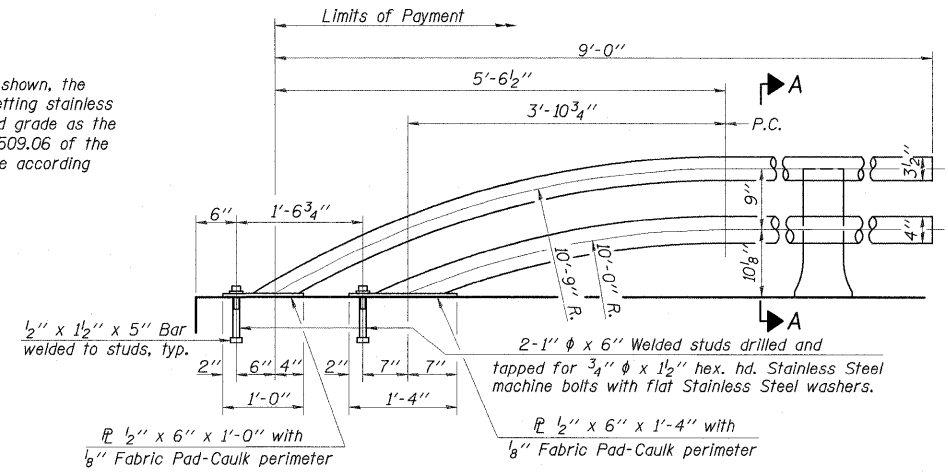
*In lieu of the cast-in-place anchor device shown, the Contractor has the option of drilling and setting stainless steel anchor rods of the same diameter and grade as the specified cap screws according to Article 509.06 of the Standard Specifications. Embedment shall be according to the manufacturer's specifications.



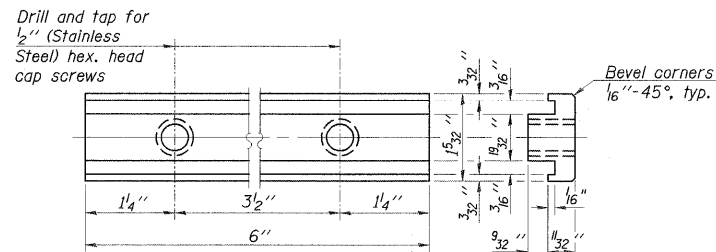
CAST END CAP For bottom rail DRIVE FIT TYPE



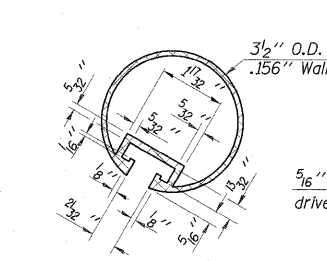
CAST END CAP For top rail



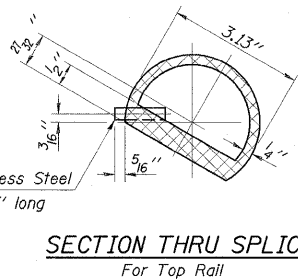
RAIL TERMINAL SECTION



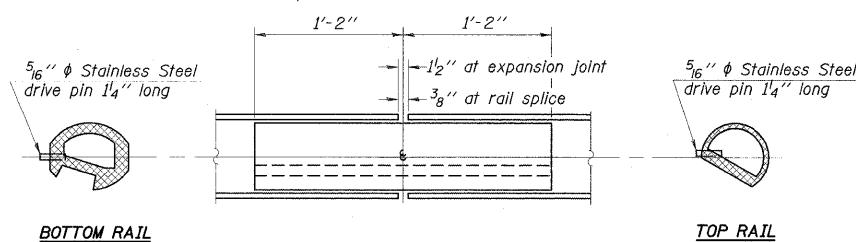
RAIL POST CLAMP BAR For Top Rail



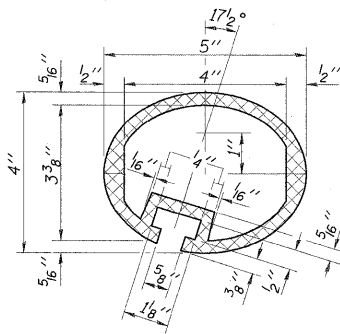
SECTION THRU TOP RAIL



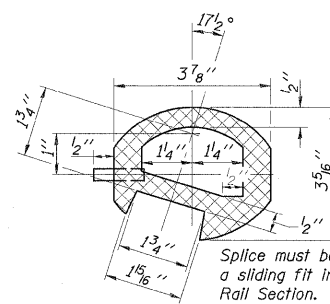
SECTION THRU SPLICE For Top Rail



RAIL SPLICE



SEC. THRU ELLIPTICAL RAIL SECTION



SEC. THRU SPLICE

Notes:
 All Posts shall be normal to parapet.
 All joints in rail shall be spliced per detail.
 All exposed rail ends shall be capped per detail.
 Provide 1-1/8 inch and 2-1/8 inch Aluminum Shims for 25% of the Posts. Rail elements shall be parallel to Grade-high spots will be ground and low spots shimmed.
 See sheet 10 of 16 for rail post spacing.

BILL OF MATERIAL

Item	Unit	Quantity
Aluminum Railing, Type L	Foot	97

FILE NAME = ...Type L Railing.dgn

USER NAME = Brad Downen
 DESIGNED - SF
 DRAWN - GLD
 CHECKED - WLB
 DATE - 03/10/2009

REVISED -
 REVISED -
 REVISED -
 REVISED -

CITY OF SPRINGFIELD
 SPRINGFIELD, ILLINOIS

ALUMINUM RAILING, TYPE L DETAILS
 STA. 86+95.74 S.N. 084-6001 (E)
 WASHINGTON STREET OVER JACKSONVILLE BRANCH

SCALE: SHEET NO. OF SHEETS STA. TO STA.

F.A.U. RTE.	SECTION	COUNTY	TOTAL SHEETS	SHEET NO.
7977	05-00443-00-BR	SANGAMON	28	23

CONTRACT NO. 93485
 FED. ROAD DIST. NO. 6 ILLINOIS FED. AID PROJECT
 CITY OF SPRINGFIELD