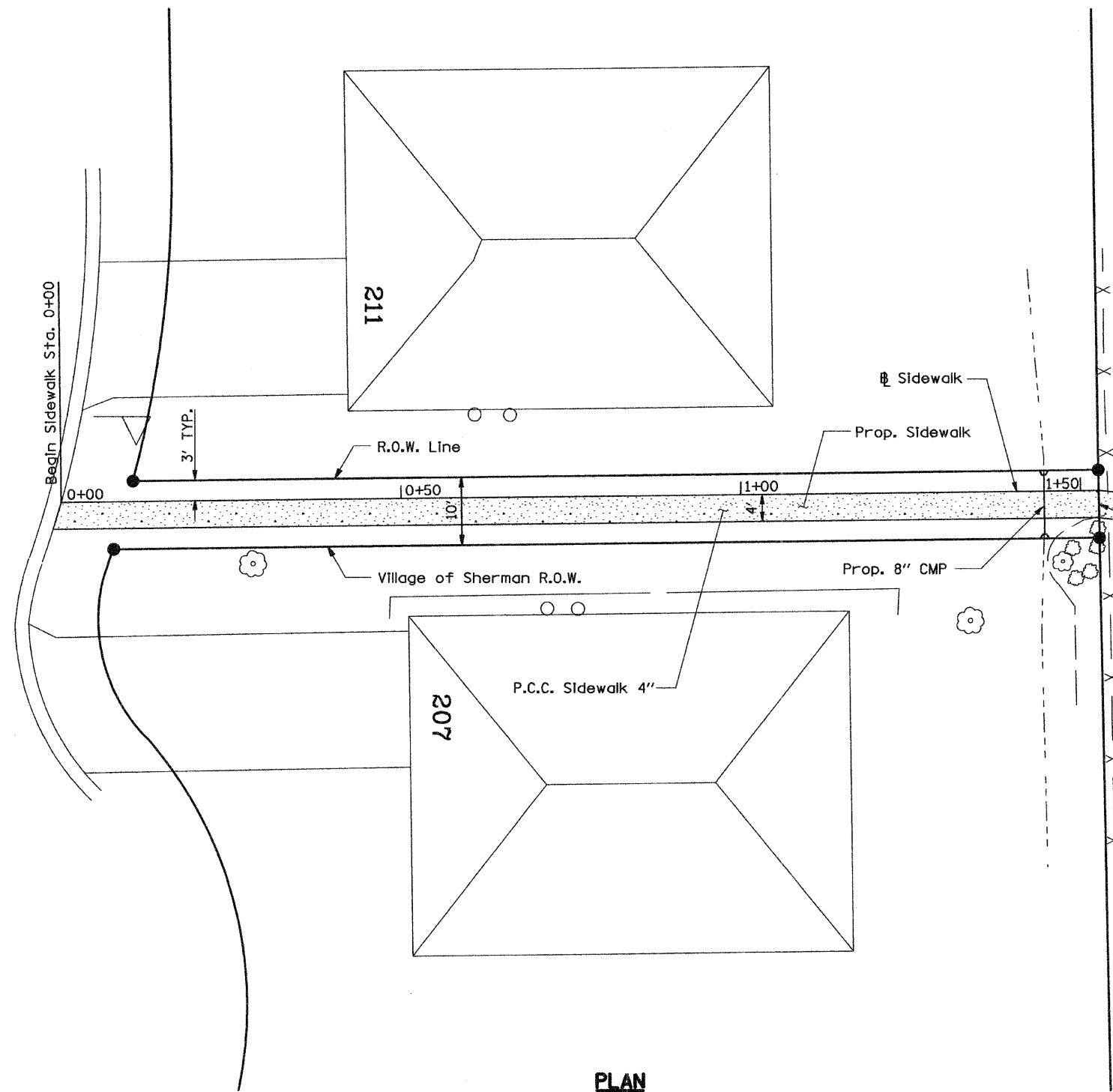
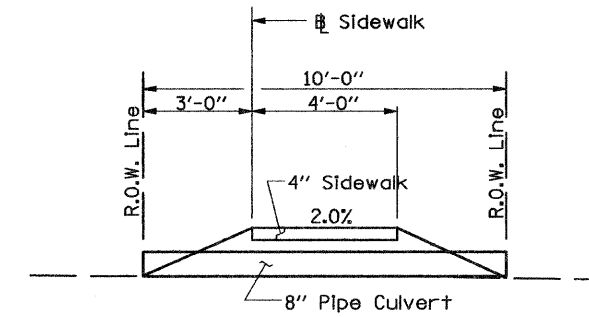


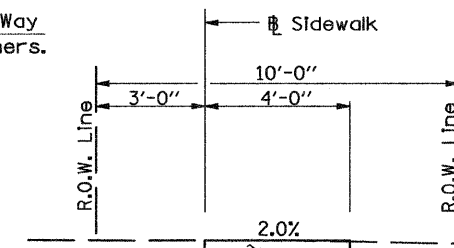
Brookside Glen Drive



PLAN



TYPICAL SECTION AT PIPE CULVERT



TYPICAL SECTION

Sherman Elementary School Property

BILL OF MATERIALS

ITEM	UNIT	QUANTITY
Earth Excavation	C.Y	3
Furnished Excavation	C.Y	3
Seeding, Class 2	Acre	0.04
P.C.C. Sidewalk 4"	S.F.	711
Storm Sewers, Class B, Type I 8"	Ft.	10

FILE NAME = G:\S07009-01\cad\Brookside_Glen\SCHOOL	USER NAME = IE Consultants	DESIGNED -	REVISED -	VILLAGE OF SHERMAN	BROOKSIDE GLEN SCHOOL SIDEWALK	F.A. RTE.	SECTION	COUNTY	TOTAL SHEETS	SHEET NO.
WALK.SHT	DRAWN -	REVISED -	08-00014-00-SW			SANGAMON	47	44		
PLOT SCALE = 18,0000' / IN.	CHECKED -	REVISED -	CONTRACT NO. 03486							
PLOT DATE = 2/18/2009	DATE -	REVISED -	ILLINOIS FED. AID PROJECT							
		SCALE:			SHEET NO.	OF	SHEETS	STA.	TO	STA.