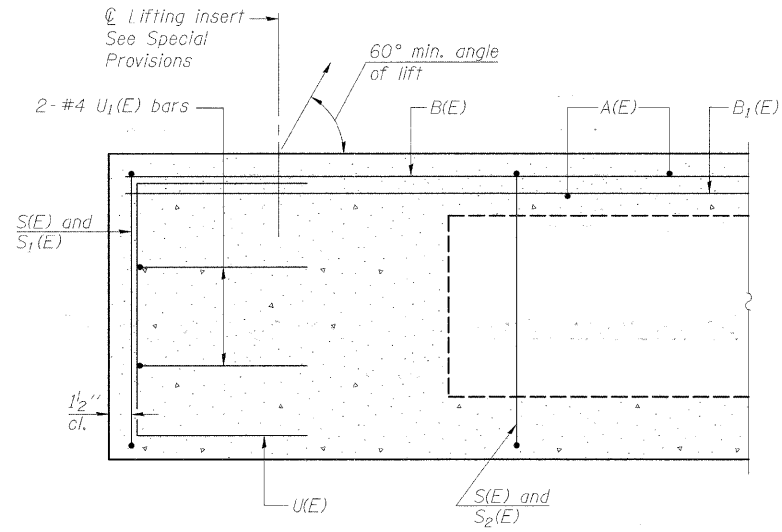
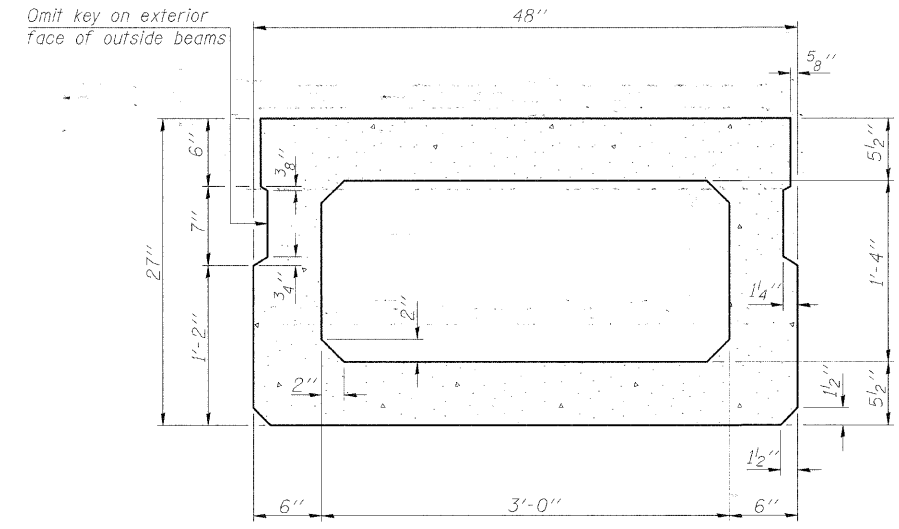


ROUTE NO.	SECTION	COUNTY	TOTAL SHEETS	SHEET NO.
TR 438	04-19123-00-BR	FAYETTE	13	8
FED. ROAD DIST. NO.	ILLINOIS	PROJECT		

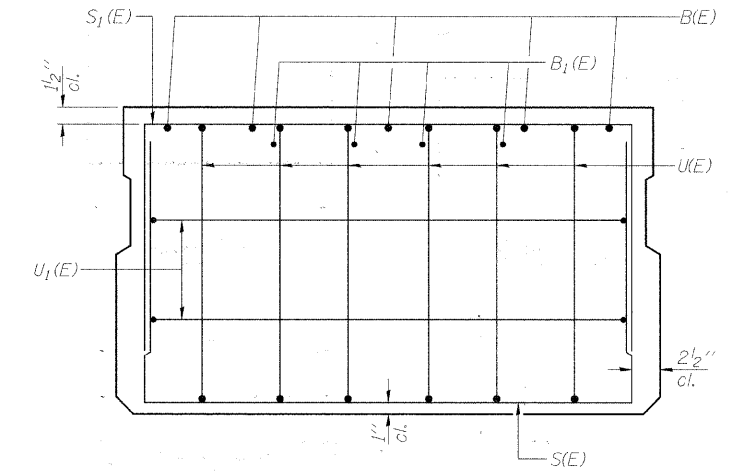
CONTRACT NO. 95567



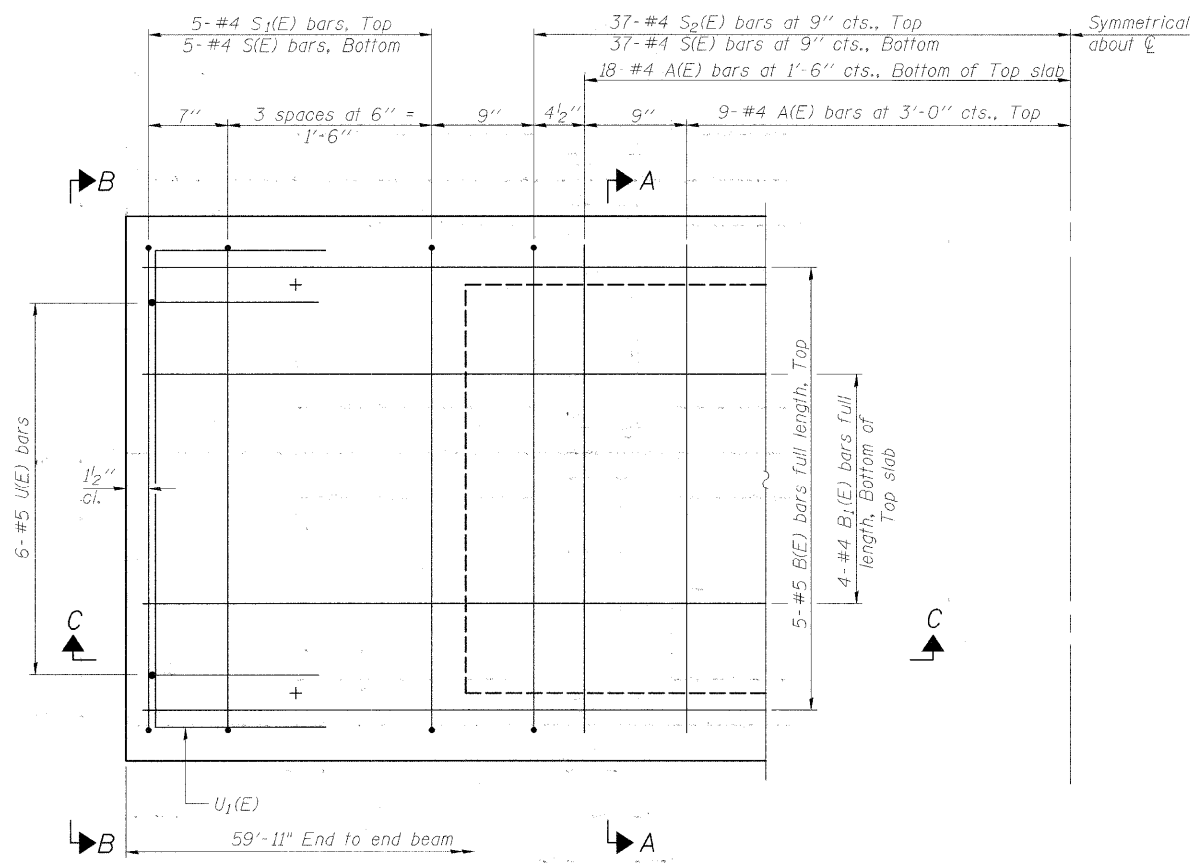
SECTION C-C



SECTION A-A
(Showing dimensions)

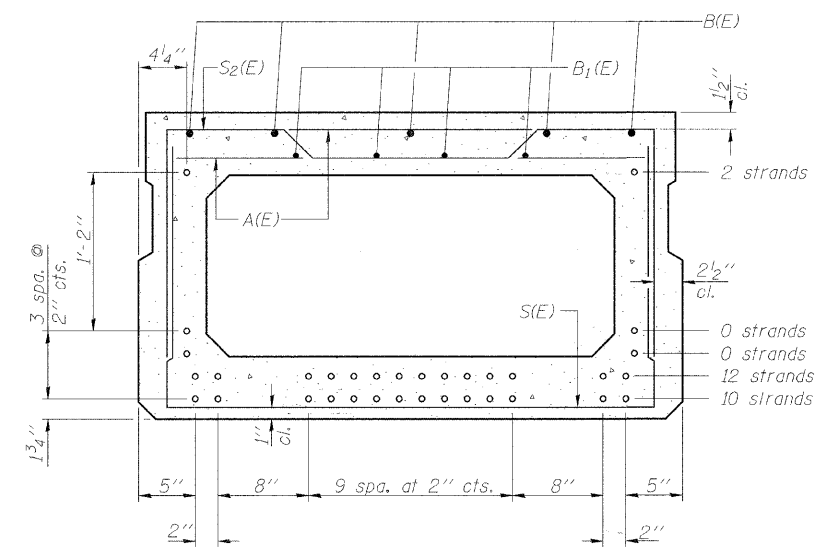


VIEW B-B



PLAN VIEW

Note: Spacing of S(E) and S2(E) bars may be adjusted up to 4" in the immediate area of the transverse tie diaphragms to miss the block outs for the transverse ties.



SECTION A-A

(Showing reinforcement and permissible strand locations)
Note: Place the number of strands specified in each row symmetrically about the centerline of beam in the permissible strand locations shown.

Strands: 24 - 1/2"Ø strands.

BAR LIST
ONE BEAM ONLY

(For information only)

Bar	No.	Size	Length	Shape
A(E)	51	#4	3'-7"	—
B(E)	5	#5	59'-7"	—
B1(E)	4	#4	59'-7"	—
S(E)	84	#4	7'-5"	⌊
S1(E)	10	#4	6'-11"	⌊
S2(E)	74	#4	7'-2"	⌊
U(E)	12	#5	4'-6"	⌊
U1(E)	4	#4	6'-0"	⌊

Note: See sheet SLM-PD-2748-0D for additional details.
See sheet SLM-CS-2427-60 for Bill of Material.

SLM-PD-2748-0
P.P.C. DECK BEAM
DETAILS AND SECTIONS

24' ROADWAY
27" x 48" BEAMS
0° SKEW

STS | AECOM
2624 S. Broadway
Salem, Illinois 62881
618.548.3500
IL Design Firm Reg.
No. 184-001518
www.aecom.com