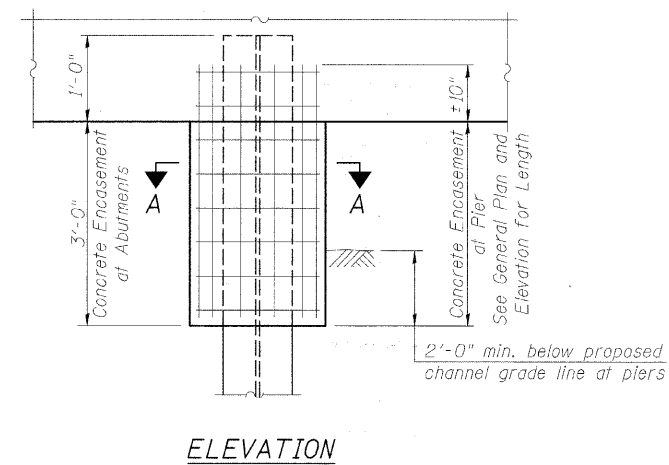
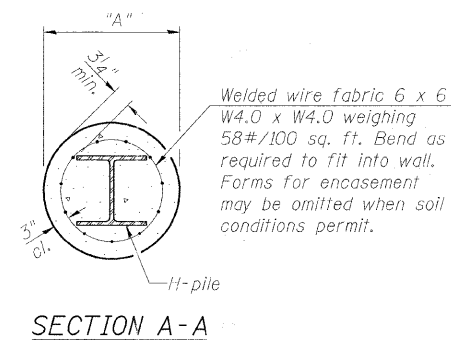


Material: Best quality brass or bronze.
Border and Lettering: Raised $\frac{1}{8}$ inch. Square cut and not tapered. Top surface polished.
Fastenings: Four lugs at least three inches long, cast on back of plate.



PILE ENCASEMENT



Pile	"A"
HP8	1'-6"
HP10	1'-9"
HP12	2'-0"

PILE ENCASEMENT QUANTITIES
(Steel Piles)

Pile Size	Item	Unit	Quantity
HP10	Concrete Encasement	Cu Yd.	0.086

Quantities per foot of Encasement.