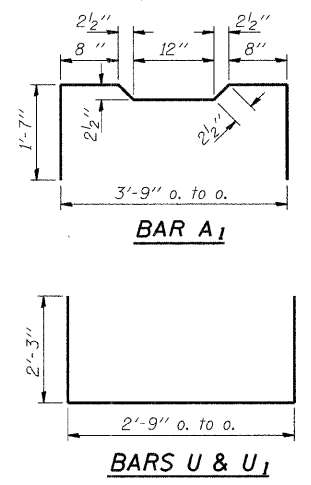
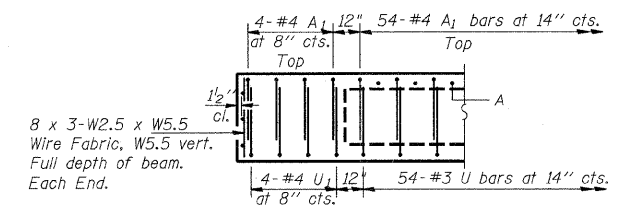
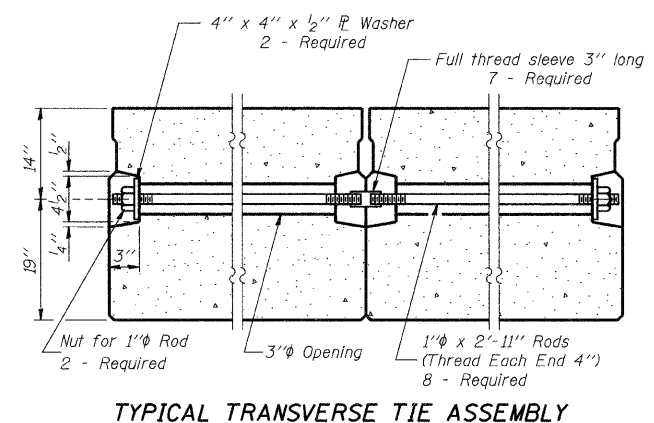
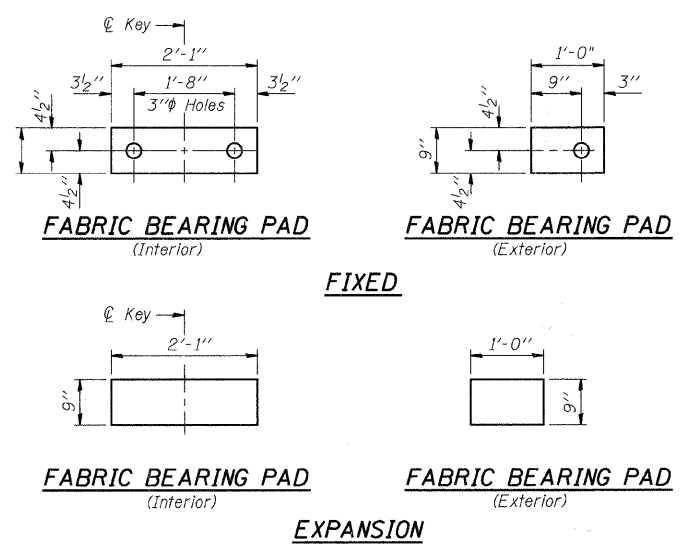
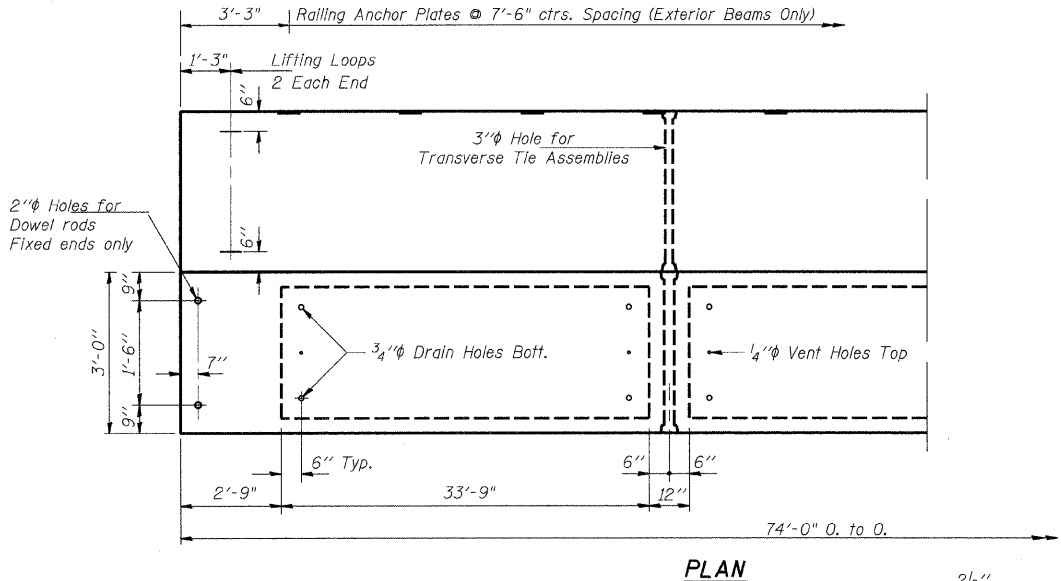
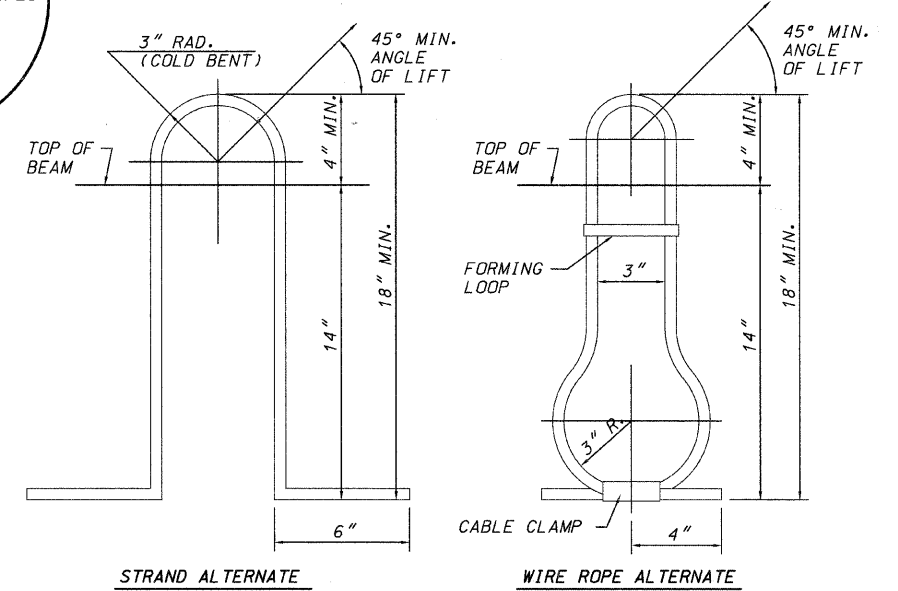
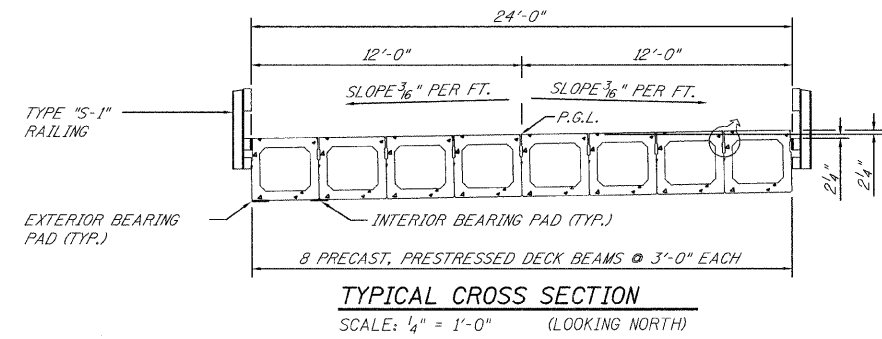
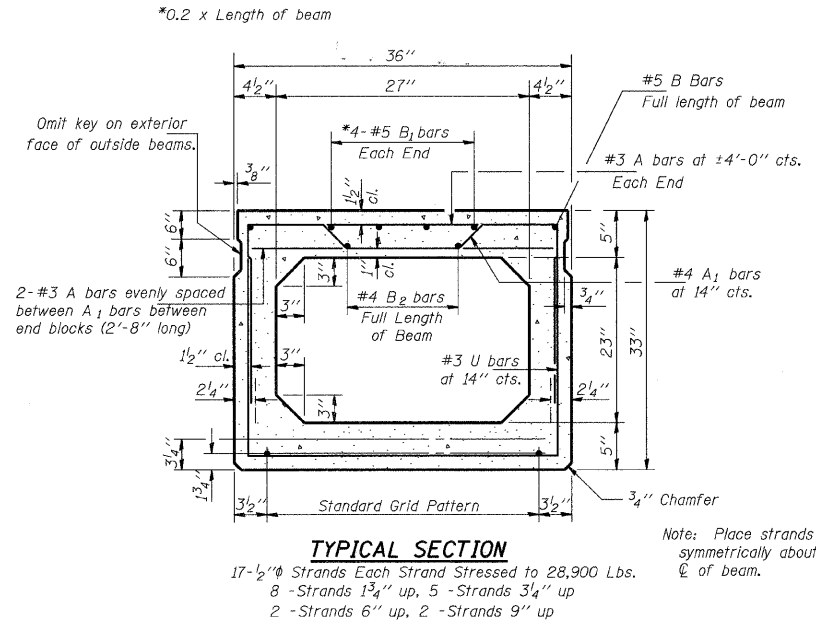
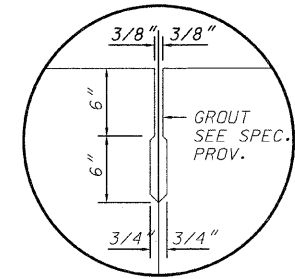


F.A. RTE.	SECTION	COUNTY	TOTAL SHEETS	SHEET NO.
338	01-16117-00	Shelby	15	5
STA. 14+53		TO STA. 15+27		
FED. ROAD DIST. NO.		ILLINOIS FED. AID PROJECT		

BILL OF MATERIAL		
ITEM	UNIT	QUANTITY
33" Precast Prestressed Concrete Deck Beam	Sq. Ft.	1776



- NOTES**
1. Prestressing steel shall be uncoated high strength, stress-relieved 7-wire strand, Grade 270. The nominal diameter shall be 1/2" and the nominal cross-sectional area shall be 0.153 sq. in.
  2. Lifting loops shall be 3/4" diameter, 6x25 class wire rope with fiber core and shall have a minimum ultimate tensile strength of 46,000 lbs. or three 1/2"  $\phi$  -270 ksi strands, as shown.
  3. Reinforcement bars shall conform to the requirements of AASHTO M-31, M-42 or M-53 Grade 60.
  4. The bearing seat surfaces shall be adjusted by shimming to assure firm and even bearing. Two 1/2" fabric adjusting shims of the dimensions of the Exterior Bearing Pad shall be provided for each bearing.
  5. Keyway surfaces shall be cleaned to remove form oil or other bond breaking material prior to shipment of the beams. Cleaning shall be done by sandblasting the keyway areas between top of the beam and the bottom edge of the key.
  6. Required Release Strength, f'ci, shall be 4000 p.s.i.  
 An equal substitution of the low-relaxation strands for the stress-relieved strands will be permitted.

REVISIONS	
NAME	DATE

ILLINOIS DEPARTMENT OF TRANSPORTATION  
 DECK BEAM DETAILS  
 TR 338 TRIBUTARY RICHLAND CREEK  
 SECTION 01-16117-00-BR  
 SHELBY COUNTY  
 STA 14+90  
 STRUCTURE NO. 087-3531

SCALE: NTS  
 DATE: \_\_\_\_\_  
 DRAWN BY Baker  
 CHECKED BY MJS