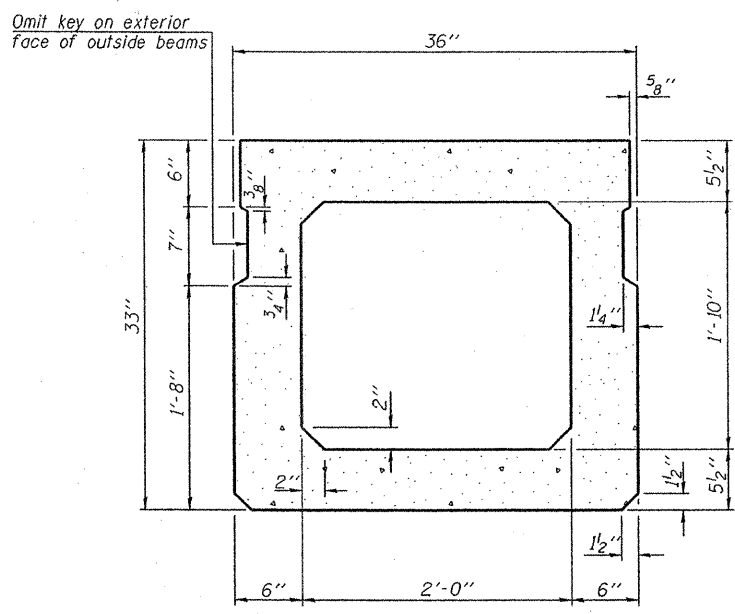
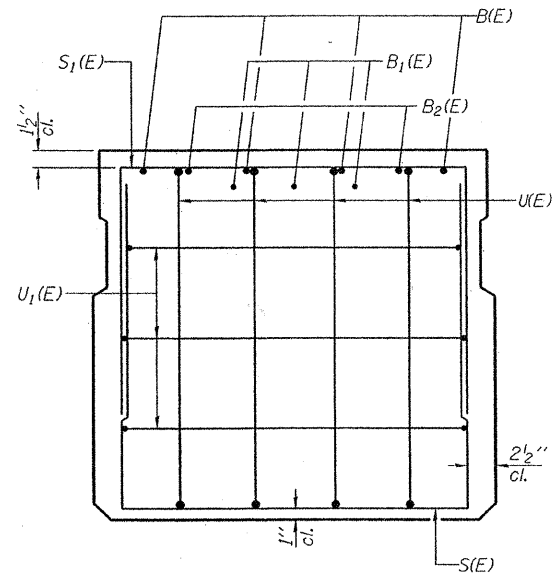


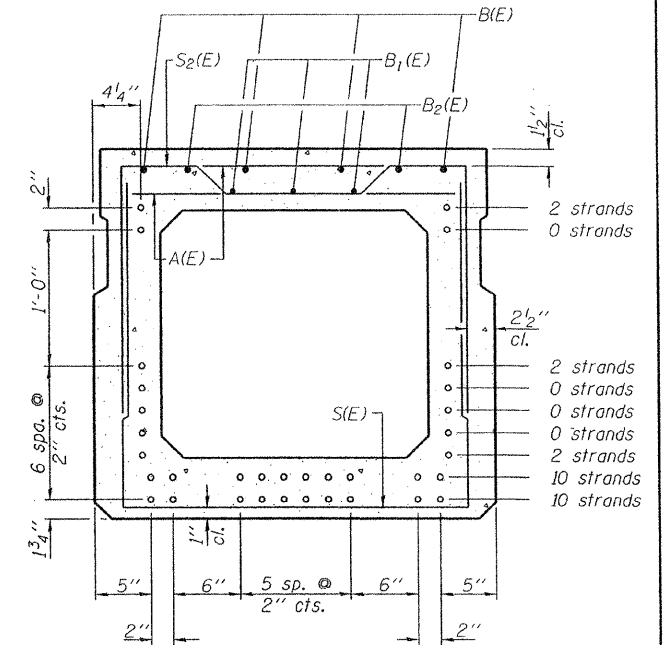
SECTION C-C



SECTION A-A  
(Showing dimensions)



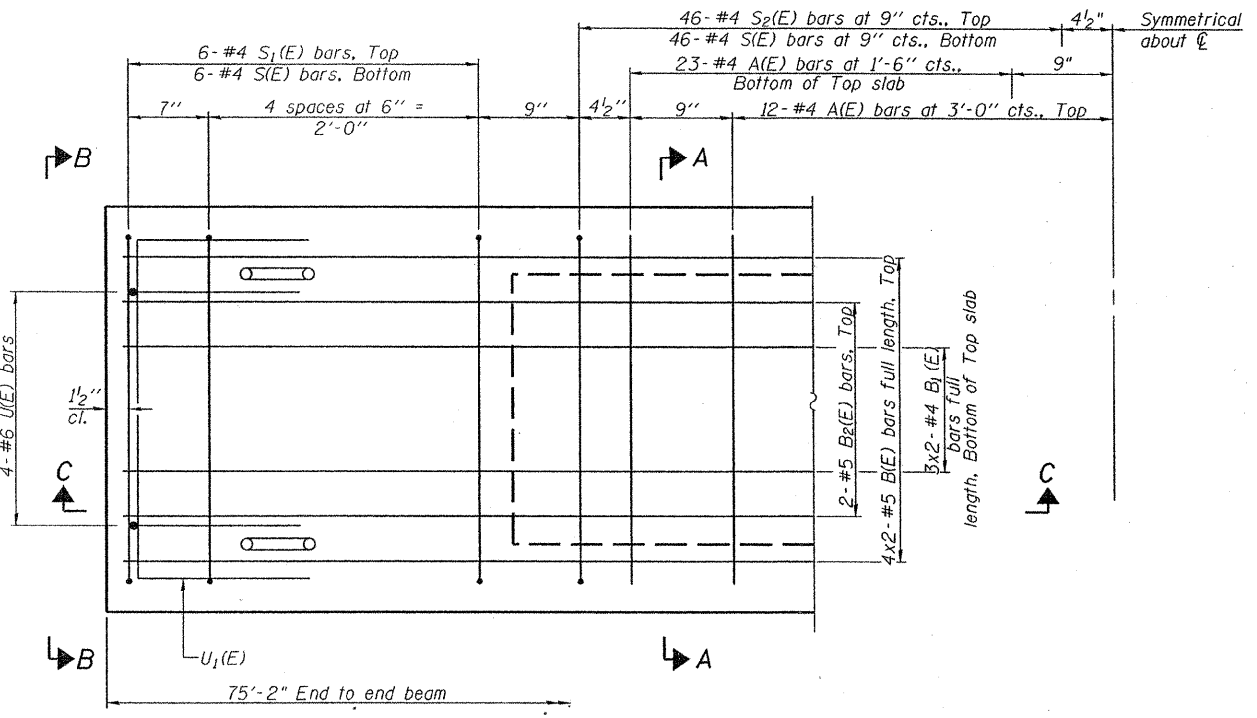
VIEW B-B



SECTION A-A

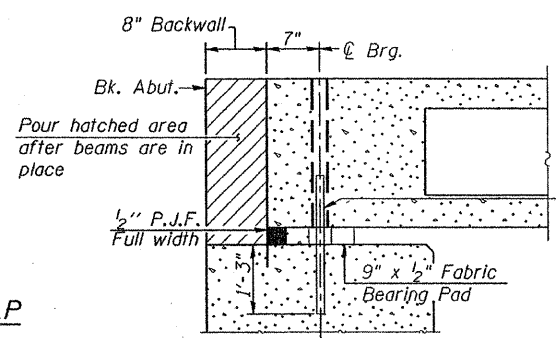
(Showing reinforcement and permissible strand locations)

Note: Place the number of strands specified in each row symmetrically about the centerline of beam in the permissible strand locations shown.



PLAN VIEW

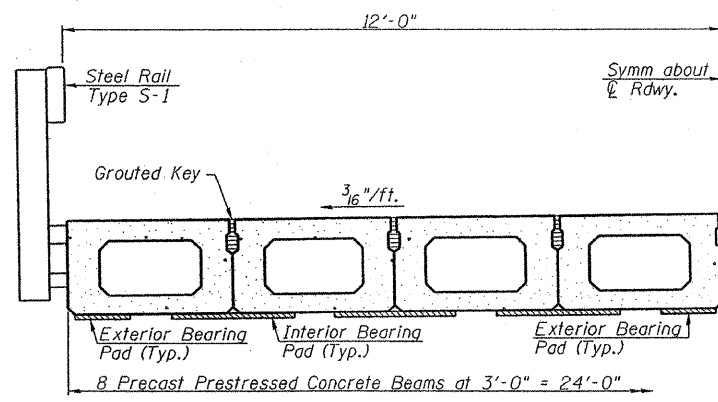
Note: Spacing of S(E) and S2(E) bars may be adjusted up to 4\"/>



SECTION THRU ABUTMENT  
(At Right Angles)

MIN. BAR LAP  
#4 bar = 1'-4"  
#5 bar = 1'-8"

1" x 2'-6" Dowel Rods in 1/2" Holes drilled in cap (2 Ea. End). Cost included with "Precast Prestressed Concrete Deck Beams (33" Depth)".



HALF CROSS SECTION

BAR LIST  
ONE BEAM ONLY  
(For information only)

Bar	No.	Size	Length	Shape
A(E)	70	#4	2'-7"	—
B(E)	8	#5	38'-4"	—
B1(E)	6	#4	38'-3"	—
B2(E)	2	#5	38'-3"	—
S(E)	104	#4	7'-5"	□
S1(E)	12	#4	6'-3"	□
S2(E)	92	#4	6'-6"	□
U(E)	8	#6	5'-0"	□
U1(E)	6	#4	5'-0"	□

Note: See sheet 3 of 6 for additional details and Bill of Material.

PD-3336-0 5-16-08

FILE NAME =	USER NAME = USERS	DESIGNED - F.L.L.	REVISED -		<b>Allen Henderson &amp; Associates, Inc.</b> Civil and Structural Engineers Springfield, IL. 62703 Phone: (217)544-8033 IL Design Firm No. 184-001907	SUPERSTRUCTURE			T.R. RTE.	SECTION	COUNTY	TOTAL SHEETS	SHEET NO.	
#FILEL#		DRAWN - M.J.S.	REVISED -			SCALE: NONE	SHEET NO. 2 OF 6 SHEETS	STA.	TO STA.	183	06-01124-00-BR	SHELBY	14	10
		CHECKED - M.A.H.	REVISED -						CONTRACT NO. 95583					
		DATE -	REVISED -						FED. ROAD DIST. NO. ILLINOIS FED. AID PROJECT					