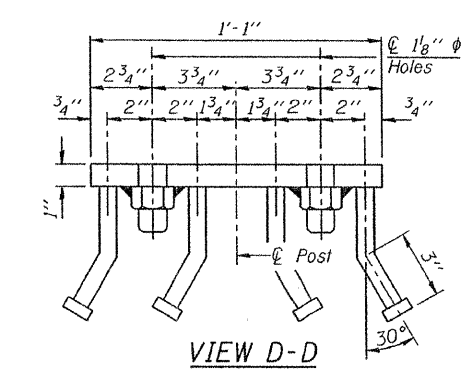
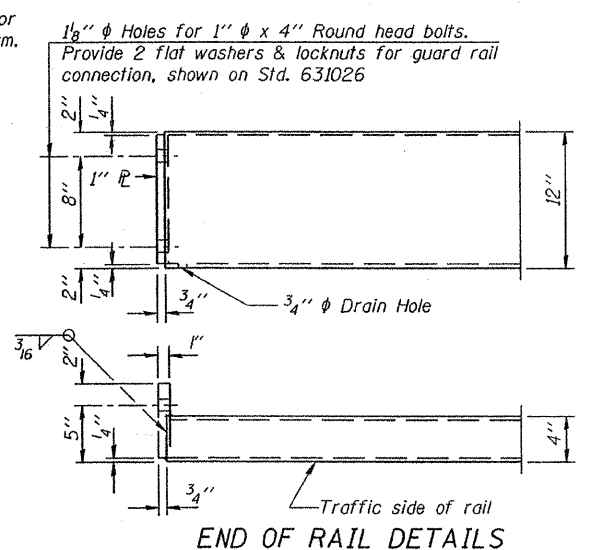
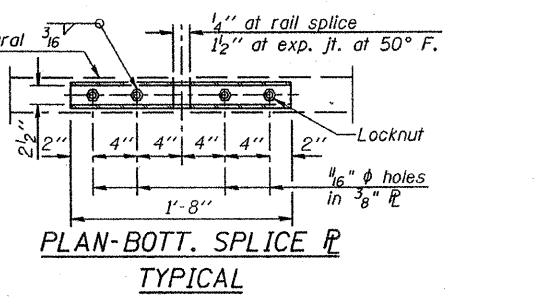
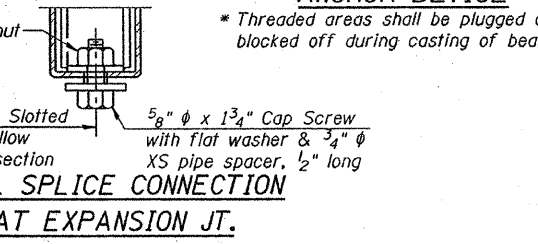
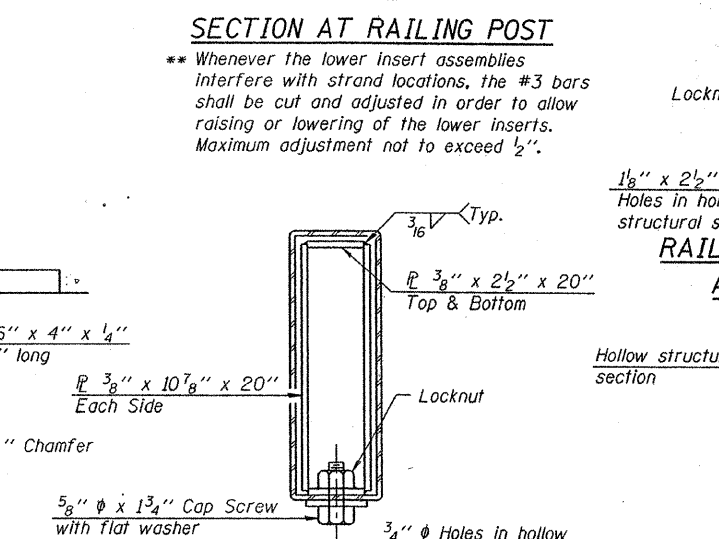
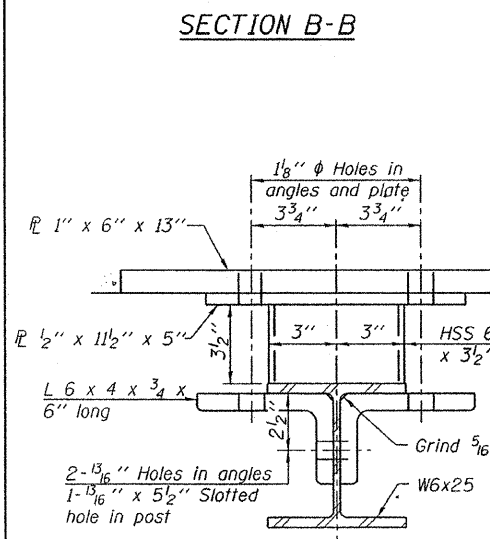


Notes:
 All field drilled holes shall be coated with an approved zinc rich paint before erection.
 All steel rail elements shall be galvanized according to Article 509.05 of the Standard Specifications.
 *** The studs of the anchor devices shall be placed below the top reinforcement bars and the outermost longitudinal reinforcement bar shall be placed directly above the studs of the rail post anchor device.
 Railing shall be in accordance with Section 509 of the Standard Specifications, except as noted, and will be paid for at the contract unit price per foot for Steel Railing, Type S-1.
 The cost of curled end sections shall be included in the cost of Steel Railing, Type S1.



BILL OF MATERIAL

Item	Unit	Quantity
Steel Railing, Type S-1	Foot	153

FILE NAME =	USER NAME = *USER*	DESIGNED - F.L.L.	REVISED -
#FILE#		DRAWN - M.J.S.	REVISED -
		CHECKED - M.A.H.	REVISED -
		DATE -	REVISED -

Allen Henderson & Associates, Inc.
 Civil and Structural Engineers Springfield, IL
 62708 Phone: (217)544-8033 IL Design Firm
 No. 184-001907

STEEL RAILING, TYPE S-1

SCALE: NONE SHEET NO. 4 OF 6 SHEETS STA. TO STA.

T.R. RTE.	SECTION	COUNTY	TOTAL SHEETS	SHEET NO.
183	06-01124-00-BR	SHELBY	14	12
FED. ROAD DIST. NO. 1			ILLINOIS FED. AID PROJECT	
			CONTRACT NO. 95583	