

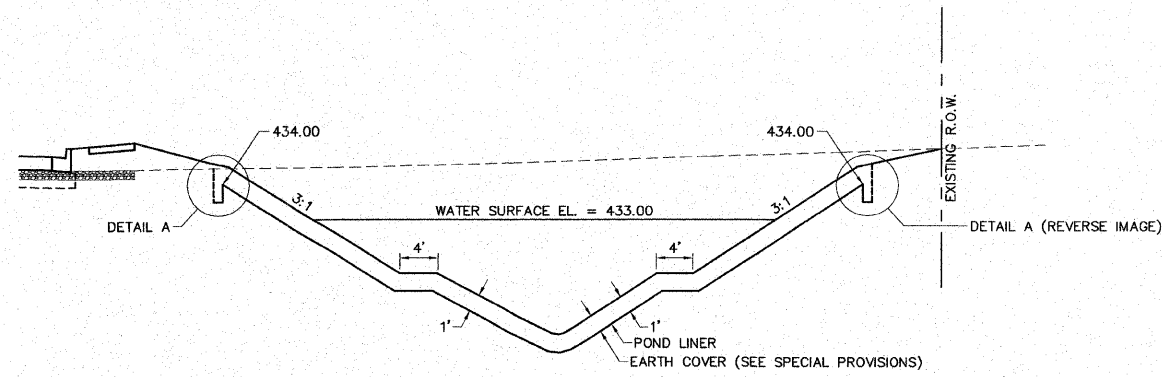
NO.	DESCRIPTION

Sheppard Morgan & Schwaab, Inc.
 CONSULTING ENGINEERS & LAND SURVEYORS
 10 Central Industrial Dr
 Alton, Illinois 62802
 618/482-8800
 618/977-8700

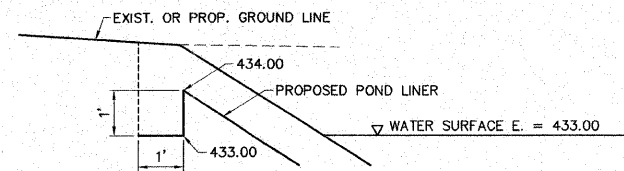


LEWIS & CLARK COMMUNITY COLLEGE
 SECTION 05 - 00001 - 00 - PK
 ACCESS ROADS FOR THE
 NATIONAL GREAT RIVERS RESEARCH AND EDUCATION CENTER
 DETAILS OF CONSTRUCTION

DWG. NO.	LP_AAIC_405829
PHASE	PHASE I DETAILS.DWG
REF. BK.	PG. -
JOB NO.	457111.1
DSM. BY:	DEG
DWN. BY:	CAD
CHK. BY:	DEG
DATE:	SEPT. 8, 2008
SCALE:	AS SHOWN
SHEET	16 OF 36



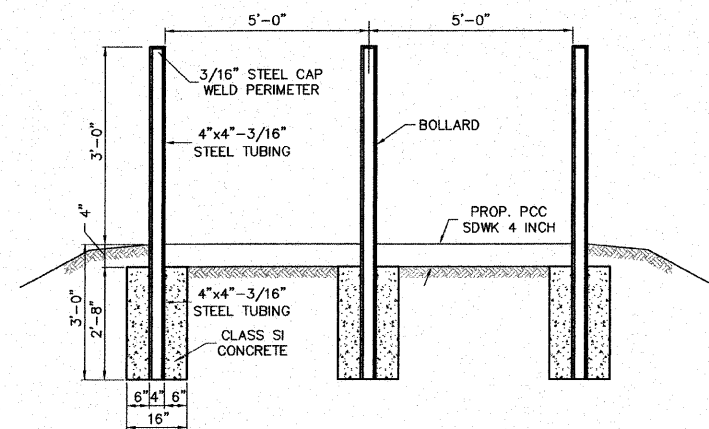
DETAIL: FURNISH AND INSTALL POND LINER



DETAIL A

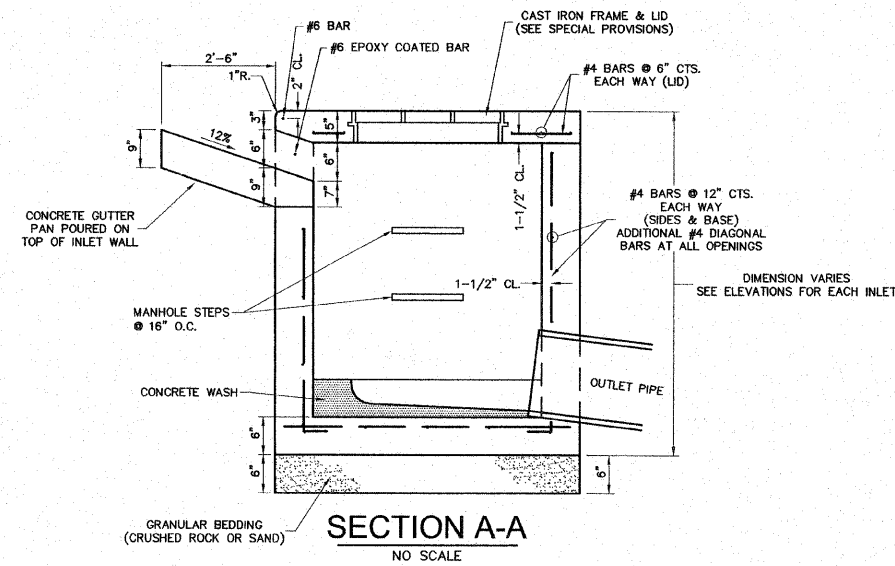
NOTES

1. THE POND LINER SHALL BE ANCHORED IN PLACE BY PLACING THE ENDS IN A TRENCH WHICH HAS BEEN EXCAVATED TO ELEV. 433.00.
2. THE TRENCH SHALL BE 1' WIDE.



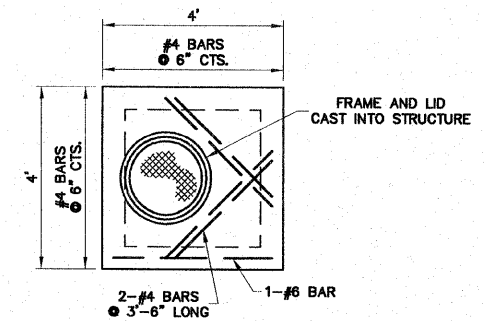
DETAIL: BOLLARDS

NO SCALE



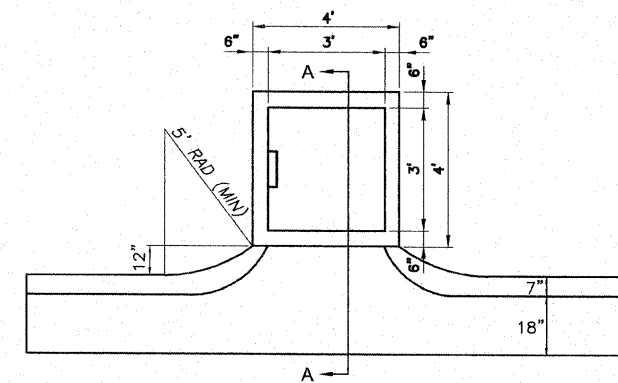
SECTION A-A

NO SCALE



CONCRETE LID

NO SCALE



INLET BOX, SPECIAL PLAN

NO SCALE