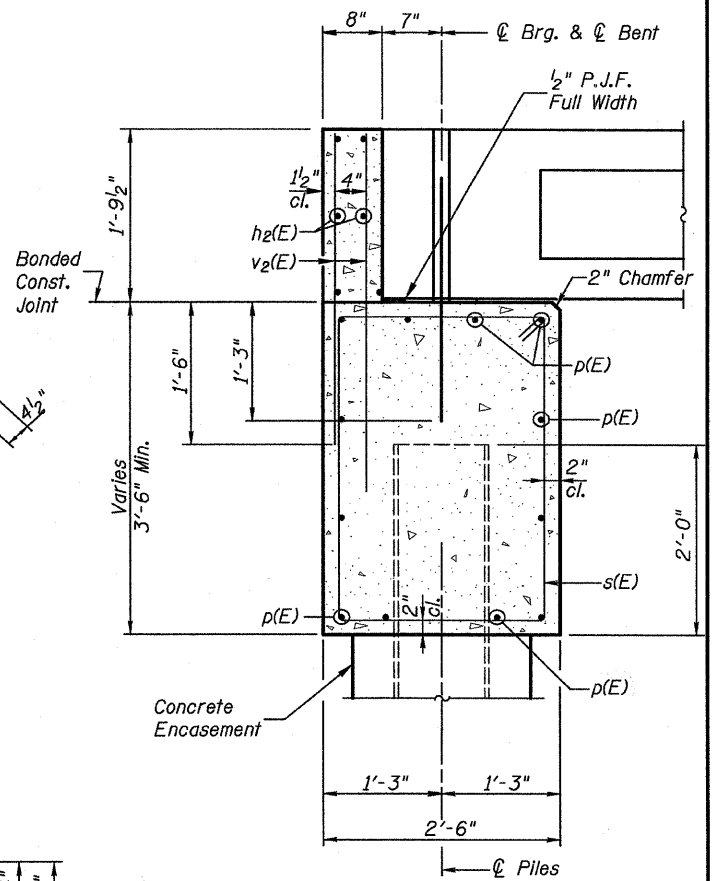
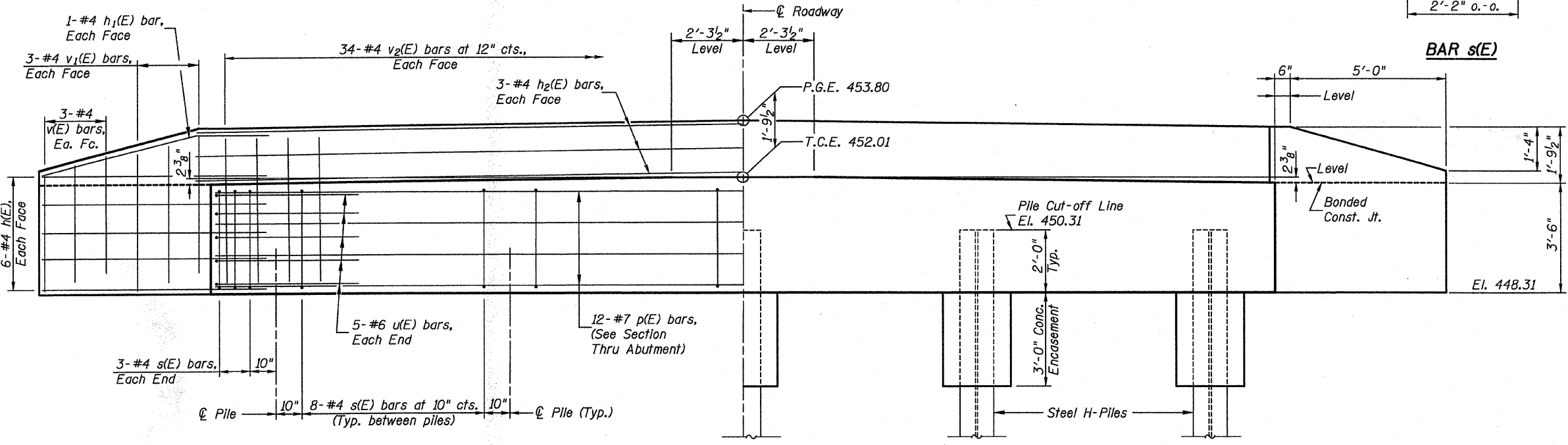


PLAN



SECTION THRU ABUTMENT
(at Right Angles)



ELEVATION

NOTES

- The Backwall and the portion of the Wingwalls above the bonded construction joint shall be cast against the in-place beam.
- Space reinforcement in pile cap to miss dowel rods.

DESIGNED	K.M.M.
CHECKED	L.D.G.
DRAWN	K.H.L.
CHECKED	B.G.H.

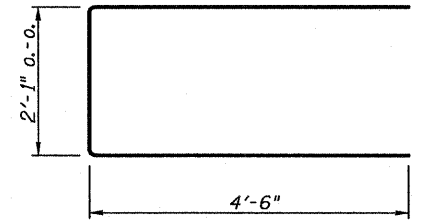
PILE DATA

	W. ABUT.	E. ABUT.
Type:	Steel HP 10x42	Steel HP 10x42
Nominal Required Bearing:	335 k	335 k
Factored Resistance Available:	168 k	168 k
Est. Length:	34 ft.	21 ft.
No. Production Piles:	5	5
No. Test Piles:	0	0

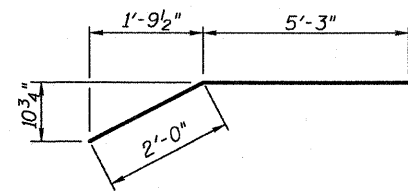
BILL OF MATERIAL FOR ONE ABUTMENT

Bar	No.	Size	Length	Shape
h(E)	24	#4	7'-0"	—
h1(E)	4	#4	7'-3"	—
h2(E)	6	#4	33'-9"	—
p(E)	12	#7	33'-9"	—
s(E)	38	#4	11'-5"	□
u(E)	10	#6	11'-1"	▭
v(E)	12	#4	3'-0"	—
v1(E)	12	#4	4'-0"	—
v2(E)	68	#4	3'-2"	—
Concrete Structures			Cu. Yd.	14.7
Reinforcement Bars, Epoxy Coated			Pound	1,750
Concrete Encasement			Cu. Yd.	1.8

Reinforcement Bars designated (E) shall be Epoxy Coated.



BAR u(E)



BAR h1(E)

PILE BENT ABUTMENT

SHEET NO. 6 10 SHEETS	T.R.	SECTION	COUNTY	TOTAL SHEETS	SHEET NO.
	137	03-10115-00-BR	CLINTON	15	9
	S.N. 014-4055		CONTRACT NO. 97374		
FED. ROAD DIST. NO.		ILLINOIS	FED. AID PROJECT		