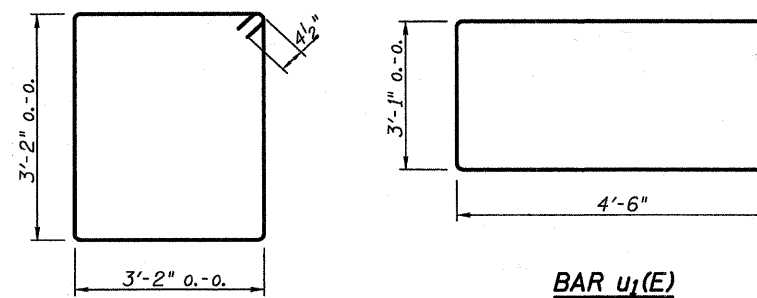


PLAN

PILE DATA

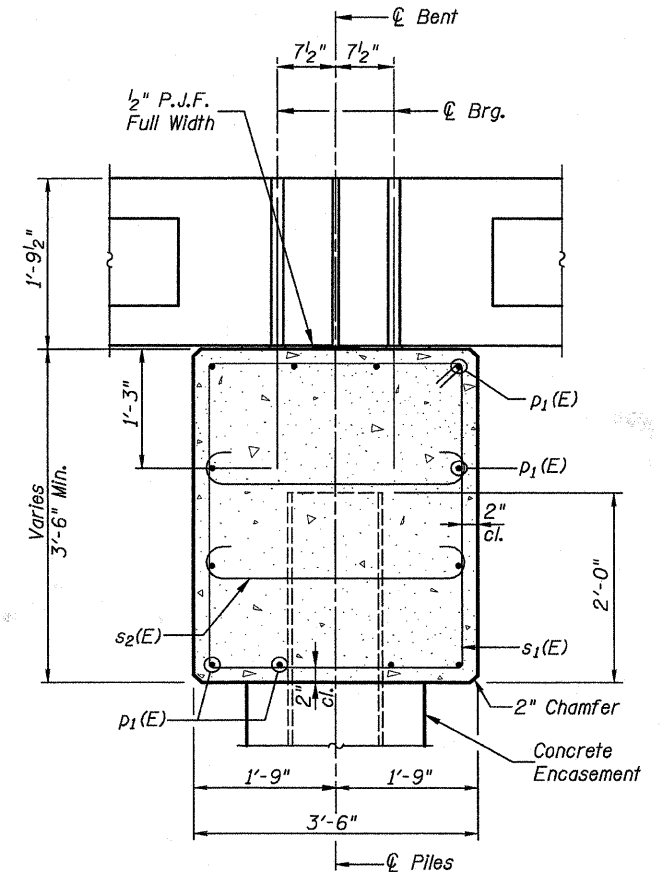
	PIER 1	PIER 2
Type:	Steel HP 12x53	Steel HP 12x53
Nominal Required Bearing:	419 k	419 k
Factored Resistance Available:	210 k	210 k
Est. Length:	34 ft.	21 ft.
No. Production Piles:	5	5
No. Test Piles:	1	1

Type:
Nominal Required Bearing:
Factored Resistance Available:
Est. Length:
No. Production Piles:
No. Test Piles:

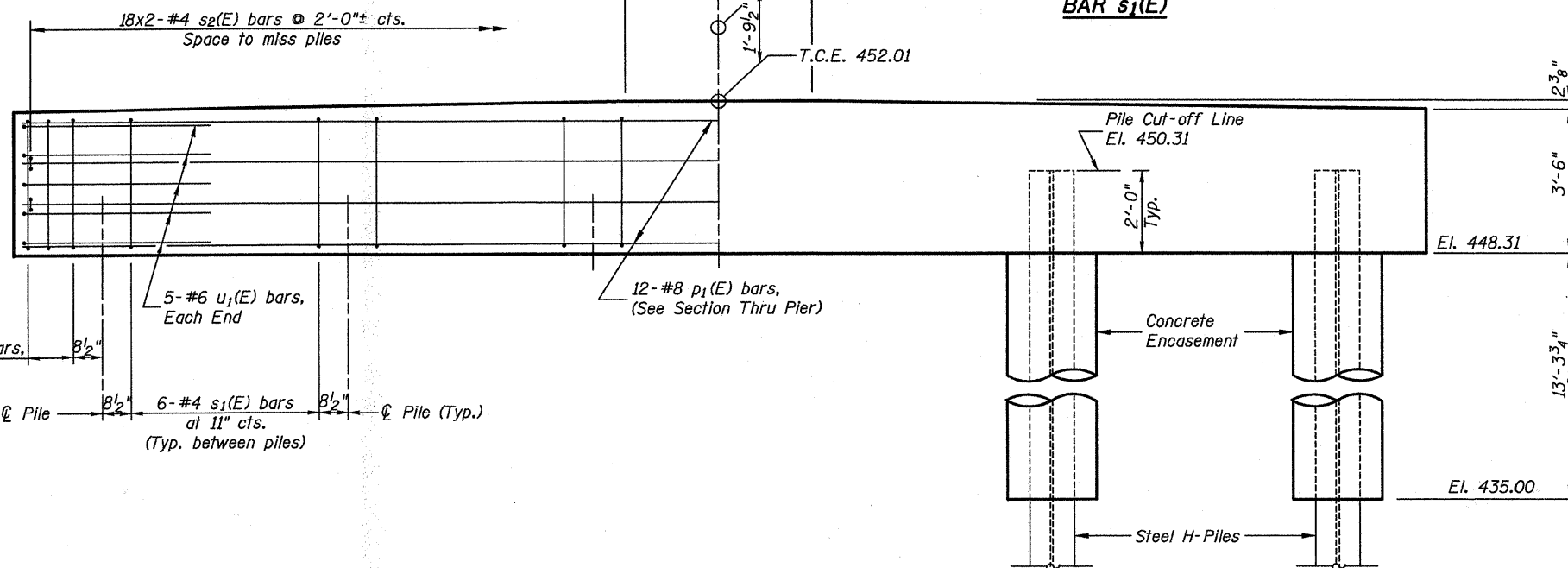


BAR s₁(E)

BAR u₁(E)



SECTION THRU PIER
(at Right Angles)



ELEVATION

BILL OF MATERIAL FOR ONE PIER

Bar	No.	Size	Length	Shape
p ₁ (E)	12	#8	34'-2"	—
s ₁ (E)	36	#4	13'-5"	□
s ₂ (E)	36	#4	4'-2"	U
u ₁ (E)	10	#6	12'-1"	▭
Concrete Structures			Cu. Yd.	16.2
Reinforcement Bars, Epoxy Coated			Pound	1,700
Concrete Encasement			Cu. Yd.	9.3

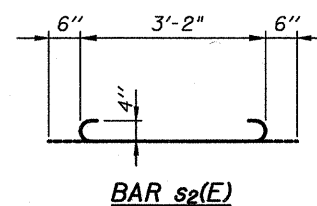
Reinforcement Bars designated (E) shall be Epoxy Coated.

PILE BENT PIER

DESIGNED	K.M.M.
CHECKED	L.D.G.
DRAWN	K.H.L.
CHECKED	B.G.H.

NOTES

1. Space reinforcement in pile cap to miss dowel rods.



BAR s₂(E)

SHEET NO. 7 10 SHEETS	T.R.	SECTION	COUNTY	TOTAL SHEETS	SHEET NO.
	137	03-10115-00-BR	CLINTON	15	10
S.N. 014-4055			CONTRACT NO. 97374		
FED. ROAD DIST. NO.		ILLINOIS	FED. AID PROJECT		