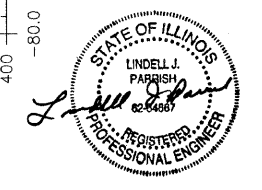
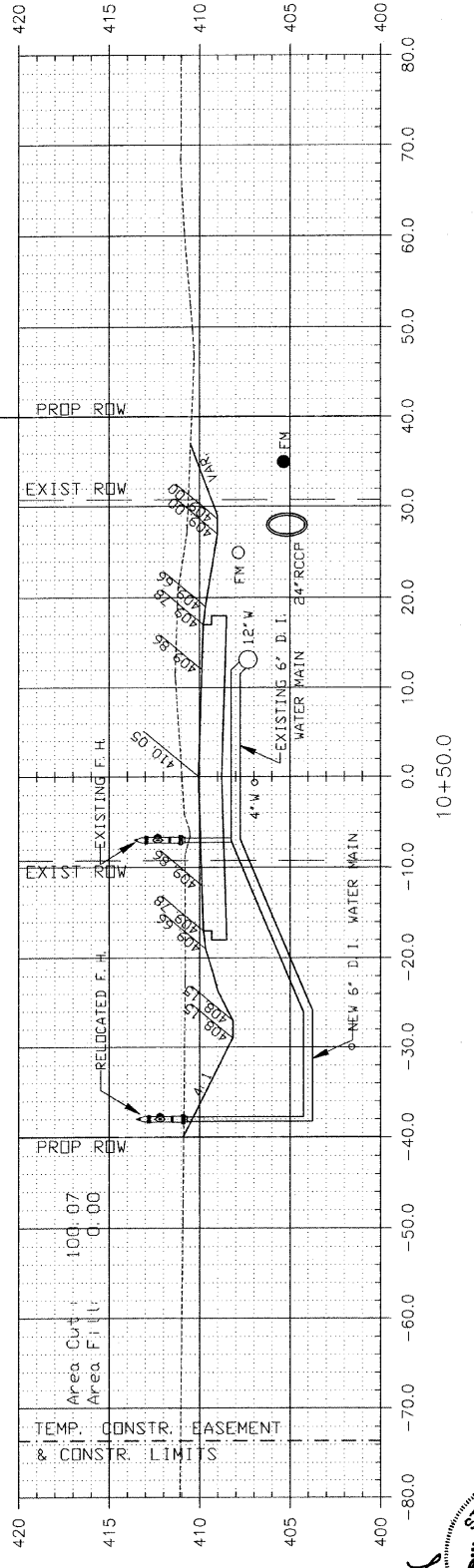
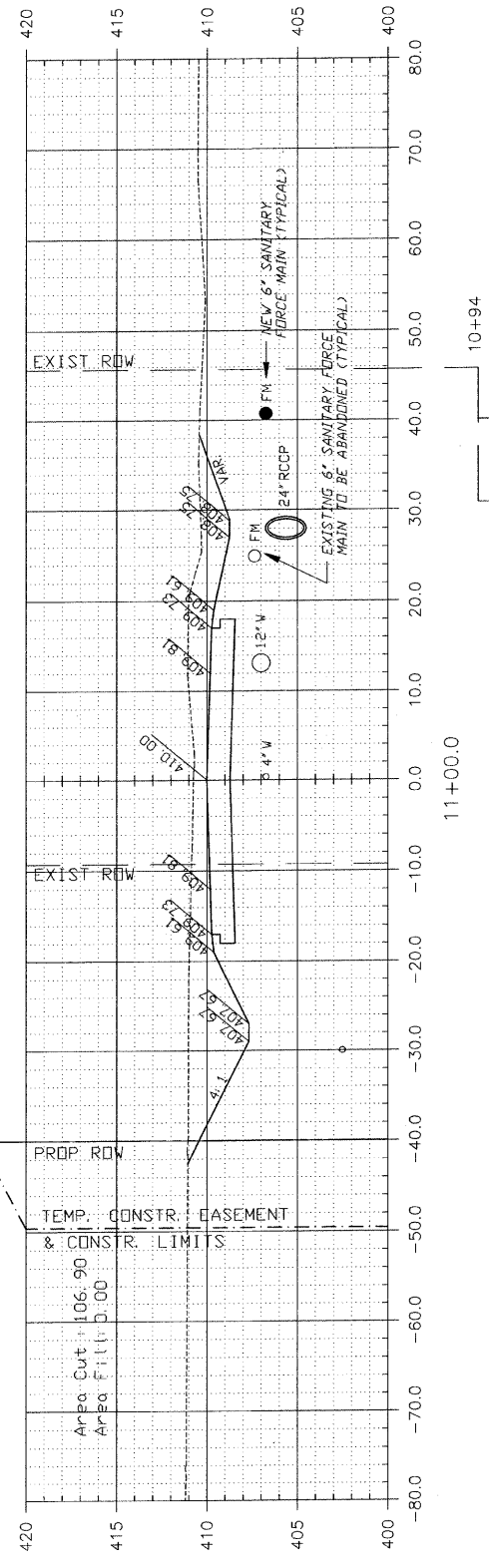
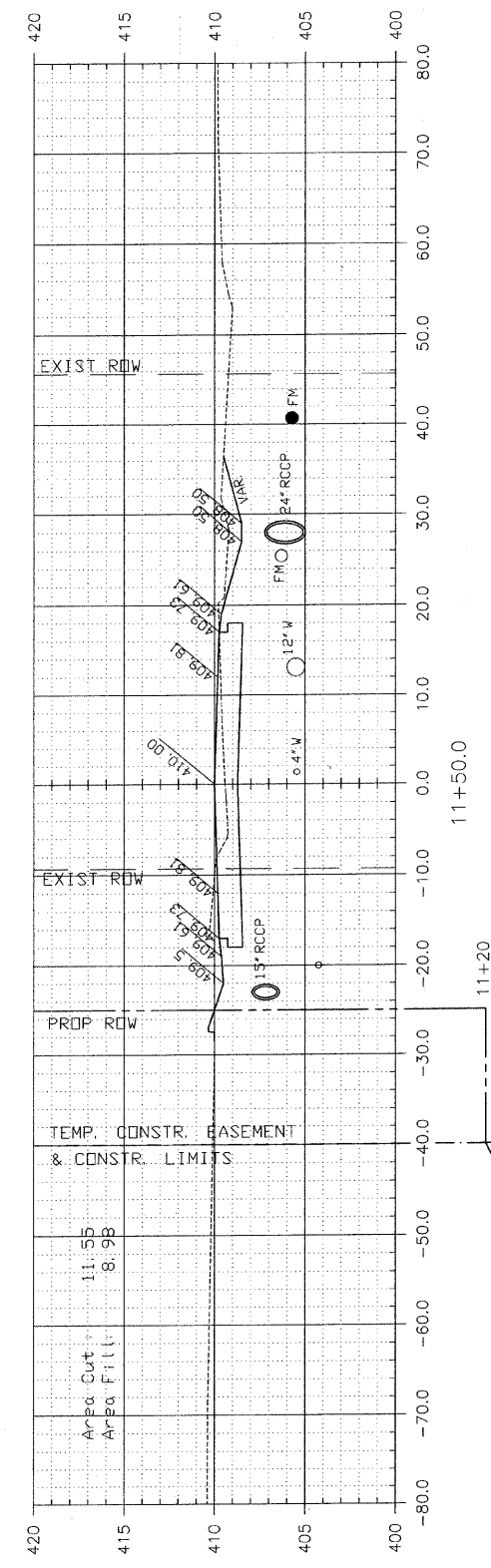
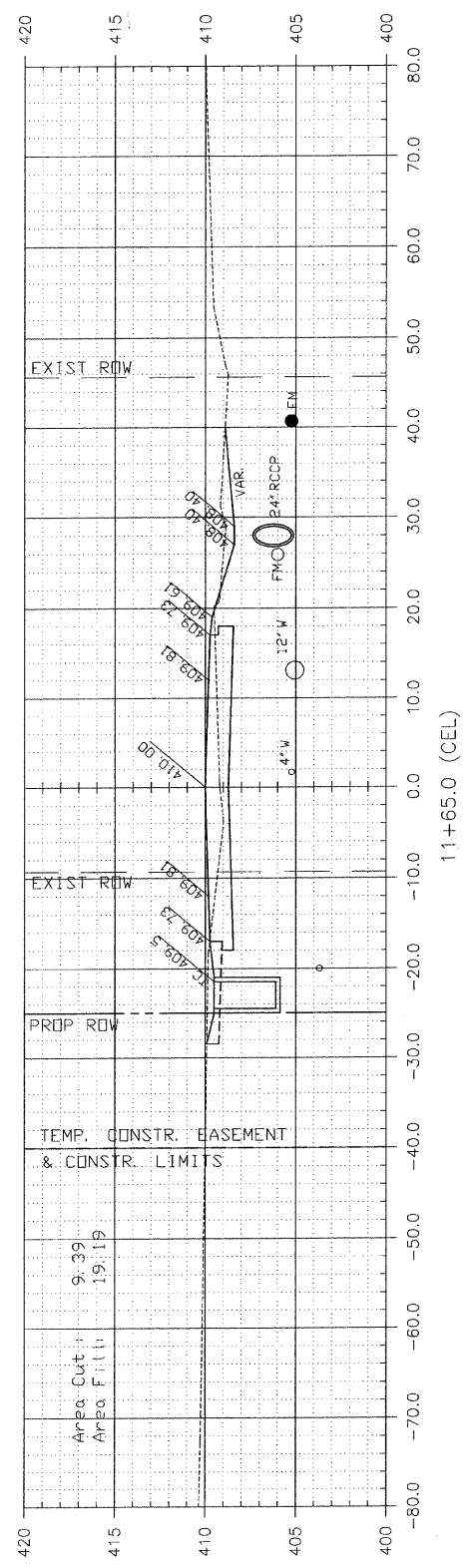
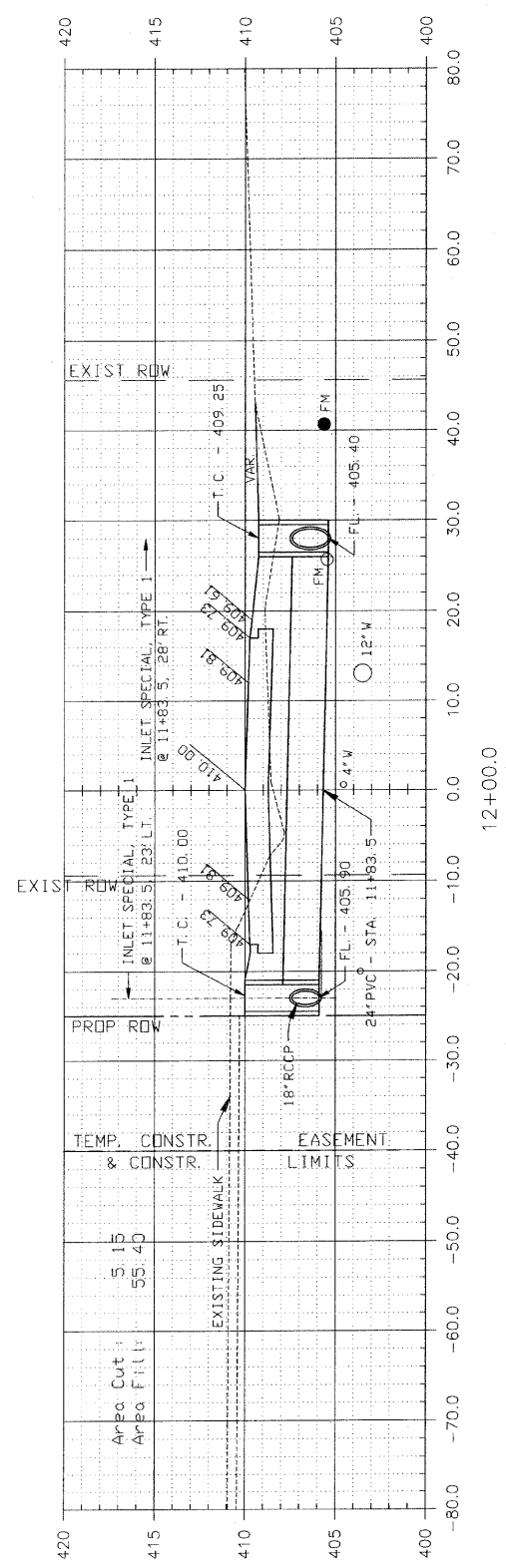


F. A. U. ROUTE	SECTION	COUNTY	TOTAL SHEETS	SHEET NUMBER
9732	00-00103-00-FP	JACKSON	37	21
CITY OF CARBONDALE		PROJECT NO. M-5008(19)		
CONTRACT NO. 99182		JOB NO. C99-504-03		

FEDERAL AID PROJECT



NOTE: CUT AND FILL AREA SHOWN ARE TO FINISH GRADE

CIP NO. ST0102 - REED STATION ROAD
CROSS SECTIONS
STA. 10+00 TO STA. 13+00