

T.R.	SECTION	COUNTY	TOTAL SHEETS	SHEET NO.
125	06-09121-00-BR	WHITE	13	3
FED. ROAD DIST. NO. 9 ILLINOIS		FED. AID PROJECT		323 W. 3RD ST. P.O. BOX 160 MIL CARMEIL, IL 62863
PROJECT# BROS-1931271		CONTRACT# 99371		PHONE: (618)-262-8651
JOB NO. C-99-539-06		BROAD RUN		FAX: (618)-263-3327

405 W. STATE ST
SUITE
PRINCETON, IN
47670
PHONE:
(812)-386-7611
FAX:
(812)-385-2812



PROFESSIONAL DESIGN FIRM
LAND SURVEY & PROFESSIONAL ENGINEERING CORPORATION
184-000887
(62-032435)(35-002769)



AARON M. MEFFORD
NAME
Aaron M. Mefford
SIGNATURE
3-10-09
DATE
11-30-09
EXPIRES

TOWNSHIP ROUTE 125
OVER BROAD RUN
WHITE COUNTY, ILLINOIS

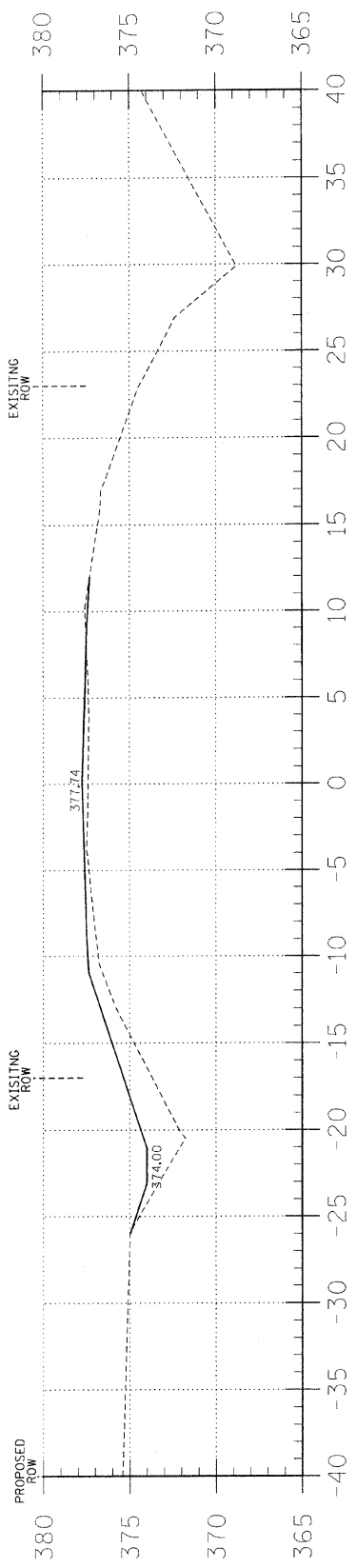
SHEET TITLE:

CROSS-SECTIONS

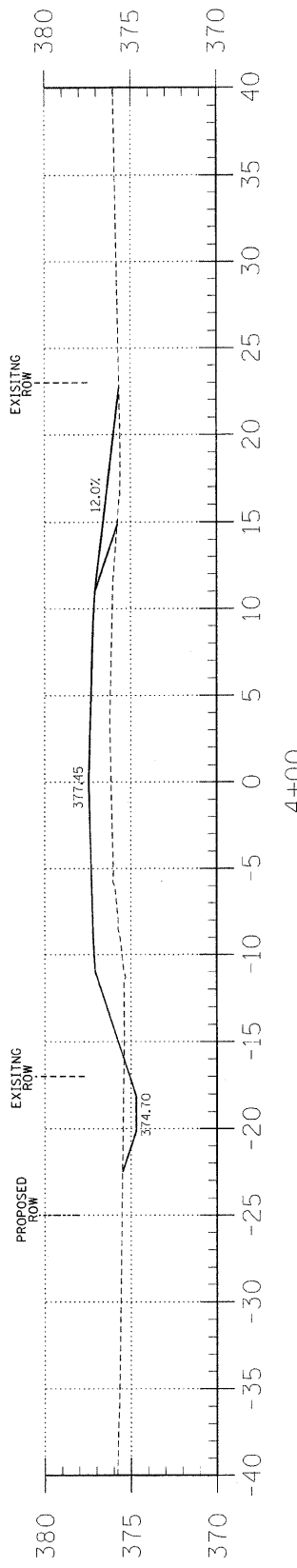
SCALE: 1" = 5'
BY: AMM
DATE: 3/06/09
REV:

3 OF 13 SHEETS

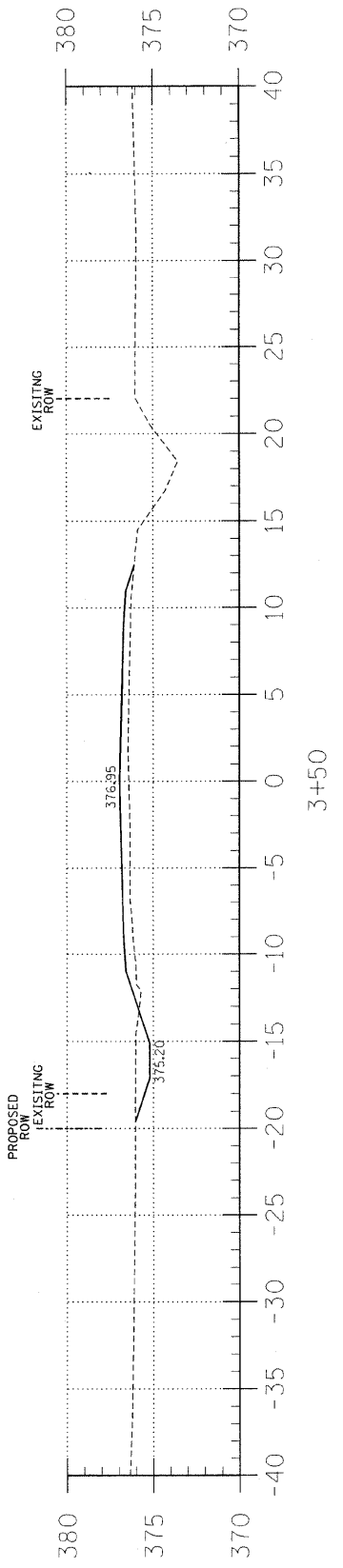
SHEET NO. 3



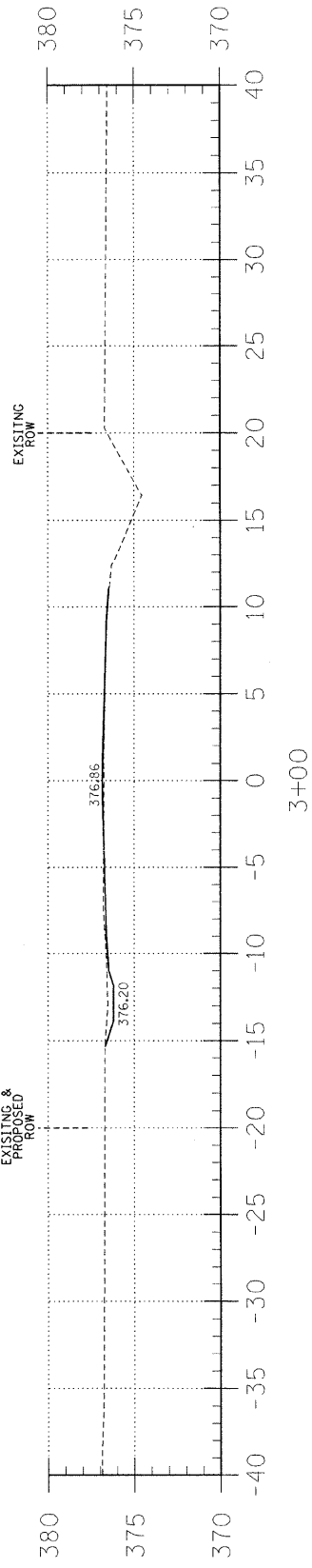
4+70



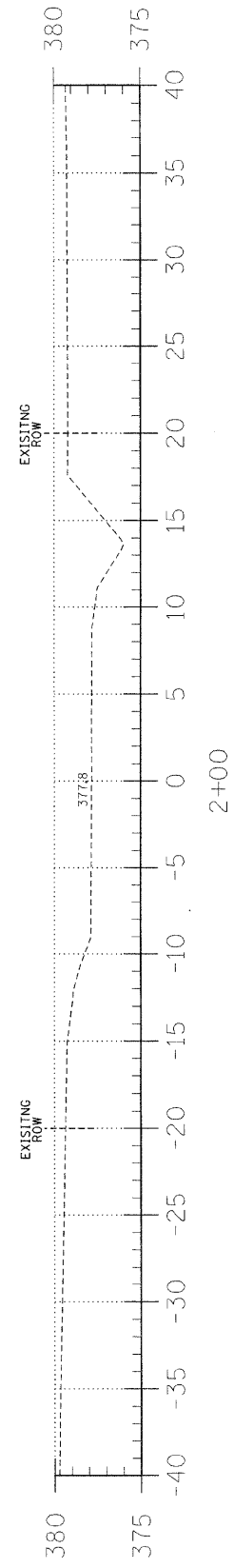
4+00



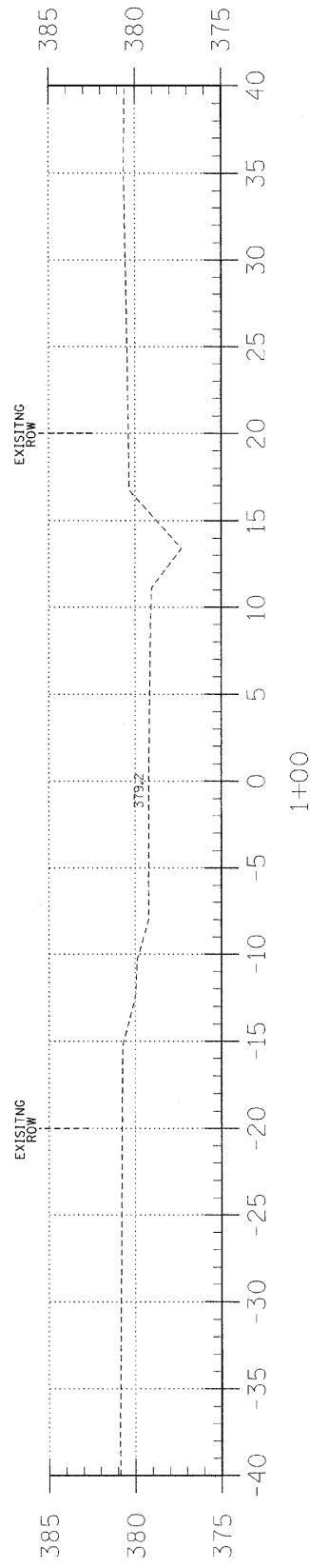
3+50



3+00



2+00



1+00

EARTHWORK SCHEDULE

LOCATION	EARTH EXCAVATION		CHANNEL EXCAVATION		ESTIMATED UNSUITABLE MATERIAL		SUITABLE MATERIAL ADJUSTED FOR SHRINKAGE		EMBANKMENT		EARTHWORK BALANCE WASTE (+) OR SHORTAGE (-)	
	CUBIC YARD	CUBIC YARD	CUBIC YARD	CUBIC YARD	CUBIC YARD	CUBIC YARD	CUBIC YARD	CUBIC YARD	CUBIC YARD	CUBIC YARD	CUBIC YARD	CUBIC YARD
STA 0+00 TO 4+71.8	25.6	0.0	0.0	0.0	0.0	19.2	19.2	129.7	129.7	-110.5	-110.5	
STA 4+71.8 TO 5+28.2	0.0	159.8	159.8	79.9	79.9	59.9	59.9	0.0	0.0	59.9	59.9	
STA 5+28.2 TO 10+00	6.5	0.0	0.0	0.0	0.0	4.9	4.9	128.8	128.8	-123.9	-123.9	
1 FIELD ENTRANCE	0.0	0.0	0.0	0.0	0.0	0.0	0.0	7.7	7.7	-7.7	-7.7	
TOTAL	32.1	159.8	159.8	79.9	79.9	84.0	84.0	266.2	266.2	-182.2	-182.2	