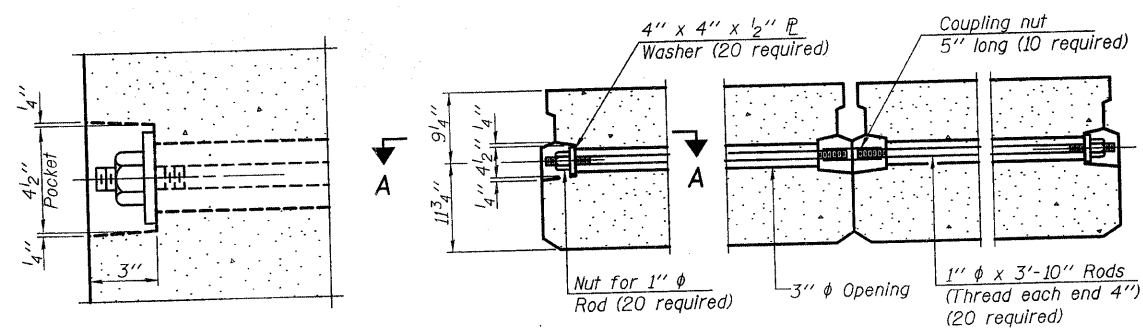


FABRIC BEARING PAD
(Interior)

FABRIC BEARING PAD
(Exterior)

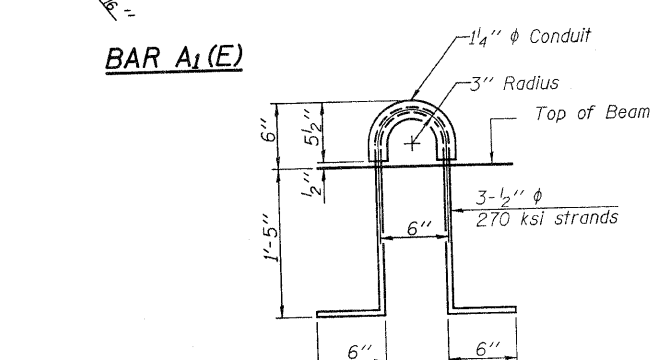
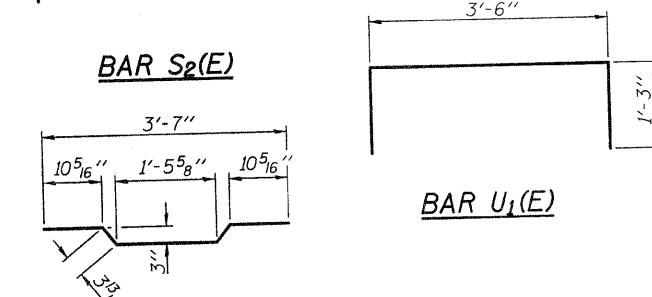
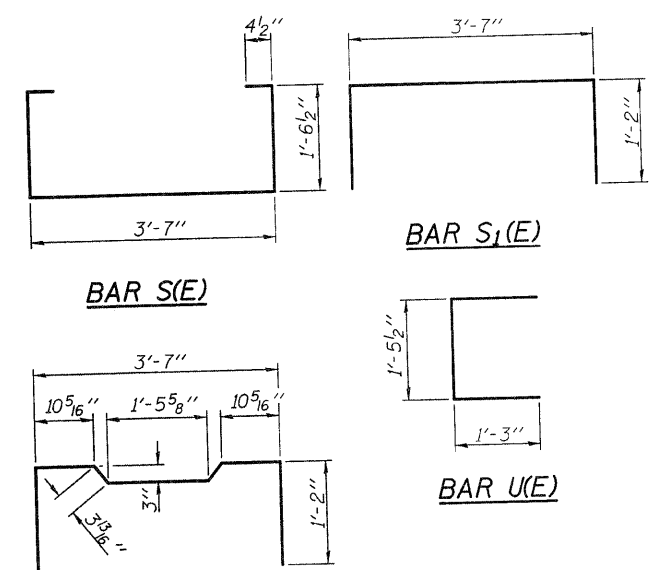
FIXED

Note: Omit holes when using expansion bearings.

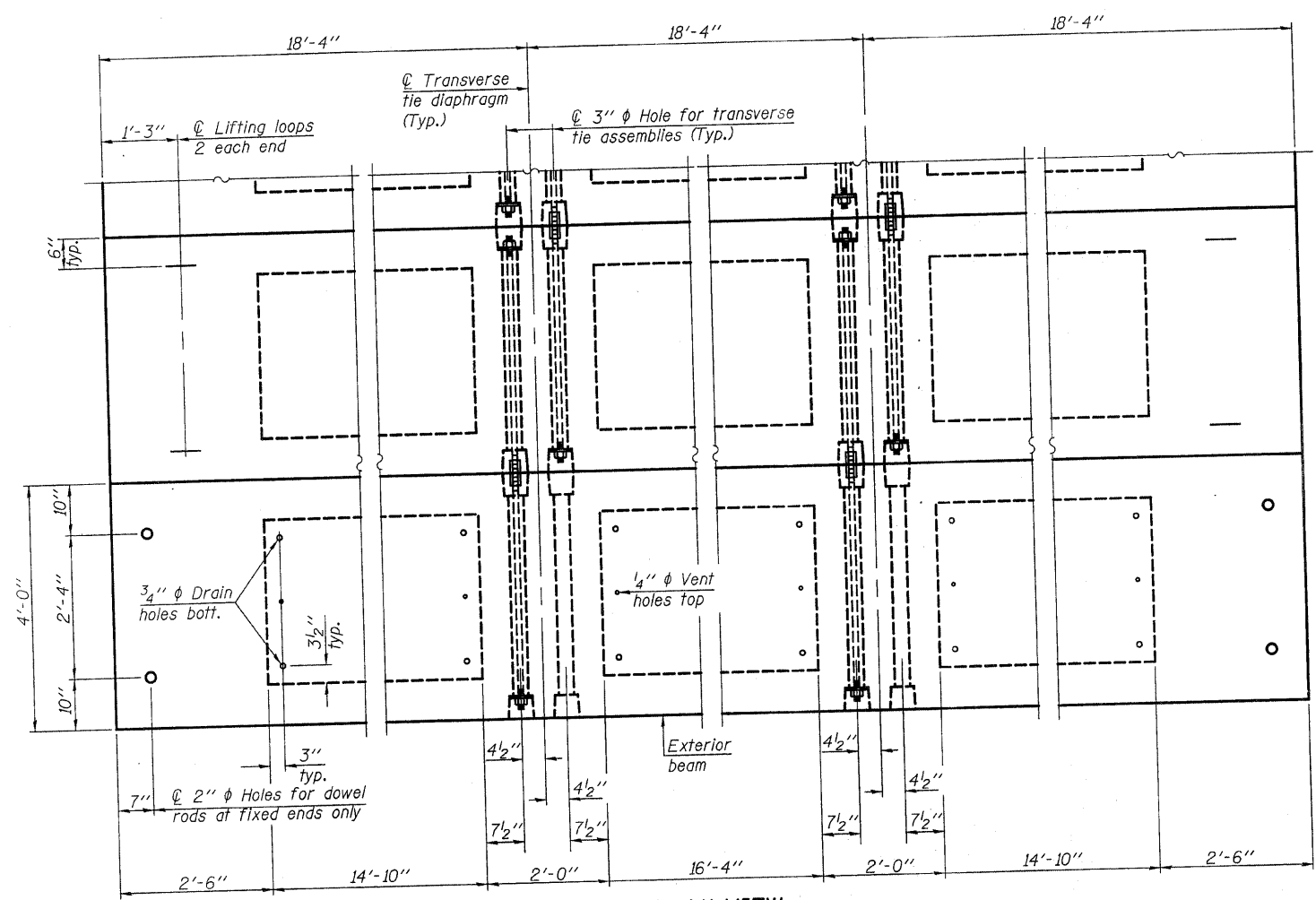


SECTION A-A

TYPICAL TRANSVERSE TIE ASSEMBLY



LIFTING LOOP DETAIL



PLAN VIEW

Note: Connect beams in pairs with the transverse tie configuration shown.

NOTES

Prestressing steel shall be uncoated high strength, low relaxation 7-wire strand, Grade 270. The nominal diameter shall be 1/2 inch and the nominal cross-sectional area shall be 0.153 sq. in. The 1 inch rods in the transverse tie assembly shall be tightened to a snug fit and the threads set. Pockets on exterior faces of bridge shall be filled with grout after transverse tie assembly is in place. Reinforcement bars shall conform to ASTM A 706, Grade 60. (See Special Provisions). Two 1/8 inch fabric adjusting shims of the dimensions of the exterior bearing pad shall be provided for each bearing pad location. A minimum 2 1/2 inch lifting pin shall be used to engage the lifting loops during handling. Corrosion Inhibitor, per Article 1020.05(b)(12) and 1021.06 of the Standard Specifications, shall be used in the concrete for precast prestressed concrete deck beams. Compressive strength of prestressed concrete, f'c, shall be 6000 psi. Compressive strength of prestressed concrete at release, f'ci, shall be 5000 psi.

DESIGNED - S.M.S.
CHECKED - S.W.M.
DRAWN - D.T.M.
CHECKED - D.A.B.

PD-2148-0D 10-1-08

BILL OF MATERIAL

Precast Prestressed Conc. Deck Bms. (21" depth)	Sq. Ft.	1,320
---	---------	-------

SUPERSTRUCTURE
21" X 48" PPC DECK BEAM DETAILS
STRUCTURE NO. 097-3252

HAMPTON, LENZINI & RENWICK, INC. CIVIL & STRUCTURAL ENGINEERS LAND SURVEYORS HLR 3085 STEVENSON DRIVE, SUITE 201 SPRINGFIELD, ILLINOIS 62703 (217) 648-3400 PROJECT NUMBER: 08.0268.130 DATE: 03/03/09	SHEET NO. 3	T.R.	SECTION	COUNTY	TOTAL SHEETS	SHEET NO.
	9 SHEETS	125	06-09121-00-BR	WHITE	13	7
MILL SHOALS ROAD DISTRICT				CONTRACT NO. 99371		
FED. ROAD DIST. NO.		ILLINOIS		FED. AID PROJECT BROS-193(27)		