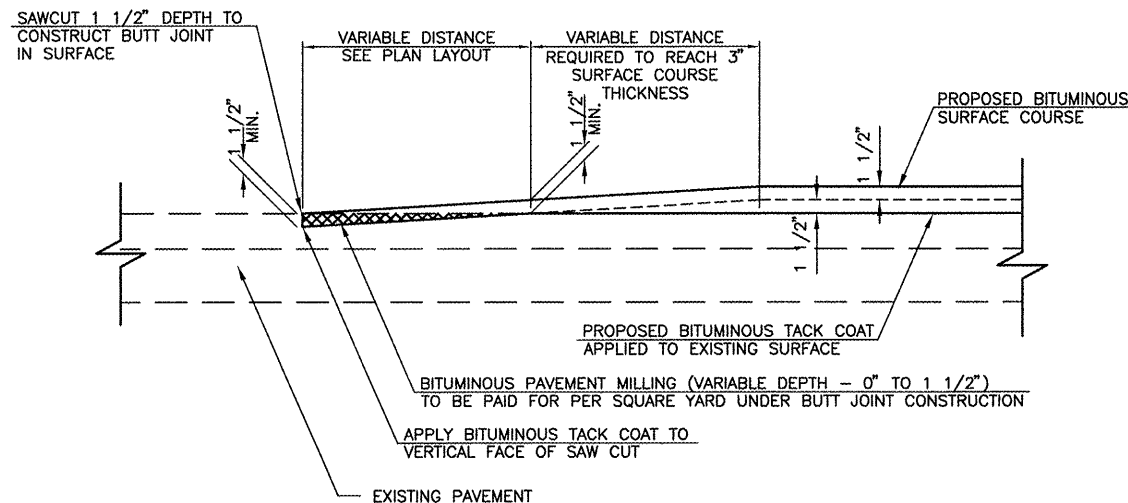


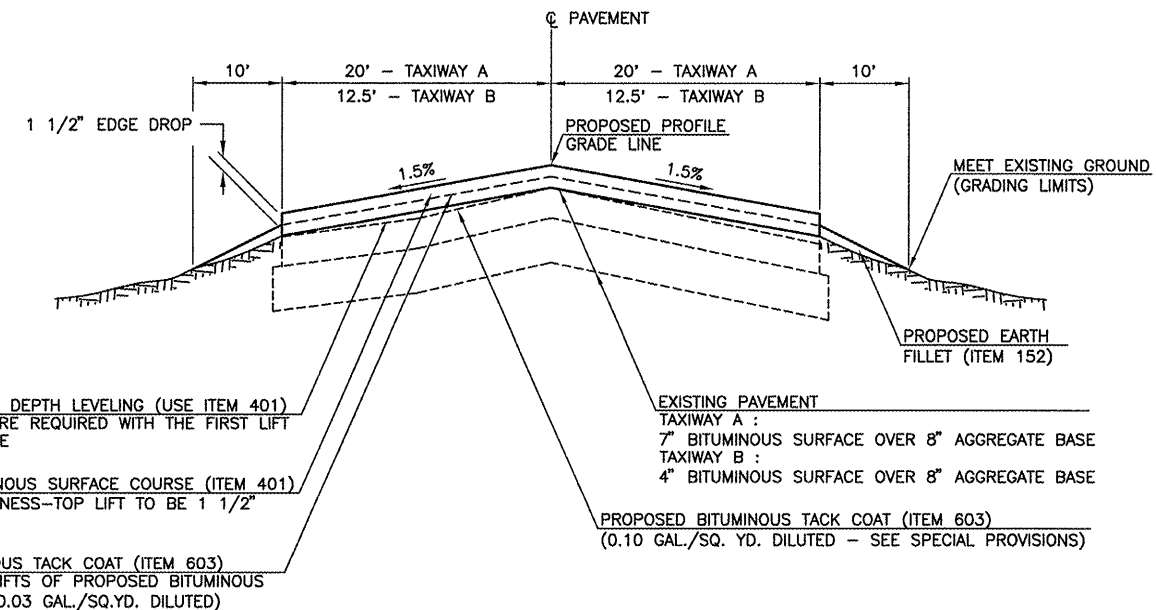
BASE COURSE CRACK REPAIR DETAIL
NOT TO SCALE



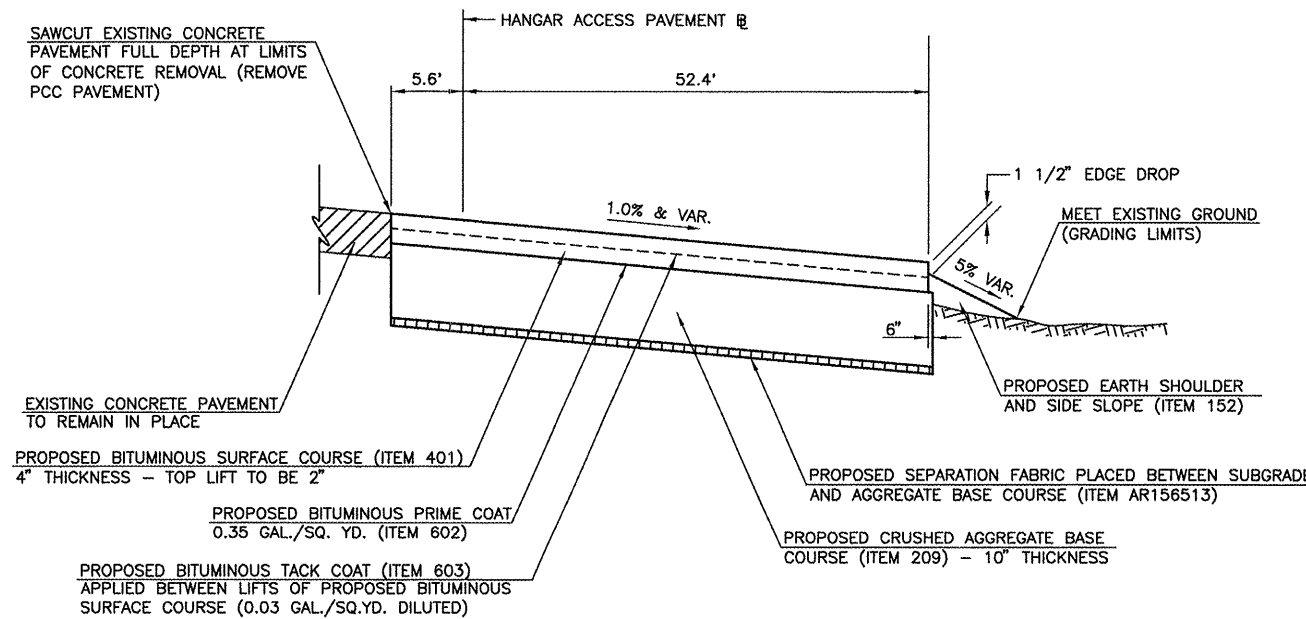
BITUMINOUS BUTT JOINT CONSTRUCTION DETAIL
NOT TO SCALE

GENERAL NOTES

1. OPEN PAVING JOINTS AND/OR CRACKS IN THE EXISTING SURFACE OF THE PAVEMENT SHALL BE DESIGNATED BY THE PROJECT ENGINEER IN THE FIELD TO BE REPAIRED PRIOR TO PLACING THE BITUMINOUS SURFACE COURSE. THIS WORK SHALL BE PERFORMED IN ACCORDANCE WITH THE SPECIAL PROVISIONS FOR BITUMINOUS CRACK REPAIR.
2. THE QUANTITIES FOR CRACK REPAIR HAVE BEEN ESTIMATED BY MEASURING CRACK REPAIR IN SELECTED REPRESENTATIVE LOCATIONS ON THE PAVEMENT. THESE QUANTITIES MAY BE INCREASED OR REDUCED AT THE TIME OF CONSTRUCTION BASED UPON THE CRACK WORK THAT IS MARKED OUT BY THE RESIDENT ENGINEER AFTER FIELD INSPECTION OF THE PAVEMENT CRACKS.
3. THE BITUMINOUS SURFACE COURSE SHALL BE ABUTTED TO THE EXISTING PAVEMENT AT INTERSECTING PAVEMENTS AS SHOWN ON THE BITUMINOUS BUTT JOINT DETAIL. THE EXISTING PAVEMENT CONFINED WITHIN THE BITUMINOUS PAVEMENT MILLING AREA WILL BE REMOVED IN ACCORDANCE WITH THE DETAIL FROM 0 TO 1.5' DEPTH AT THE BUTT JOINT LOCATION. FILLING OF THE MILLED AREA WILL BE MADE USING BITUMINOUS SURFACE COURSE MIX AND WILL BE PAID FOR PER TON FOR BITUMINOUS SURFACE COURSE.



TAXIWAY TYPICAL SECTION
NOT TO SCALE



HANGAR ACCESS PAVEMENT TYPICAL SECTION
NOT TO SCALE

SEEDING NOTES

ALL AREAS DISTURBED BY THIS CONSTRUCTION PROJECT WITHIN THE GRADING LIMITS SHOWN IN THESE CONSTRUCTION PLANS SHALL BE LIMED, FERTILIZED, SEEDED AND MULCHED. THESE AREAS SHALL CONSTITUTE THE SEEDING AND MULCHING AREAS DESIGNATED FOR PAYMENT.

ALL OTHER AREAS DISTURBED BY THE CONTRACTOR INCLUDING THE CONTRACTOR'S PARKING AREA, HAUL ROUTES, ETC. SHALL BE REGRADED AND RESEEDED AND/OR RESTORED TO THEIR ORIGINAL CONDITION BY THE CONTRACTOR AT HIS OWN EXPENSE UPON COMPLETION OF THE IMPROVEMENTS.

A QUANTITY OF 0.7 AC. CONSTITUTES THE AREA FOR PAYMENT.

CASEY MUNICIPAL AIRPORT CASEY, ILLINOIS	
TYPICAL SECTIONS AND SPECIAL DETAILS	
HUTCHISON ENGINEERING, INC. JACKSONVILLE, ILLINOIS	
DRAWN BY: R.L.R. DATE: APRIL, 2009	ILL. PROJ. NO. 118-3858 AIP PROJ. NO. 3-17-0014-B9