

**EROSION CONTROL FABRIC FENCE DETAIL**

N.T.S.

**NOTES**

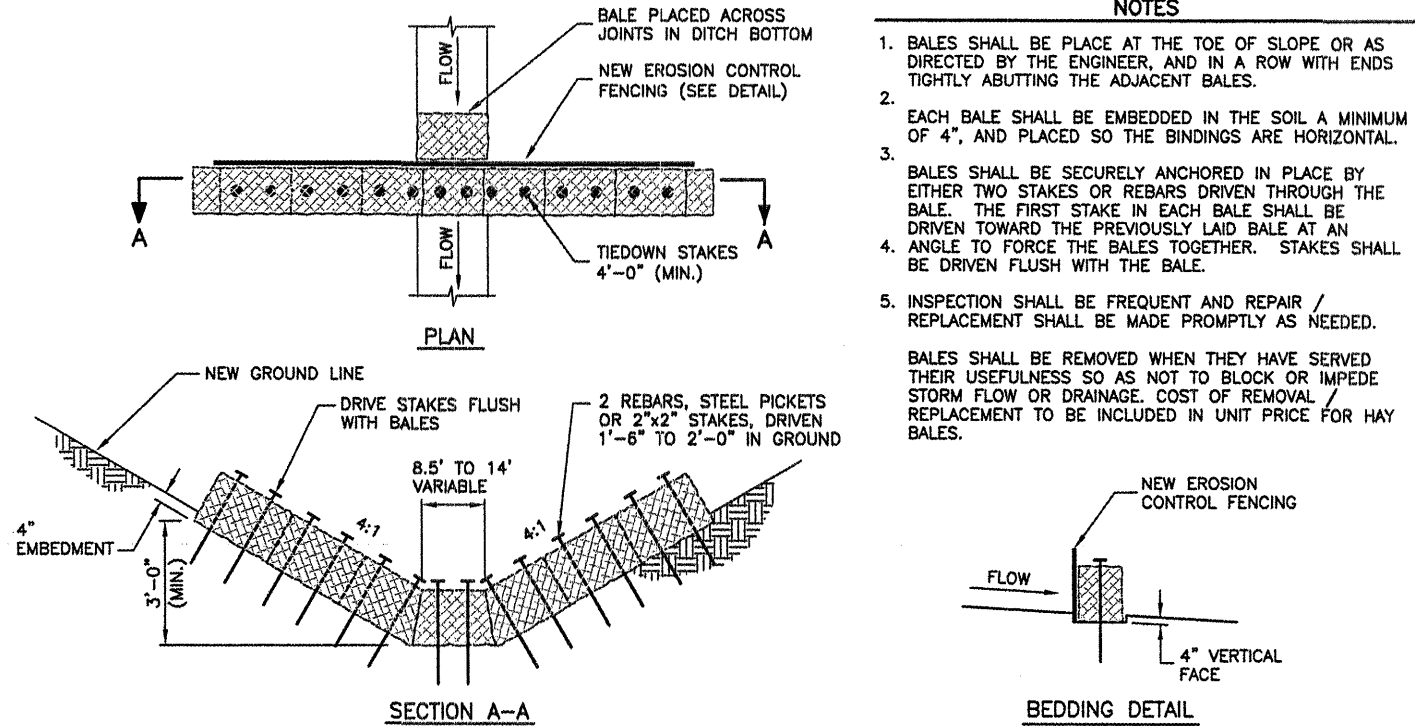
1. WOVEN WIRE FENCE TO BE FASTENED SECURELY TO FENCE POSTS WITH WIRE TIES OR STAPLES.
2. FILTER CLOTH TO BE FASTENED SECURELY TO WOVEN WIRE FENCE WITH TIES SPACED EVERY 2'-0" AT TOP AND MID SECTION.
3. WHEN TWO SECTIONS OF FILTER CLOTH ADJOIN EACH OTHER THEY SHALL BE OVERLAPPED BY 6" MINIMUM AND FOLDED.
4. MAINTENANCE SHALL BE PERFORMED AS NEEDED AND MATERIAL REMOVED WHEN "BULGES" DEVELOP IN THE SILT FENCE. MAINTENANCE, WHICH INCLUDES THE REPLACEMENT OF DAMAGED FENCE SHALL BE CONSIDERED INCIDENTAL TO THE COST OF THE EROSION CONTROL FENCE.

POSTS: STEEL EITHER T OR U TYPE OR 2" HARDWOOD.

FENCE: WOVEN WIRE, 14-1/2" GA. 6" MAX. MESH OPENING POLYPROPYLENE MESH, IF INCORPORATED IN PREFAB UNIT.

FILTER CLOTH: FILTER X, MIRAF1100X, STABILINKA T140N OR EQUAL.

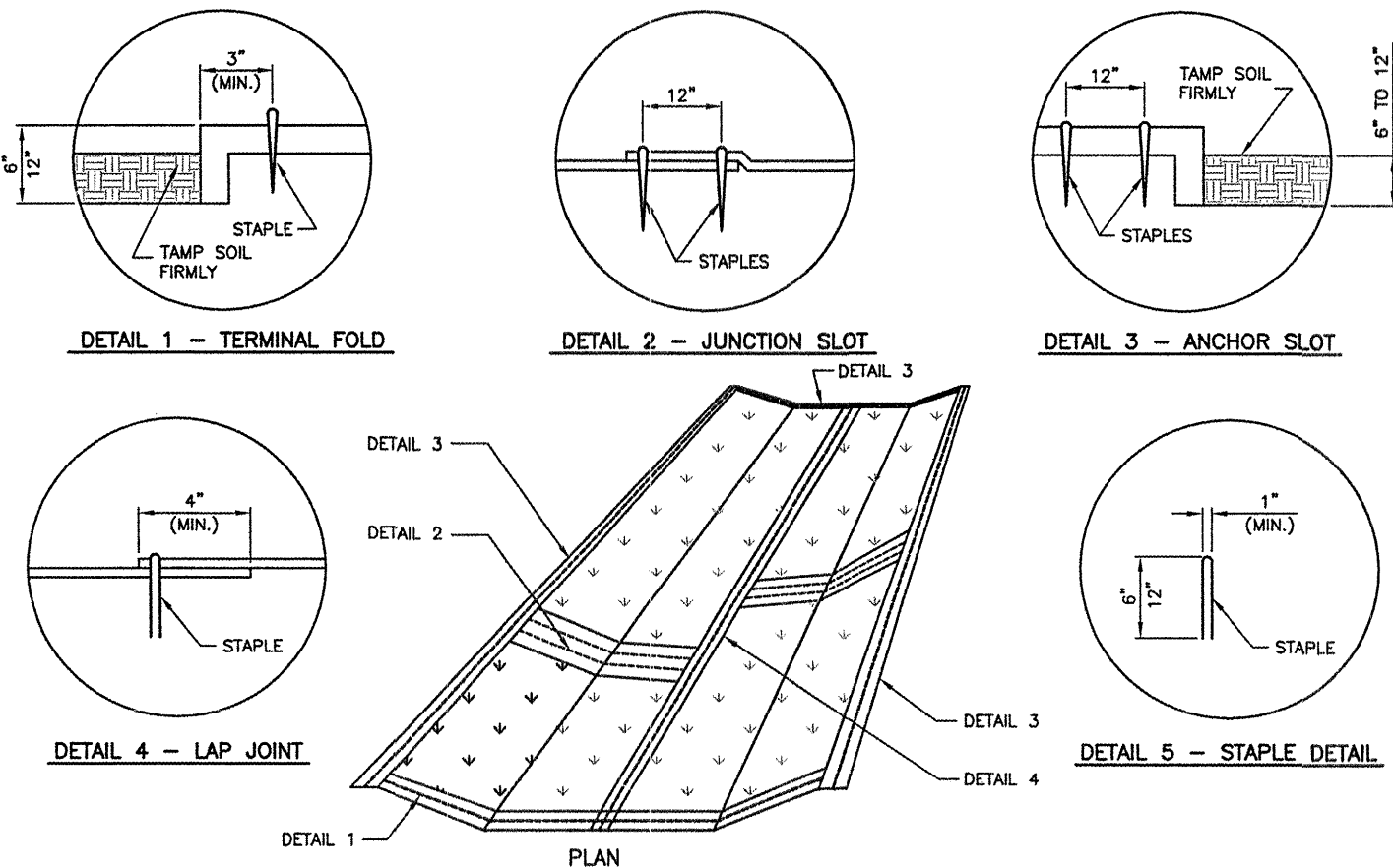
PREFABRICATED UNIT: GEOFAB ENVIRONFENCE, GSI SILT FENCE WITH REINFORCING MEAH OR EQUAL.



**TEMPORARY DITCH CHECK**

N.T.S.

- NOTES**
1. BALES SHALL BE PLACE AT THE TOE OF SLOPE OR AS DIRECTED BY THE ENGINEER, AND IN A ROW WITH ENDS TIGHTLY ABUTTING THE ADJACENT BALES.
  2. EACH BALE SHALL BE EMBEDDED IN THE SOIL A MINIMUM OF 4", AND PLACED SO THE BINDINGS ARE HORIZONTAL.
  3. BALES SHALL BE SECURELY ANCHORED IN PLACE BY EITHER TWO STAKES OR REBARS DRIVEN THROUGH THE BALE. THE FIRST STAKE IN EACH BALE SHALL BE DRIVEN TOWARD THE PREVIOUSLY LAID BALE AT AN ANGLE TO FORCE THE BALES TOGETHER. STAKES SHALL BE DRIVEN FLUSH WITH THE BALE.
  5. INSPECTION SHALL BE FREQUENT AND REPAIR / REPLACEMENT SHALL BE MADE PROMPTLY AS NEEDED.
- BALES SHALL BE REMOVED WHEN THEY HAVE SERVED THEIR USEFULNESS SO AS NOT TO BLOCK OR IMPEDE STORM FLOW OR DRAINAGE. COST OF REMOVAL / REPLACEMENT TO BE INCLUDED IN UNIT PRICE FOR HAY BALES.



**EXCELSIOR BLANKET DETAILS**

N.T.S.

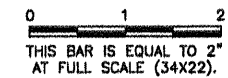
**NOTES**

1. STAPLES TO BE PLACED ALTERNATELY, IN COLUMNS APPROXIMATELY 2' APART AND IN ROWS APPROXIMATELY 3' APART.
2. EROSION CONTROL MATERIAL SHALL BE PLACED LOOSELY OVER GROUND SURFACE. DO NOT STRETCH.
3. ALL TERMINALS ENDS AND TRANSVERSE LAPS SHALL BE STAPLED AT APPROXIMATELY 12" INTERVALS.

K:\Pinckneyville\AP\0706203 SITE WORK HGR\Draw\Sheet  
FILE: EROSDT01.dwg  
UPDATE BY: Dale Draughan  
PLOT DATE: 4/17/2009 1:45 PM

**REVISIONS**

NUMBER	BY	DATE



PINCKNEYVILLE-DUQUOIN AIRPORT  
PERRY COUNTY, ILLINOIS  
T-HANGAR SITE WORK  
EROSION CONTROL DETAILS

© Copyright CMT, Inc.  
**CMT**  
CRAWFORD, MURPHY & TILLY, INC.  
CONSULTING ENGINEERS  
License No. 184-000673

DESIGN BY: TJH  
DRAWN BY: CMT  
CHECKED BY: JEF  
APPROVED BY: JEF  
DATE: 4/17/2009  
JOB No: 07062-03-00  
IL PROJECT NO. PJY-3373  
A.I.P. PROJECT NO. 3-17-0037-B6  
SHEET 15 OF 17 SHEETS