

RO017  
5A

**CMT**  
CRAWFORD, MURPHY & TILLY, INC.  
CONSULTING ENGINEERS  
Copyright CMT, Inc.

Chicago Rockford  
International  
Airport

**FLYRFD.COM**

ROCKFORD, ILLINOIS  
GREATER ROCKFORD  
AIRPORT AUTHORITY  
3-17-0088-XX  
RFD-3909

REHAB. TWY B SOUTH  
PHASE 2

Revisions

Date	Description

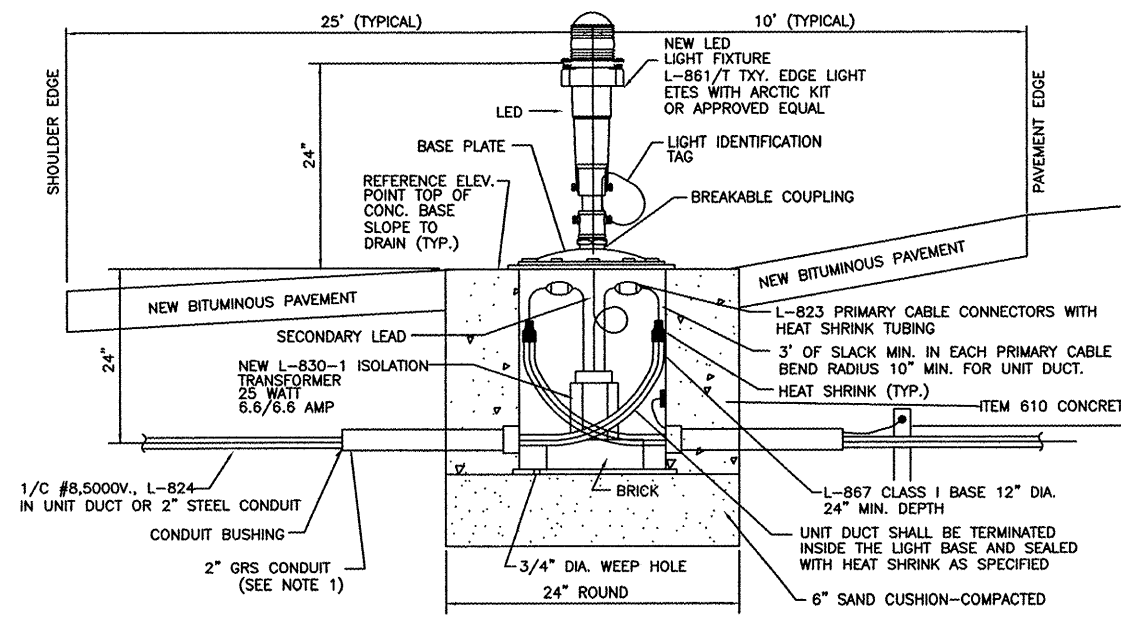
0 1  
THIS BAR IS EQUAL TO 1"  
AT FULL SCALE (17 X 11).

DESIGN BY: CMT-ARR  
DRAWN BY: CMT-ARR  
CHECKED BY: CMT-ARR  
APPROVED BY: CMT-RFD  
DATE: 5/8/2009  
JOB No: 09258-04-00

**ELECTRICAL  
DETAILS - 2  
(ELD2)**

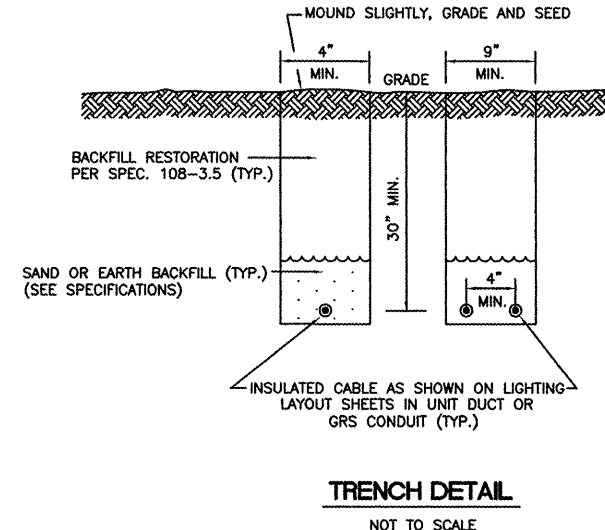
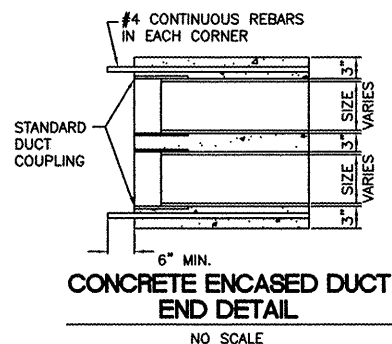
29

SHEET 29 OF 59 SHEETS



**NEW BASE MOUNTED MEDIUM INTENSITY LED TAXIWAY LIGHT**  
NOT TO SCALE

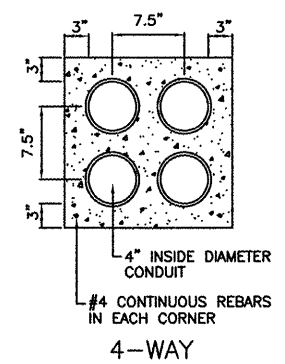
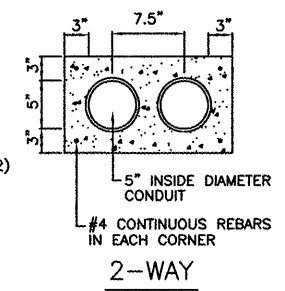
- INSTALL 2" PVC TO GRS ADAPTER WHERE PVC CONCRETE WILL BE INSTALLED UNDER PAVED SHOULDER.
- INSTALL 1/C #6 AWG BARE COPPER GROUND JUMPER CONNECTED TO GROUND LUG INSIDE BASE CAN AND EXOTHERMICALLY WELD TO TO GROUND ROD. INSTALL GROUND LUG INSIDE EXISTING CAN.
- NEW/REPLACE TAXIWAY EDGE LIGHT SHALL BE FAA APPROVED L-861 T LED, MODEL ETES WITH ARCTIC KIT (HEATER) AS MANUFACTURED BY ADB OR APPROVED EQUAL. LED LIGHT FIXTURES SHALL BE APPROVED AND SUITABLE FOR COLD CLIMATE.



**NOTES**

- TRENCHES WITH MORE THAN 2 CABLES SHALL BE INCREASED 3" IN WIDTH FOR EACH ADDITIONAL CABLE. IF SPECIFIED ON PLANS, TWO PARALLEL TRENCHES MAY BE CONSTRUCTED.
- DEPTH OF TRENCHES SHALL BE AS SHOWN UNLESS OTHERWISE SPECIFIED ON THE PLANS.
- SAND BACKFILL SHALL BE USED IF THE EXISTING SOIL DOES NOT MEET THE BACKFILL REQUIREMENTS.
- ALL DISTURBED SURFACES SHALL BE RESTORED TO THEIR ORIGINAL CONDITION. COST IS INCIDENTAL.

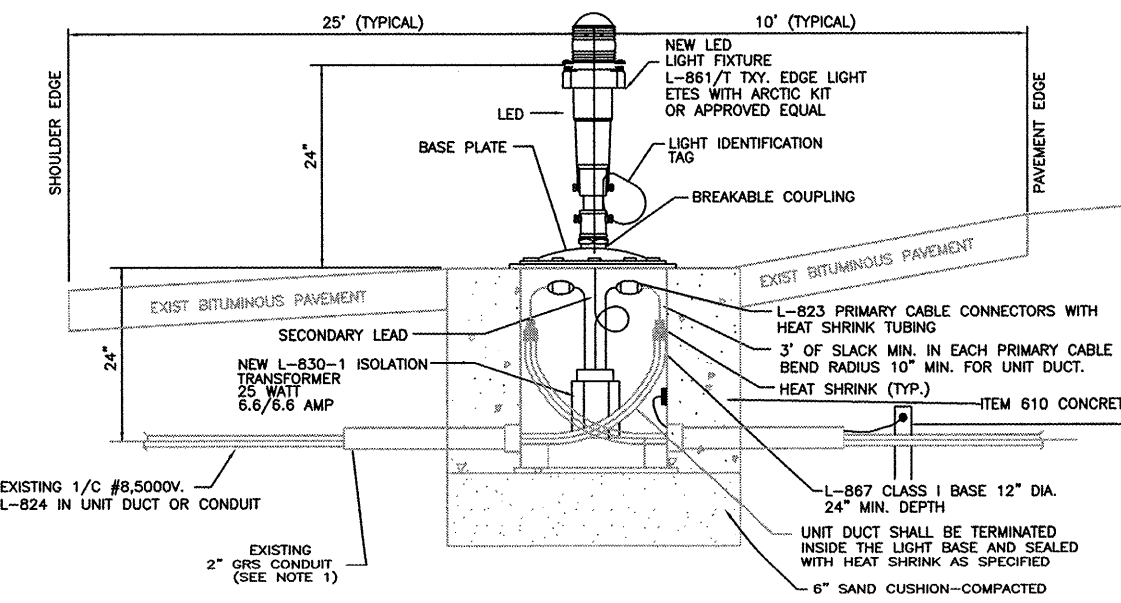
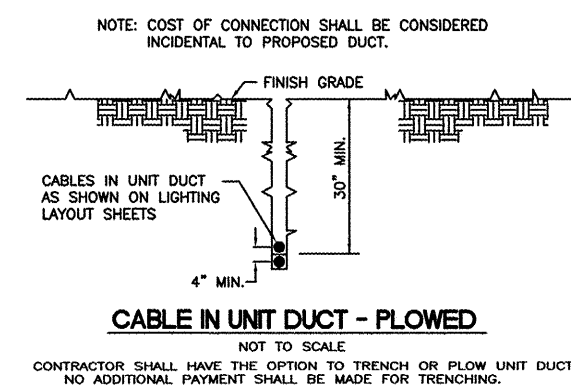
NOTE: AT CONTRACTOR'S OPTION, CABLE PLOWING MAY BE USED IN LIEU OF TRENCHING.



**CONCRETE ENCASED DUCT BANKS**  
NOT TO SCALE

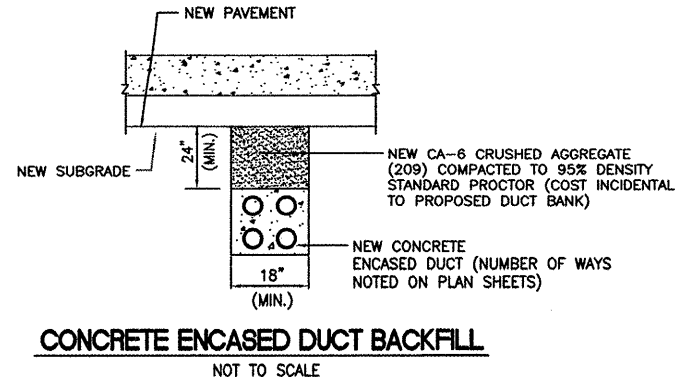
**NOTES:**

- DIMENSIONS ARE MINIMUM.
- CONCRETE SHALL CONFORM TO ITEM 610.
- ALL CONDUIT SHALL BE SCHEDULE 40 PVC.
- TOP OF CONCRETE ENCASEMENT IN TURF AREAS SHALL NOT BE LESS THAN 24" BELOW FINISHED GRADE.



**REPLACE EXISTING MEDIUM INTENSITY TAXIWAY LIGHT W/ LED**  
NOT TO SCALE

- INSTALL 1/C #6 AWG BARE COPPER GROUND JUMPER CONNECTED TO GROUND LUG INSIDE BASE CAN AND EXOTHERMICALLY WELD TO TO GROUND ROD. INSTALL GROUND LUG INSIDE EXISTING CAN.
- NEW/REPLACE TAXIWAY EDGE LIGHT SHALL BE FAA APPROVED L-861 T LED, MODEL ETES WITH ARCTIC KIT (HEATER) AS MANUFACTURED BY ADB OR APPROVED EQUAL. LED LIGHT FIXTURES SHALL BE APPROVED AND SUITABLE FOR COLD CLIMATE.
- CONTRACTOR SHALL REMOVE EXISTING LIGHT FIXTURE AND ISOLATION TRANSFORMER, AND DELIVER TO A LOCATION DESIGNATED BY THE AIRPORT.



**ELECTRICAL DETAILS - 2  
(ELD2)**

XREF DWG: 101.dwg  
 K01\_101.dwg  
 IMAGE FILES: 101-rfd\_logo.jpg  
 UPDATE BY: Jeremy Linke  
 LAYOUT: 29-ELD2  
 DATE: Monday, May 11, 2009 4:00:04 PM  
 FILE: K:\Rockford\0925804 Rehab Twy B South PAV\Draw Sheet\29-31-ELD1-4.dwg