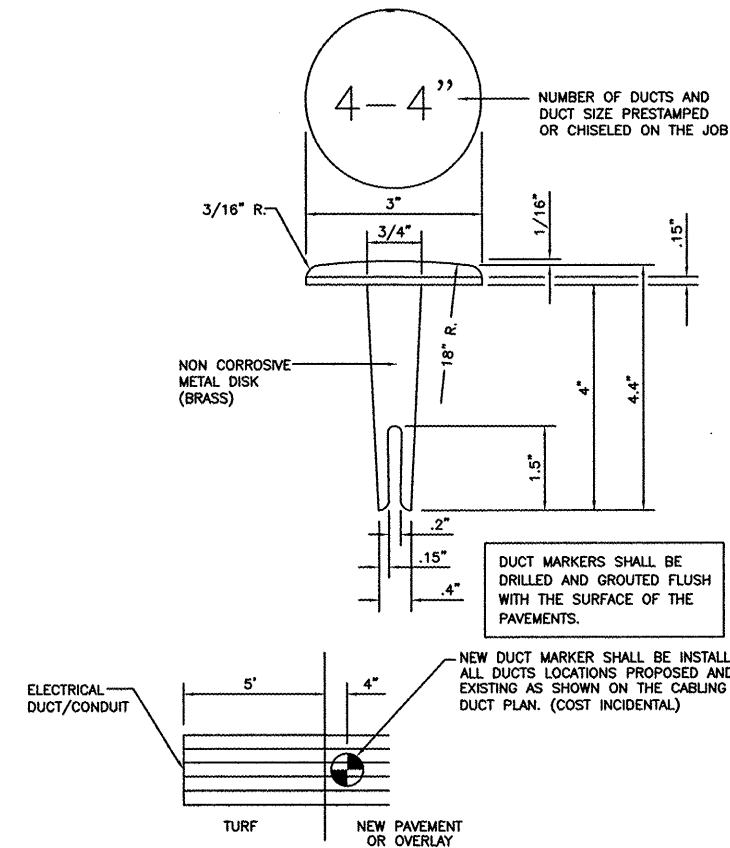
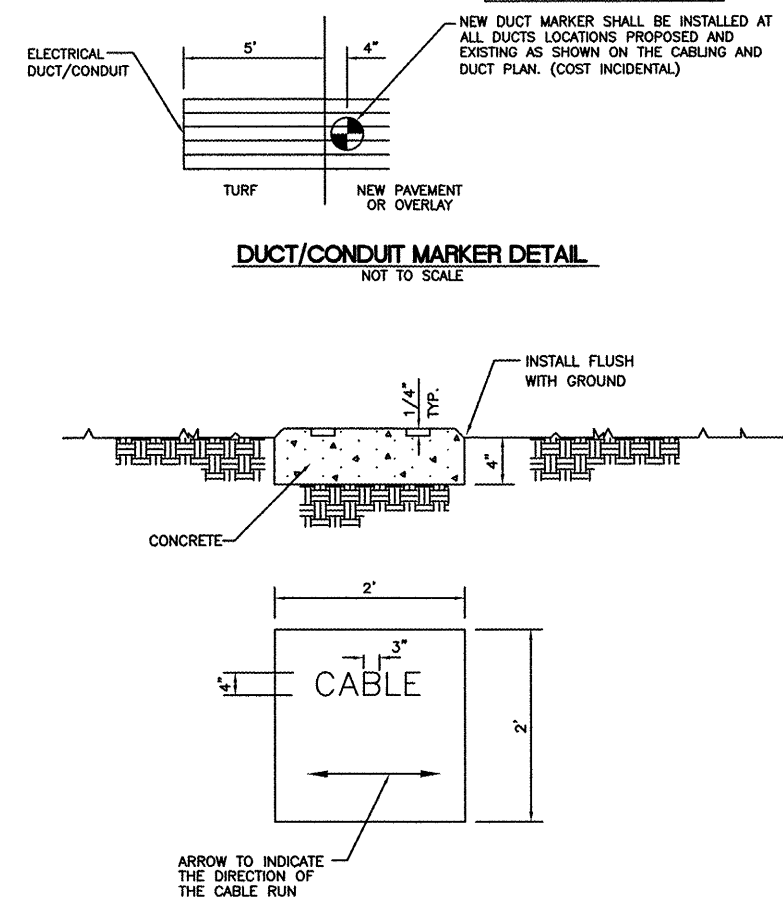


DATE: Monday, May 11, 2009 4:00:09 PM
 FILE: K:\Rockford\092528\Rehab_Twy_B_South_Ph2\Draw Sheets\28-31-ELD1.dwg
 UPDATE BY: Jeremy Linko
 LAYOUT: 30-ELD3
 IMAGE FILES: 101-101-HD-loggo.jpg
 SHEET DIMS: 11.00 x 17.00
 SHEET NO: 30 OF 59

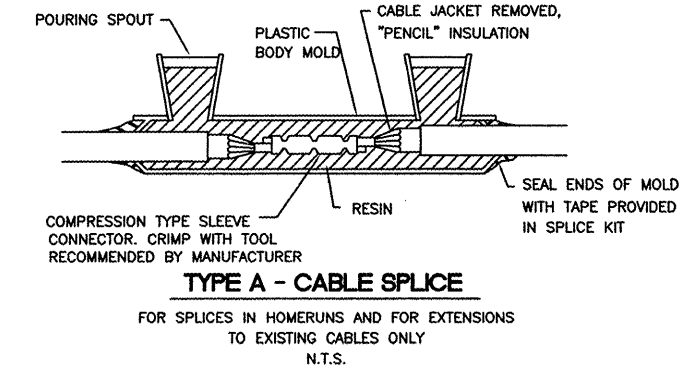


DUCT/CONDUIT MARKER DETAIL
NOT TO SCALE

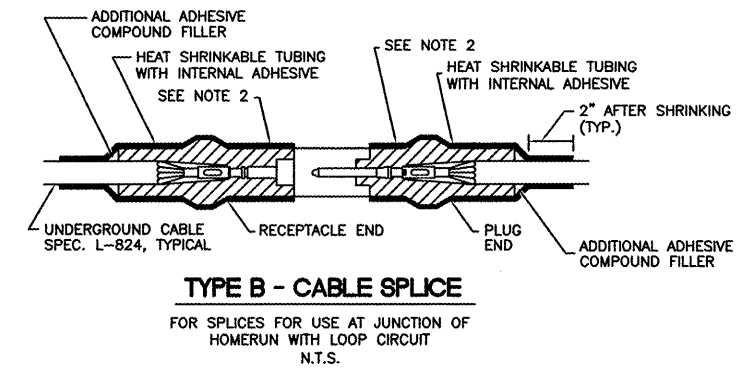


TURF CABLE MARKER DETAIL
NOT TO SCALE

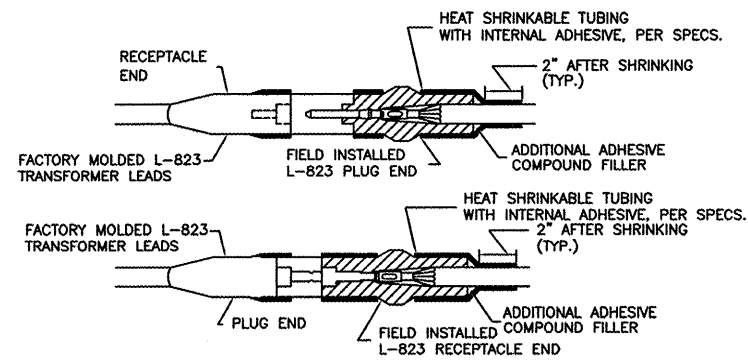
- NOTES:**
- 1.) CABLE MARKERS SHALL BE INSTALLED AT ALL BENDS AND EVERY 200' ALONG THE CABLE RUN.
 - 2.) ITEM 610 CONCRETE SHALL BE USED.
 - 3.) ALL EXPOSED EDGES SHALL BE EDGED WITH A 1/4" RADIUS TOOL.
 - 4.) THE COST OF FURNISHING AND INSTALLING NEW MARKERS SHALL BE INCIDENTAL TO THE ASSOCIATED CABLE ITEMS.
 - 5.) 0.049 CU. YD. CONCRETE PER MARKER.



TYPE A - CABLE SPLICE
FOR SPLICES IN HOMERUNS AND FOR EXTENSIONS TO EXISTING CABLES ONLY
N.T.S.

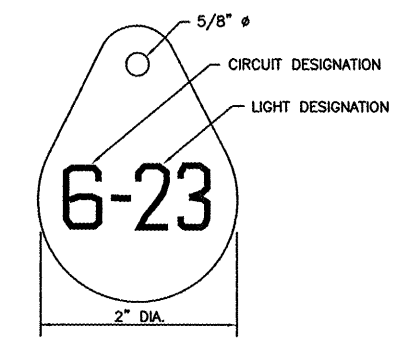


TYPE B - CABLE SPLICE
FOR SPLICES FOR USE AT JUNCTION OF HOMERUN WITH LOOP CIRCUIT
N.T.S.



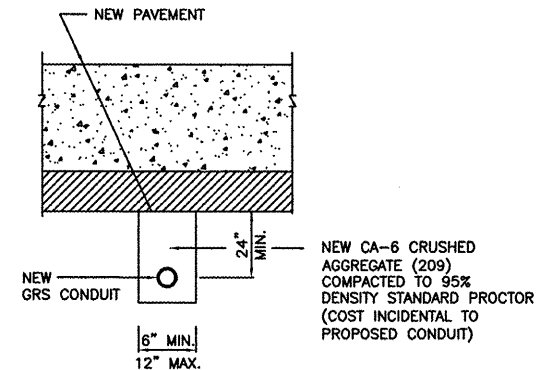
TYPE C AND D - CABLE SPLICE
FOR SPLICES AT RUNWAY/TAXIWAY LIGHTS AND SIGNS
N.T.S.

- NOTES**
1. INSIDE DIAMETER OF CONNECTOR SHALL PROPERLY MATCH THE OUTSIDE DIAMETER OF CABLE.
 2. WRAP WITH AT LEAST ONE LAYER OF RUBBER OR SYNTHETIC RUBBER TAPE AND ONE LAYER OF PLASTIC TAPE, ONE-HALF LAPPED, EXTENDING AT LEAST 1-1/2 INCHES ON EACH SIDE OF JOINT.
 3. THE COST OF FURNISHING AND INSTALLING ALL SPLICE MATERIALS SHALL BE INCIDENTAL TO THE ASSOCIATED CABLE ITEMS.
 4. THE CONTRACTOR SHALL HAVE A MINIMUM OF TWO (2) TYPE A SPLICE KITS ON THE JOB SITE AT ALL TIMES FOR EMERGENCY REPAIRS.



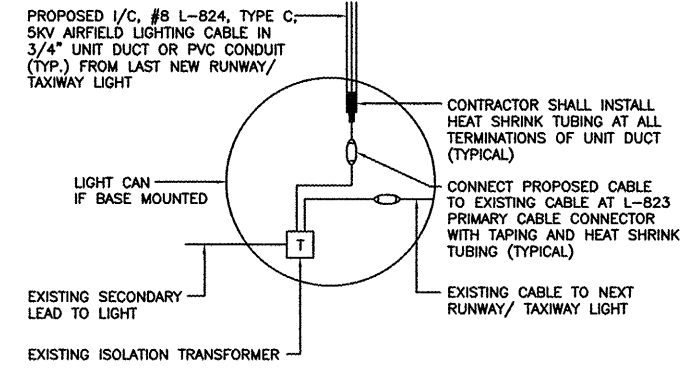
LIGHT IDENTIFICATION DETAIL
NOT TO SCALE

- NOTES:**
1. INSTALL A NONCORROSIVE DISC OF 2" MINIMUM DIAMETER WITH THE NUMBER PERMANENTLY STAMPED, CUT OUT, OR ENGRAVED UNDER THE HEAD OF THE BASE PLATE BOLT OR ATTACHED TO LIGHT FLANGE WITH A SET SCREW.
 2. NUMERALS SHOWN ARE FOR ILLUSTRATIVE PURPOSES ONLY. ALL EXISTING AND PROPOSED TAXIWAY AND RUNWAY LIGHTS SHALL BE TAGGED AS DIRECTED BY THE RESIDENT ENGINEER. ALL LIGHTS ON EXISTING CIRCUITS THAT HAVE LIGHTING IMPROVEMENTS (NEW OR RELOCATED LIGHTS) SHALL BE RETAGGED.
 3. COST OF TAGGING LIGHTS SHALL NOT BE PAID FOR SEPARATELY BUT SHALL BE CONSIDERED INCIDENTAL TO THE CONTRACT.



GRS CONDUIT UNDER P.C.C. PAVEMENT DETAIL
NOT TO SCALE

NEW DUCT BANK/CONDUIT SHALL BE INSTALLED AT AN ELEVATION THAT WILL NOT CONFLICT WITH EXISTING OR NEW UTILITIES INCLUDING STORM SEWER, UNDERDRAIN, CONDUIT, DUCT, GAS, WATERMAIN, PHONE, ELECTRICAL AT NO ADDITIONAL COST TO THE CONTRACT.



RUNWAY/TAXIWAY LIGHTING CIRCUIT CONNECTION DETAIL
NOT TO SCALE

ELECTRICAL DETAILS - 3 (ELD3)

RO017
5A



Chicago Rockford International Airport



ROCKFORD, ILLINOIS
GREATER ROCKFORD AIRPORT AUTHORITY
3-17-0088-XX
RFD-3909

REHAB. TWY B SOUTH PHASE 2

Revisions

Date	Description

0 1
THIS BAR IS EQUAL TO 1" AT FULL SCALE (17 X 11).

DESIGN BY: CMT-ARR
 DRAWN BY: CMT-ARR
 CHECKED BY: CMT-ARR
 APPROVED BY: CMT-RFD
 DATE: 5/8/2009
 JOB No: 09258-04-00

ELECTRICAL DETAILS - 3 (ELD3)

30