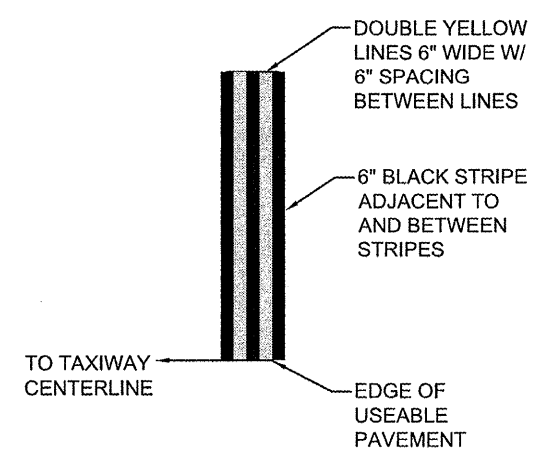
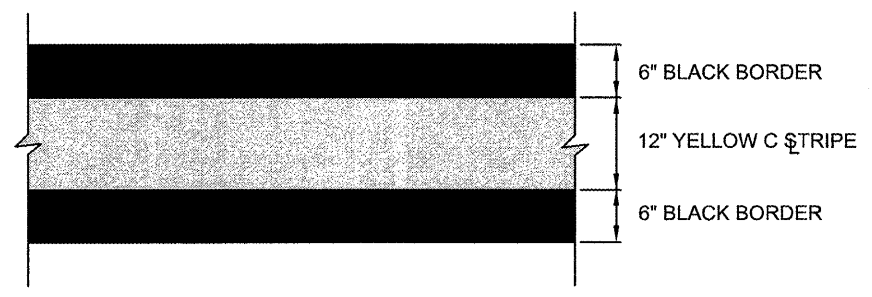
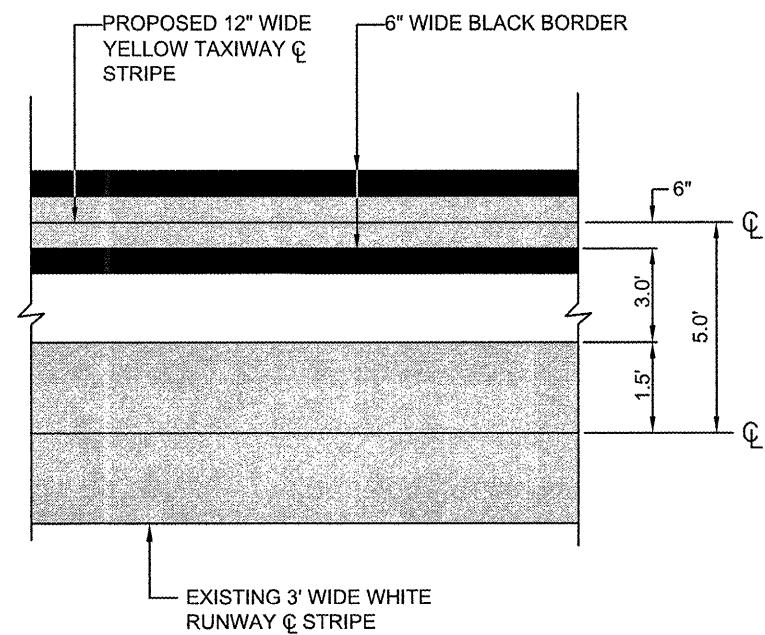
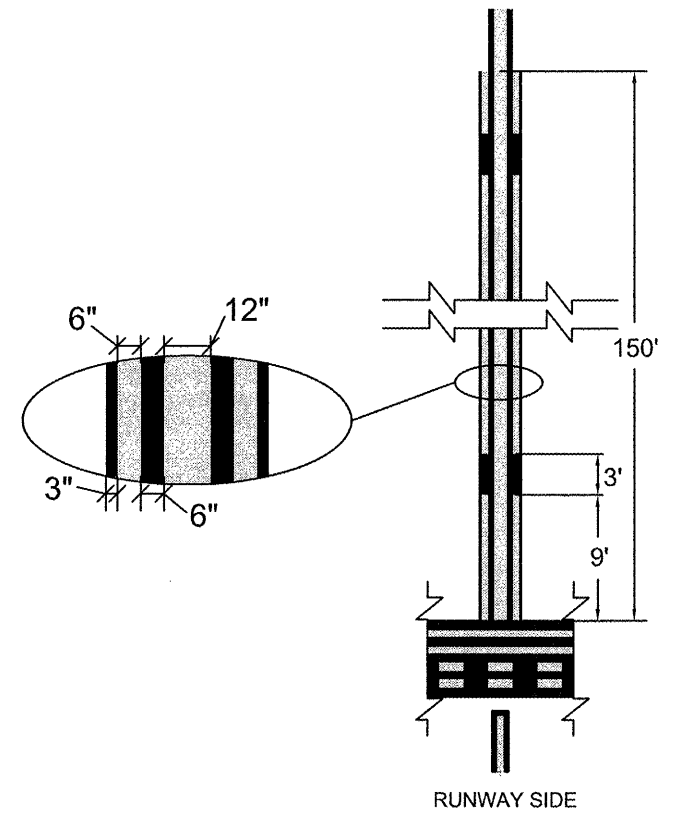
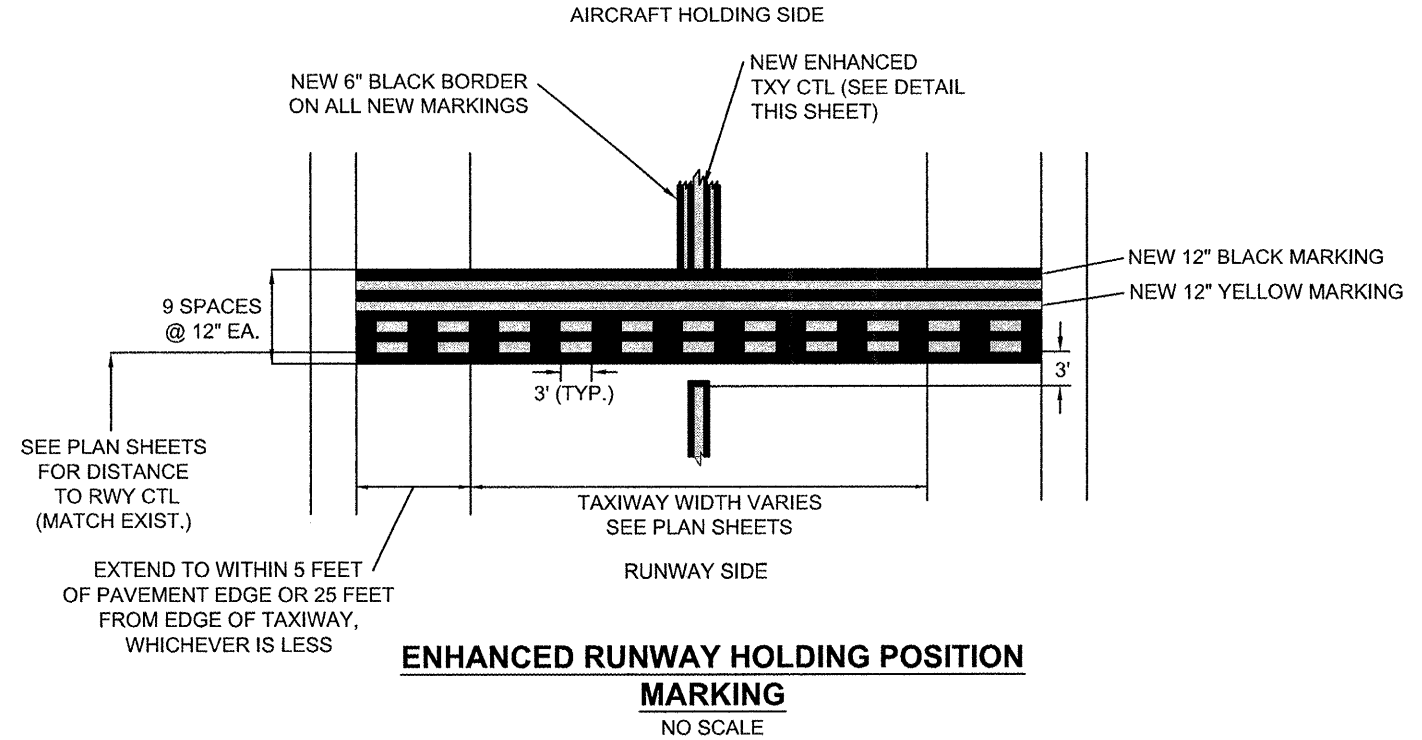


DATE: Monday, May 11, 2009 4:00:21 PM  
 FILE: K:\Recreation\092504\_Rehab\_Twy B South PK2\Draw\Sheet17-31-MRD1-2.dwg  
 UPDATE BY: Jeremy Linke  
 LAYOUT: 32-MRD1  
 IMAGE FILES: 101-rfd-airport-2.dwg  
 DWG: Airport.dwg



**MARKING DETAILS - 1 (MRD1)**

**RO017**  
5A



Chicago Rockford  
International  
Airport



ROCKFORD, ILLINOIS  
GREATER ROCKFORD  
AIRPORT AUTHORITY  
3-17-0088-XX  
RFD-3909

REHAB. TWY B SOUTH  
PHASE 2

Revisions

Date	Description

0 1  
THIS BAR IS EQUAL TO 1" AT FULL SCALE (17 X 11).

DESIGN BY: CMT-ARR  
DRAWN BY: CMT-ARR  
CHECKED BY: CMT-ARR  
APPROVED BY: CMT-RFD  
DATE: 5/8/2009  
JOB No: 09258-04-00

**MARKING  
DETAILS - 1  
(MRD1)**