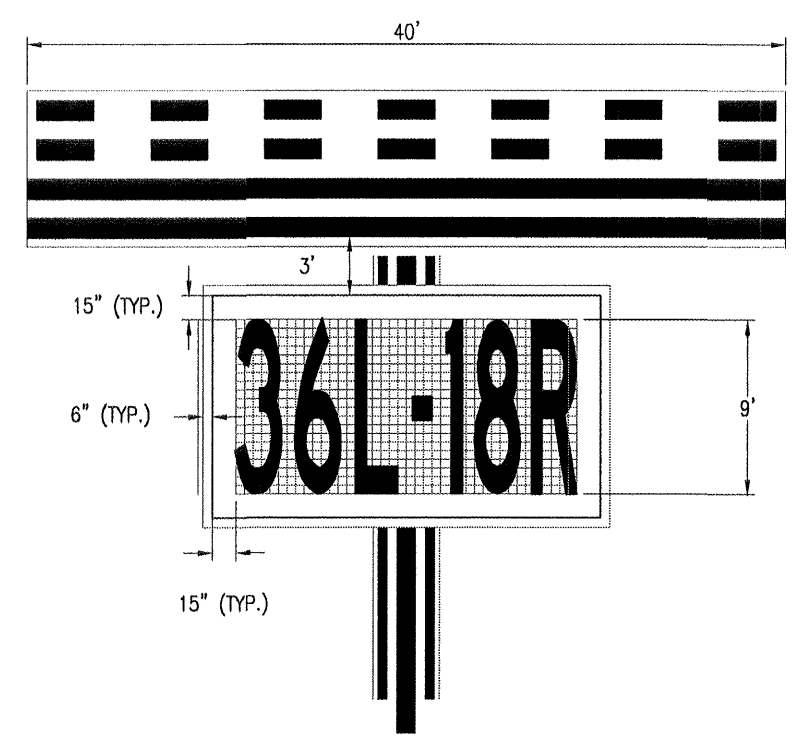


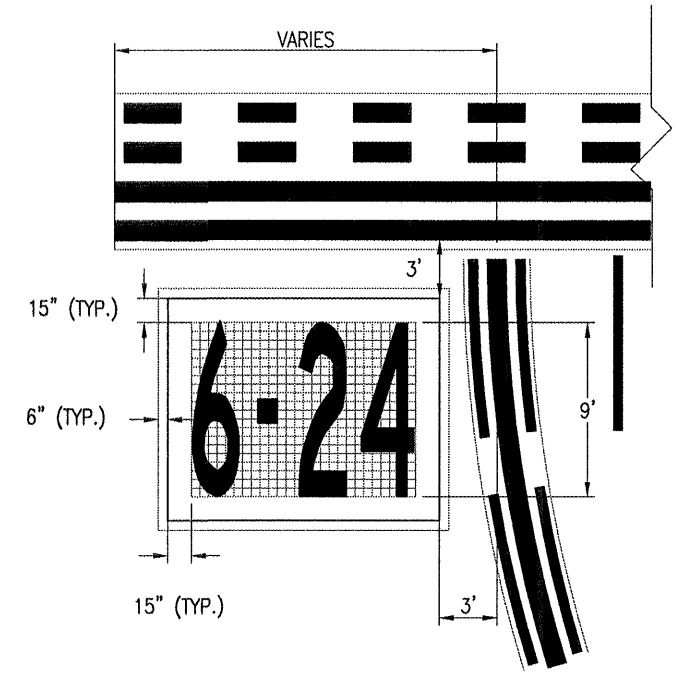
SURFACE PAINTED HOLDING POSITION SIGN DETAIL
 TAXIWAY C, E, C1 SHORT OF RUNWAY 36L-18R
 NOT TO SCALE

NOTE: GRID SHOWN FOR PROPER SIZING OF INSCRIPTIONS
 - NOT TO BE PAINTED. GRID SPACING IS 0.45 FEET.



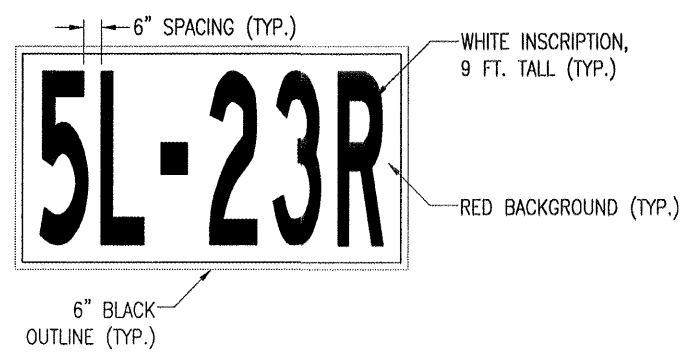
SURFACE PAINTED HOLDING POSITION SIGN DETAIL
 TAXIWAY B SHORT OF RUNWAY 36R-18L
 NOT TO SCALE

NOTE: GRID SHOWN FOR PROPER SIZING OF INSCRIPTIONS
 - NOT TO BE PAINTED. GRID SPACING IS 0.45 FEET.



SURFACE PAINTED HOLDING POSITION SIGN DETAIL
 TAXIWAY C SHORT OF RUNWAY 6-24
 NOT TO SCALE

NOTE: GRID SHOWN FOR PROPER SIZING OF INSCRIPTIONS
 - NOT TO BE PAINTED. GRID SPACING IS 0.45 FEET.



SURFACE PAINTED HOLDING POSITION SIGN DETAIL
 TYPICAL COLOR SCHEME
 NOT TO SCALE

SURFACE PAINTED HOLDING POSITION SIGN NOTES:

1. SURFACE PAINTED HOLDING POSITION SIGNS SHALL BE PAINTED FOLLOWING PAVING OPERATIONS AT THE LOCATIONS SHOWN ON THE PAVEMENT MARKING PLAN SHEETS. IT IS INTENDED THAT THE MARKINGS WILL ALSO BE PAINTED AT LOCATIONS OUTSIDE OF THE RESURFACED AREAS. THE CONTRACTOR SHALL FIELD VERIFY THAT THE SURFACE PAINTED HOLDING POSITION SIGNS MEET THE STANDARD DIMENSIONS SHOWN. THE CONTRACTOR SHALL NOTIFY THE RESIDENT ENGINEER OF ANY VARIATION FROM THE DIMENSIONS AND LOCATIONS SHOWN.
2. THE STENCILS FOR THE SURFACE PAINTED HOLDING POSITION SIGNS SHALL BE THE RESPONSIBILITY OF THE CONTRACTOR. AT THE CONCLUSION OF THE PROJECT, THE CONTRACTOR SHALL PROVIDE A SET OF STENCILS TO THE AIRPORT THAT MATCH THE SIGN DIMENSIONS PAINTED AT THIS AIRPORT.
3. THE SURFACE PAINTED HOLDING POSITION SIGNS SHALL BE ORIENTED PARALLEL TO THE RUNWAY HOLDING POSITION MARKING.
4. SURFACE PAINTED HOLDING POSITIONS SIGNS SHALL BE LOCATED BASED ON DIMENSIONS FROM THE TAXIWAY CENTERLINE AND RUNWAY HOLDING POSITION MARKING. IF THE TAXIWAY CENTERLINE AND THE RUNWAY HOLDING POSITION MARKING ARE NOT PERPENDICULAR TO TO EACH OTHER, THE DIMENSION FROM THE CENTERLINE SHALL BE MEASURED TO THE NEAREST POINT ON THE SURFACE PAINTED SIGN.

BY	
	REVISION
DATE	
SOUTHERN ILLINOIS AIRPORT MURPHYSBORO / CARBONDALE, ILLINOIS	
IL. PROJ.: MDH-3892 A.I.P. PROJ.: 3-17-0009-B29	
Item: Project No. 0840067D-0800 Filename: R-552MRK.DWG Scale: NOT TO SCALE Date: 01/26/09	LAYOUT: JSL 04/03/09 DRAWN: JSL 01/26/09 REVIEWED: CAH 04/10/09
Hanson Professional Services Inc. 1525 South Sixth Street Springfield, Illinois 62703-2886 Offices Nationwide	
REHABILITATE TAXIWAY "B" PROPOSED SURFACE PAINTED HOLDING POSITION MARKING SIGN DETAILS	
21 21 of 27 sheets	

MAY 12, 2009 11:38 AM KINCA00394
 I:\AIRPORTS\SIA-CARBONDALE\0840067\CADD\AIRPORT\SHEET\R-552MRK.DWG - Layout1