

WH008



Whiteside County **AIRPORT**
JOSEPH H. BITTORF FIELD

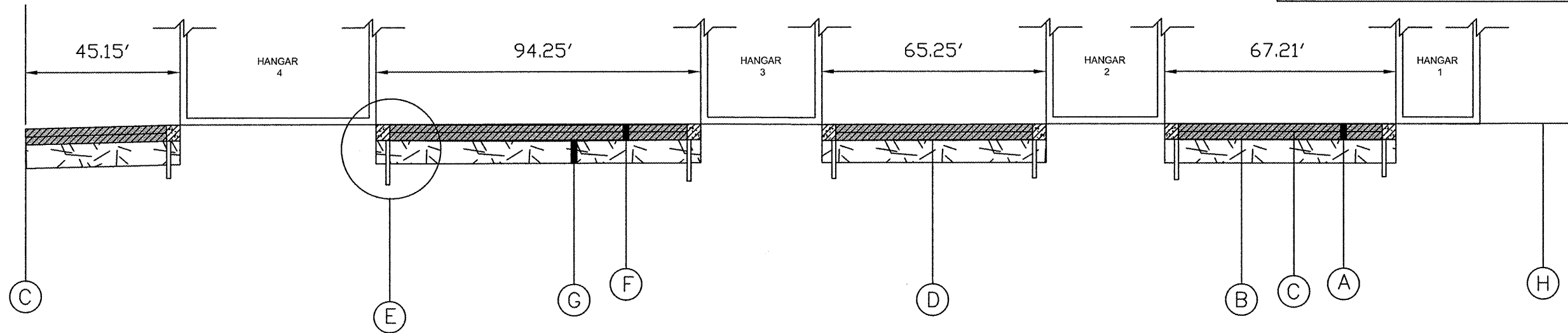
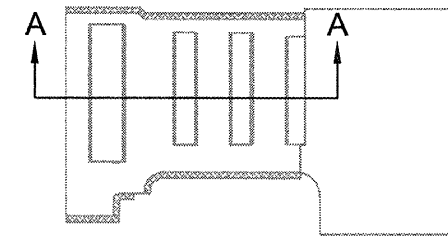
Whiteside County
Airport

Sterling / Rock Falls,
Illinois

Whiteside County
Airport

AIP: 3-17-0098-B15
SQI-3872

REHABILITATE
NORTH T-HANGAR
PAVEMENTS /
TAXIWAY REPAIRS



SECTION A-A
N.T.S.

LEGEND

- (A) NEW 4" SURFACE COURSE
2 LIFTS (401)
- (B) NEW BITUMINOUS PRIME COAT (602)
- (C) NEW BITUMINOUS TACK COAT (603)
- (D) NEW AGGR. BASE GRADING (401)
- (E) NEW 4" STRUCTURAL PCC (6100510)
SEE DETAIL THIS SHEET
- (F) EXISTING 4" BITUMINOUS PAVEMENT
TO BE REMOVED (AR401900)
- (G) EXISTING 8" AGGR. BASE
TO REMAIN
- (H) EXISTING GROUND LINE

Revisions

No.	Date	Description

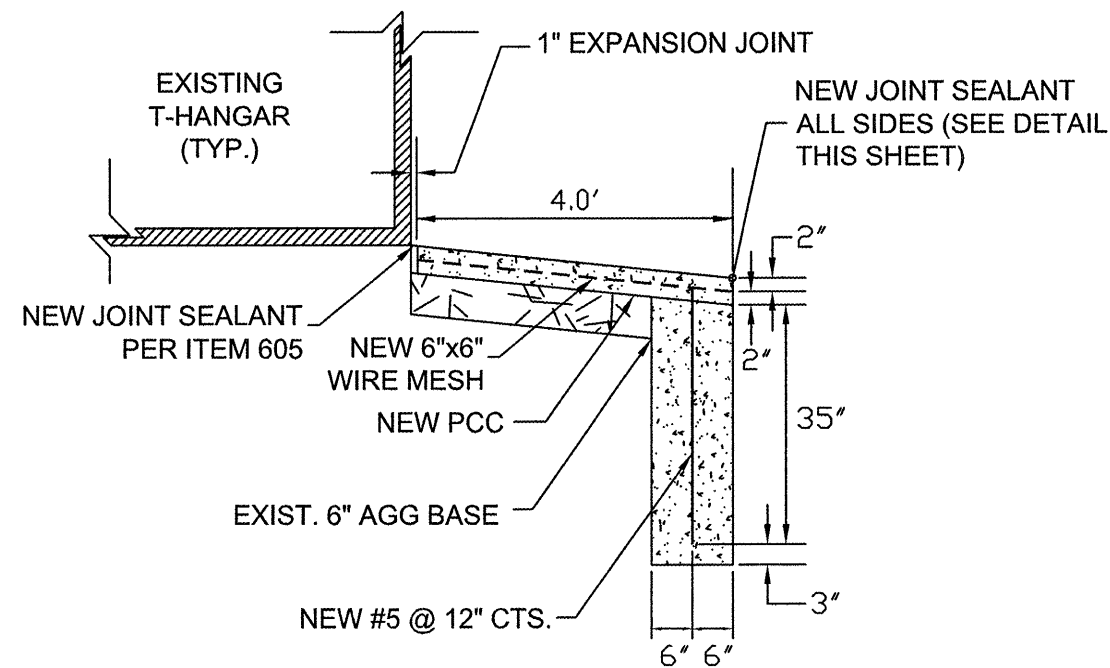
0 1
THIS BAR IS EQUAL TO 1"
AT FULL SCALE (17 X 11).

DESIGN BY:	CMT-RFD
DRAWN BY:	CMT-RFD
CHECKED BY:	CMT-RFD
APPROVED BY:	JGP
DATE:	11.21.08
JOB No:	08292-05-00

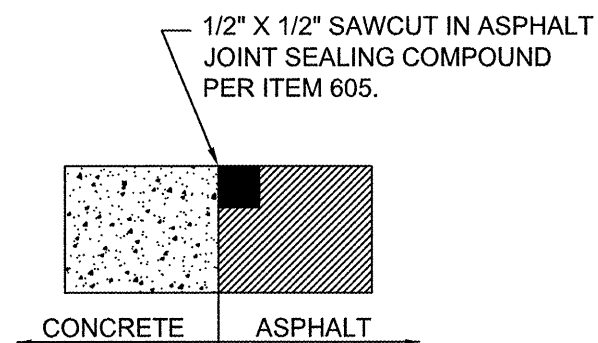
**TYPICAL
SECTIONS
(TYP1)**

04

SHEET 04 OF 10 SHEETS



4" STRUCTURAL PCC DETAIL
NTS



**JOINT SEALING AT CONCRETE
ASPHALT INTERFACE**
N.T.S.

NOTE: JOINT DIMENSIONS SHALL MEET MANUFACTURER'S RECOMMENDATION

TYPICAL SECTIONS 1