

STATE OF ILLINOIS
DEPARTMENT OF TRANSPORTATION
DIVISION OF HIGHWAYS

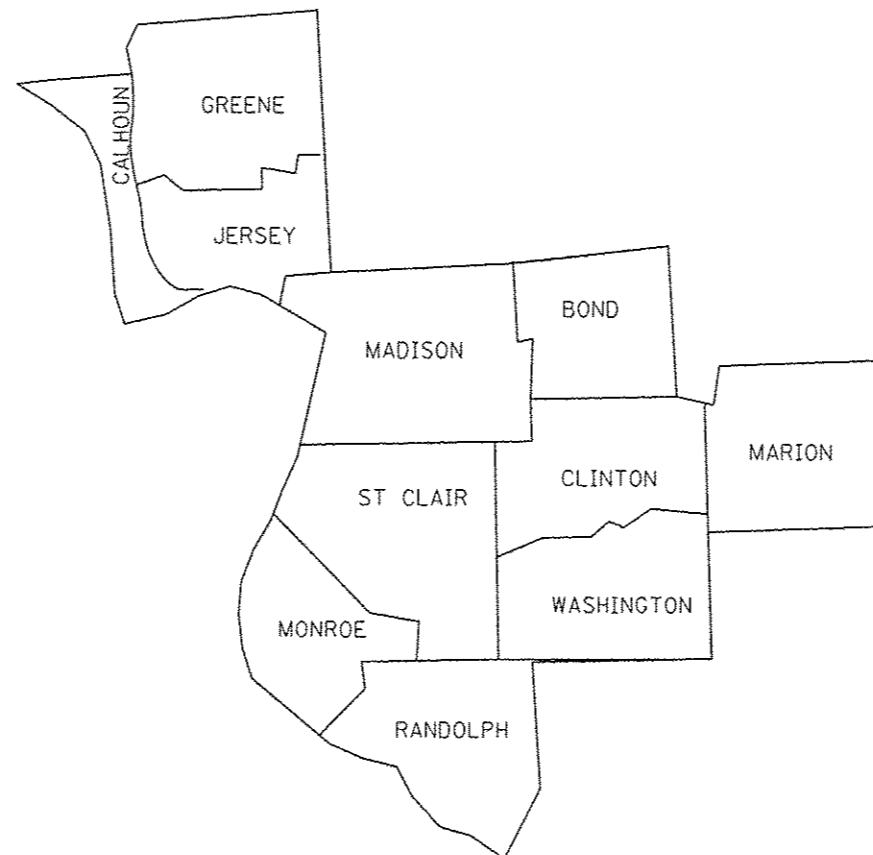
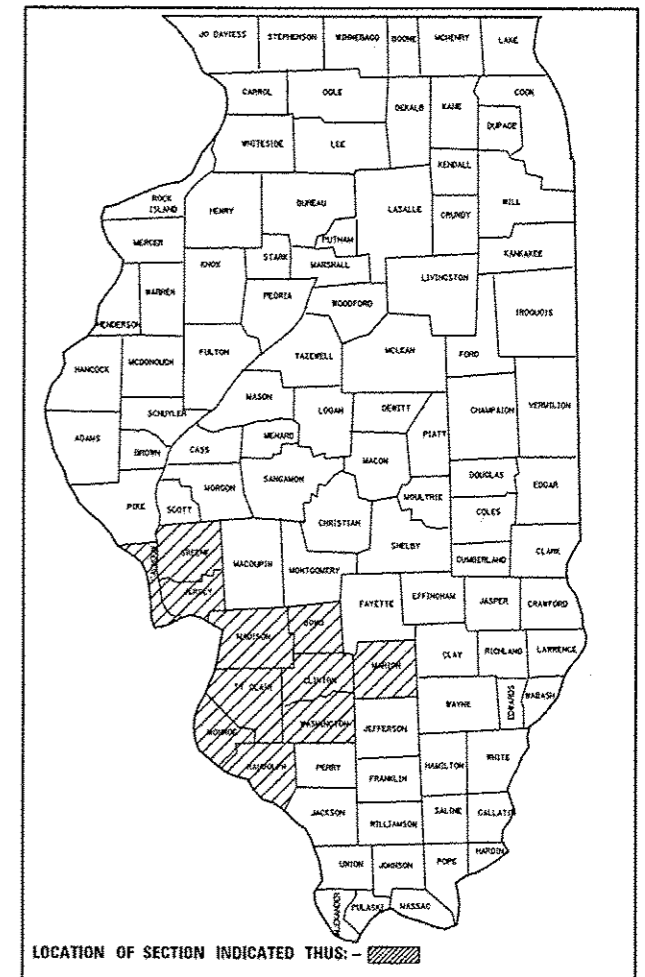
**PROPOSED
HIGHWAY PLANS**

VARIOUS
DIST 8 TCD 2015-1
DELIVER, SET UP, MAINTENANCE
AND PICK UP OF TRAFFIC
CONTROL DEVICES
VARIOUS COUNTIES

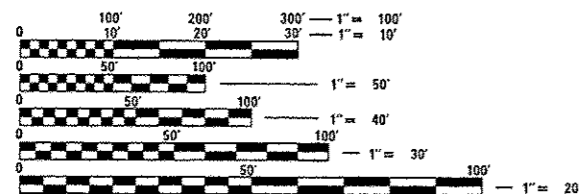
C-98-040-15

F.A. RTE.	SECTION	COUNTY	TOTAL SHEETS	SHEET NO.
VAR	DIST 8 TCD 2015-1	VARIOUS	7	1
		ILLINOIS	CONTRACT NO. 76H90	

D-98-045-15



- FOR INDEX OF SHEETS:
1. COVER SHEET/INDEX OF SHEETS
 2. HIGHWAY STANDARDS AND GENERAL NOTES
 3. SUMMARY OF QUANTITIES
 4. DETAIL
 - 5-7. STANDARDS DETAILS



FULL SIZE PLANS HAVE BEEN PREPARED USING STANDARD ENGINEERING SCALES. REDUCED SIZED PLANS WILL NOT CONFORM TO STANDARD SCALES. IN MAKING MEASUREMENTS ON REDUCED PLANS, THE ABOVE SCALES MAY BE USED.

J.U.L.I.E.
JOINT UTILITY LOCATION INFORMATION FOR EXCAVATION
1-800-892-0123
OR 811

NOTE: WORK CAN BE LOCATED WITHIN ANY OF THE ABOVE NOTED COUNTIES WITHIN DISTRICT 8/REGION 5.

PROJECT ENGINEER: MIKE PRITCHETT (618) 346-3180
PROJECT MANAGER: DEAN SEIB (618) 346-3254 / JANE MORGANDO (618) 346-2162

CONTRACT NO. 76H90

STATE OF ILLINOIS
DEPARTMENT OF TRANSPORTATION
DIVISION OF HIGHWAYS

SUBMITTED *March 26 20 15*

Jeffrey J. K...
DEPUTY DIRECTOR OF HIGHWAYS, REGION ENGINEER

Mike Pritchett
ENGINEER OF DESIGN AND ENVIRONMENT

May 8 20 15
Omer Osman
DIRECTOR OF HIGHWAYS, CHIEF ENGINEER

PRINTED BY THE AUTHORITY
OF THE STATE OF ILLINOIS

GENERAL NOTES

1. THE LOCATIONS OF THE DELIVERY, SETUP, MAINTENANCE, AND PICK UP OF TRAFFIC CONTROL DEVICES SHALL BE DETERMINED BY THE DISTRICT 8 TRAFFIC MANAGEMENT CENTER (618-346-3233).
2. ILLINOIS STATE LAW REQUIRES A 48-HOUR NOTICE TO BE GIVEN TO UTILITIES BEFORE DIGGING. FIELD MARKING OF FACILITIES MAY BE OBTAINED BY CONTACTING J.U.L.I.E. (PHONE: 800 892-0123) OR FOR NON-MEMBER, THE UTILITY COMPANY DIRECTLY.
3. A FLAGGER SHALL BE REQUIRED AT ALL TIMES WHEN WORKERS OR EQUIPMENT ARE ENCROACHING ON THE LANE OF TRAFFIC.
4. WHEN NO WORK IS BEING PERFORMED, THE FLAGGERS WILL NOT BE REQUIRED. IF THE FLAGGERS ARE NOT PRESENT, THE FLAGGER SIGNS SHALL BE REMOVED OR COVERED.
5. UTILITY INTERFERENCES ARE NOT ANTICIPATED ON THIS CONTRACT. IT SHALL BE THE CONTRACTORS RESPONSIBILITY TO COORDINATE THEIR CONSTRUCTION ACTIVITIES WITH THE VARIOUS UTILITY OWNERS. ALL POTENTIAL CONFLICTS SHALL BE INVESTIGATED AND REMEDIAL ACTION TAKEN PRIOR TO INTERRUPTION OF THE CONTRACTORS PROGRESS. NO ADDITIONAL COST SHALL BE ADDED TO THE CONTRACT RESULTING FROM UTILITY CONFLICTS.
6. ANY CALL OUT MAY BE CANCELLED AT THE DEPARTMENT'S DISCRETION.
7. ON ALL TRAFFIC CENTER DEVICES THAT ARE SPECIFIED W/ FLASHERS SHALL MEAN "STEADY BURN" OR "FLASHERS" TYPE LIGHTS EVEN THOUGH FLASHERS ARE SPECIFIED.
8. WHEN NOT SPECIFIED A MINIMUM OF FOUR SANDBAGS SHALL BE USED ON TYPE II BARRICADES AND EIGHT ON TYPE III BARRICADES.

HIGHWAY STANDARDS

701001-02 701311-03
 701006-05 701426-05
 701106-02
 701301-04
 701011-04
 701101-04

FILE NAME =	USER NAME = elfordb	DESIGNED -	REVISED -	STATE OF ILLINOIS DEPARTMENT OF TRANSPORTATION	GENERAL NOTES/ STANDARDS	F.A. RTE.	SECTION	COUNTY	TOTAL SHEETS	SHEET NO.	
c:\pwwork\p\stdat\elfordb\0427783\0876	MS-plt.plt	DRAWN -	REVISED -			VAR	DIST 8 TCD 2015-1	VARIOUS	7	2	
	PLOT SCALE = 100.0000' / in	CHECKED -	REVISED -			CONTRACT NO. 76H90					
	PLOT DATE = 3/24/2015	DATE -	REVISED -			SCALE:	SHEET NO. OF SHEETS	STA. TO STA.	FED. ROAD DIST. NO. ILLINOIS FED. AID PROJECT		

SUMMARY OF QUANTITIES

URBAN

SUMMARY OF QUANTITIES			CONSTRUCTION TYPE CODE	
CODE NO	ITEM	UNIT	100% STATE 0044 TOTAL QTY.	
XP000012	ARROWBOARD (TRAILER MOUNTED)	HOUR	4000	
X7015005	CHANGEABLE MESSAGE SIGN	CAL. DAY	200	
X0327623	BARRICADE, VERTICAL WITH WARNING LIGHT	CAL. DAY	4000	
X0327624	BARRICADE, TYPE II WITH WARNING LIGHT	CAL. DAY	3000	
X0327625	BARRICADE, TYPE I WITH EXTENDED LEGS AND WARNING LIGHT	CAL. DAY	100	
X0327626	BARRICADE, TYPE III WITH WARNING LIGHT	CAL. DAY	200	
X0327627	BARRICADE, TYPE III WITH WARNING LIGHT AND ROAD CLOSED SIGN	CAL. DAY	200	
X0327628	BARRICADE, DIRECTION INDICATOR WITH WARNING LIGHT	CAL. DAY	1000	
X0327629	DRUM WITH WARNING LIGHT	CAL. DAY	2500	
X0327630	SIGN PANEL, FLUORESCENT ORANGE	CAL. DAY	200	
X0327631	SIGN PANEL, FLUORESCENT ORANGE W/ STAND AND WARNING LIGHT	CAL. DAY	200	
X7010410	SPEED DISPLAY TRAILER	CAL. MONTH	6	

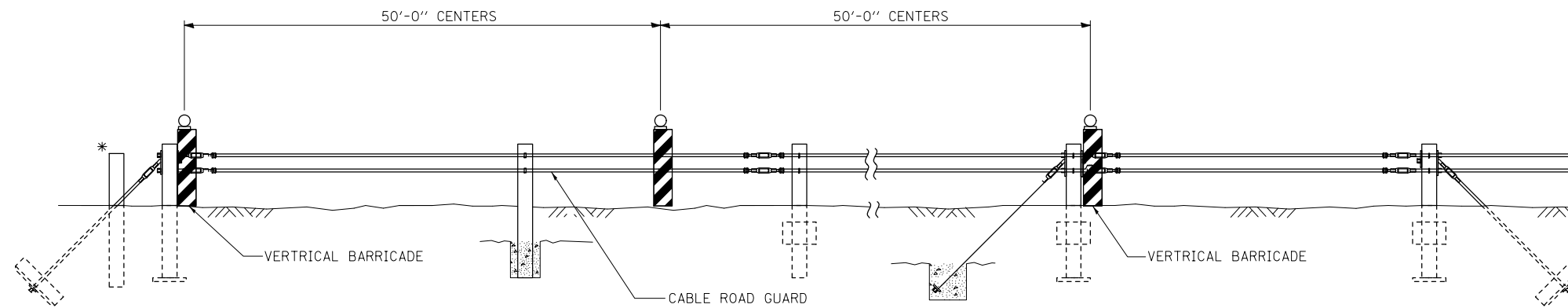
SUMMARY OF QUANTITIES			TOTAL QUANTITIES	CONSTRUCTION TYPE CODE	
CODE NO	ITEM	UNIT			

FILE NAME =	USER NAME = alfordb	DESIGNED -	REVISED -
al\pwwork\pwwork\alfordb\d0427783\0076	al\pwwork\pwwork	DRAWN -	REVISED -
	PLOT SCALE = 100.0000 ' / in.	CHECKED -	REVISED -
	PLOT DATE = 3/24/2015	DATE -	REVISED -

**STATE OF ILLINOIS
DEPARTMENT OF TRANSPORTATION**

SUMMARY OF QUANTITIES

SCALE:	SHEET OF SHEETS	STA.	TO STA.	F.A. RTE.	SECTION	COUNTY	TOTAL SHEETS	SHEET NO.
				VAR	DIST 8 TCD 2015-1	VARIOUS	7	3
				CONTRACT NO. 76H90				
ILLINOIS FEO. AID PROJECT								



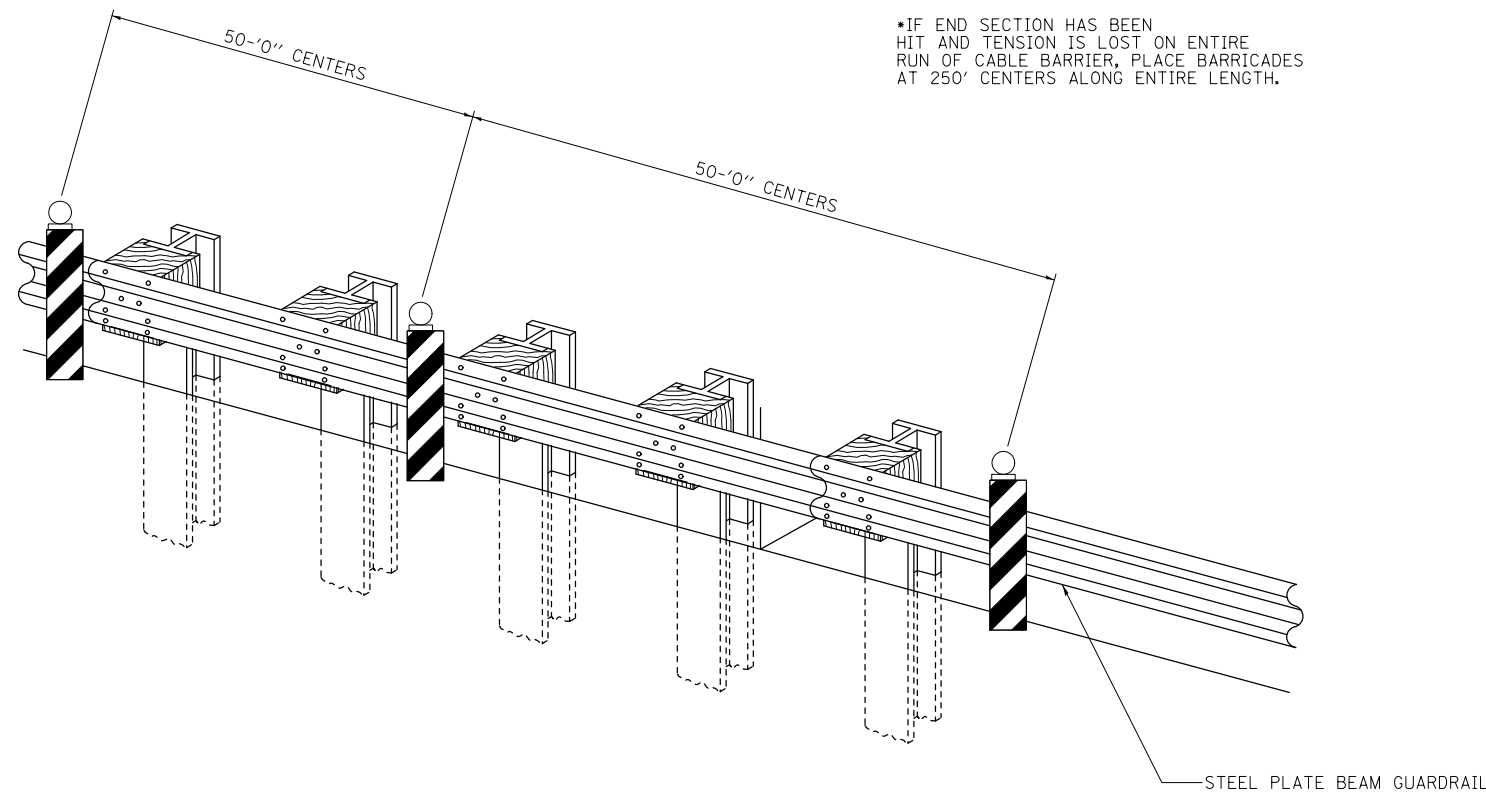
NOTE: DISCRETION SHALL BE USED WHEN DETERMINING THE EXTENT OF DAMAGE TO GUARDRAIL. GUARDRAIL RECEIVING MINOR DAMAGE WILL NOT REQUIRE BARRICADES. MINOR DAMAGE SHALL BE CONSIDERED AS ANYTHING EQUAL TO OR LESS THAN THE FOLLOWING:

1. RAIL ELEMENTS ARE INTACT. (I.E. - RAIL IS NOT "RIPPED" OR BROKEN AWAY AT THE CONNECTING BOLTS.
2. RAIL ELEMENTS REMAIN AT A HEIGHT OF 18 TO 24 INCHES ABOVE GROUND LEVEL.
3. POSTS ARE NOT BROKEN OR DETACHED FROM RAIL ELEMENT.

CABLE ROAD GUARD

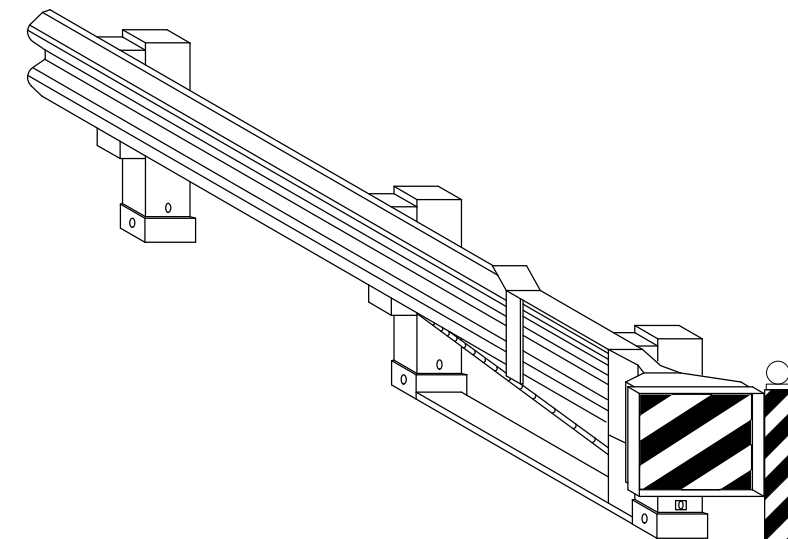
A MINIMUM OF 2 BARRICADES SHALL BE USED. (ONE BARRICADE SHALL BE PLACED AT EACH END OF THE DAMAGED SECTION.) PLACE ONE ADDITIONAL BARRICADE FOR EVERY 50 FEET OF DAMAGED CABLE ROAD GUARD. IF ADDITIONAL BARRICADES ARE REQUIRED, THEY SHALL BE PLACED ON ALTERNATING SIDES OF THE BARRIER.

*IF END SECTION HAS BEEN HIT AND TENSION IS LOST ON ENTIRE RUN OF CABLE BARRIER, PLACE BARRICADES AT 250' CENTERS ALONG ENTIRE LENGTH.



STEEL PLATE BEAM GUARDRAIL

A MINIMUM OF 2 BARRICADES SHALL BE USED. (ONE BARRICADE SHALL BE PLACED AT EACH END OF THE DAMAGED SECTION.) PLACE ONE ADDITIONAL BARRICADE FOR EVERY 50 FEET OF DAMAGED GUARDRAIL.



GUARDRAIL END SECTION

PLACE ONE BARRICADE AT THE END OF THE DAMAGED SECTION. IF MORE THAN 50 FEET OF GUARDRAIL IS DAMAGED, PLACE ONE ADDITIONAL BARRICADE FOR EVERY 50 FEET OF DAMAGED GUARDRAIL.

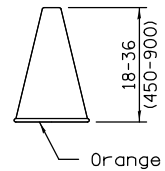
FILE NAME =	USER NAME = alfordb	DESIGNED -	REVISED -
et:\pw\work\p1\dot\alfordb\d0427783\0876-90-sht-pln.dgn		DRAWN -	REVISED -
	PLOT SCALE = 100.0000' / in.	CHECKED -	REVISED -
	PLOT DATE = 3/24/2015	DATE -	REVISED -

STATE OF ILLINOIS
DEPARTMENT OF TRANSPORTATION

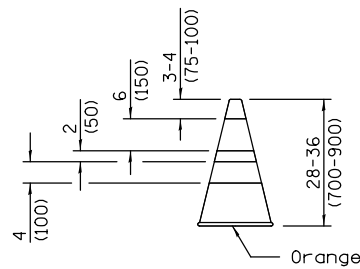
GUIDE FOR PLACING BARRICADES
AT DAMAGED GUARDRAIL AND CABLE GUARD

SCALE: SHEET NO. OF SHEETS STA. TO STA.

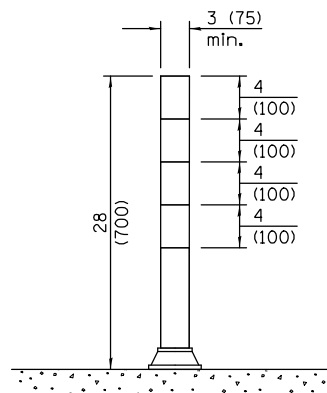
F.A. RTE.	SECTION	COUNTY	TOTAL SHEETS	SHEET NO.
VAR	DIST 8 TCD 2015-1	VARIOUS	7	4
CONTRACT NO. 76H90				
FED. ROAD DIST. NO. ILLINOIS FED. AID PROJECT				



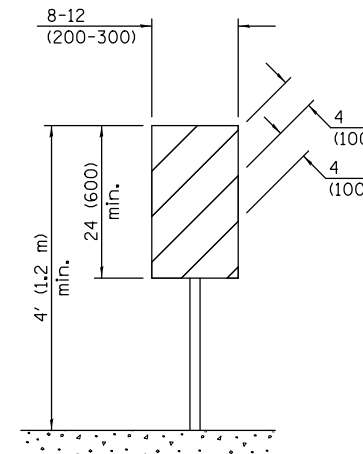
CONE



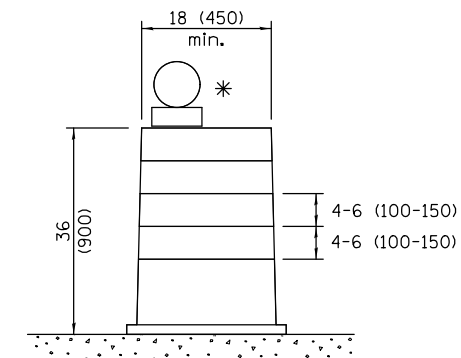
REFLECTORIZED CONE



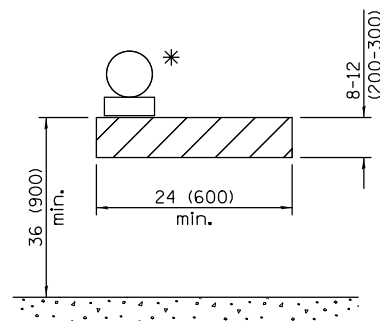
FLEXIBLE DELINEATOR



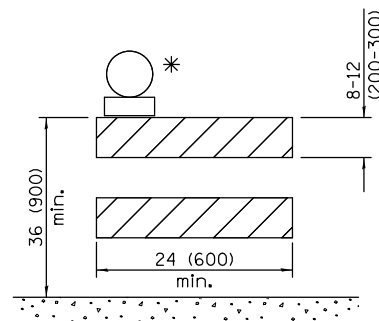
**VERTICAL PANEL
POST MOUNTED**



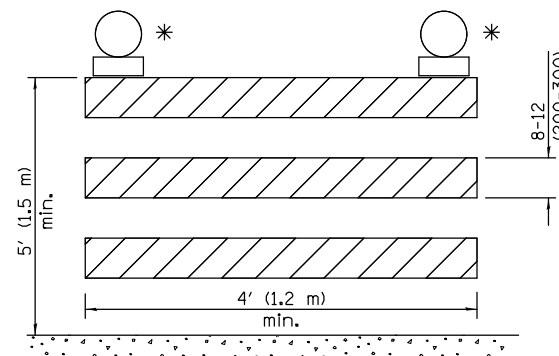
DRUM



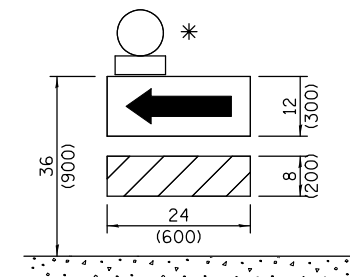
TYPE I BARRICADE



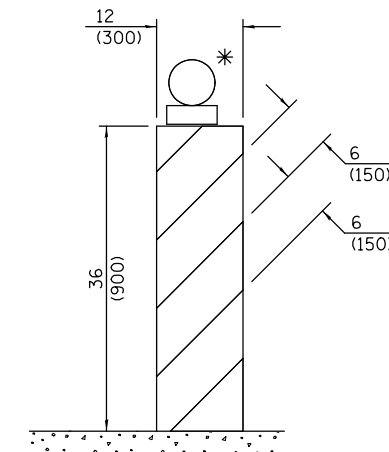
TYPE II BARRICADE



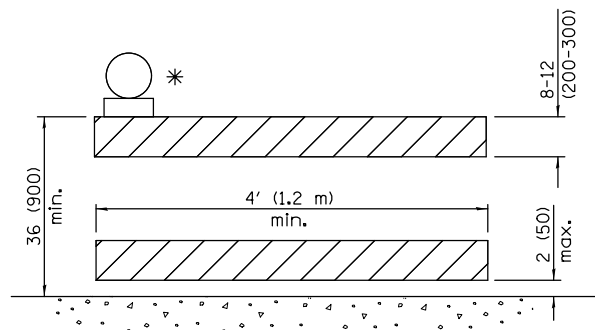
TYPE III BARRICADE



**DIRECTION INDICATOR
BARRICADE**



VERTICAL BARRICADE



**DETECTABLE PEDESTRIAN
CHANNELIZING BARRICADE**

* Warning lights (If required)

GENERAL NOTES

All heights shown shall be measured above the pavement surface.

All dimensions are in inches (millimeters) unless otherwise shown.

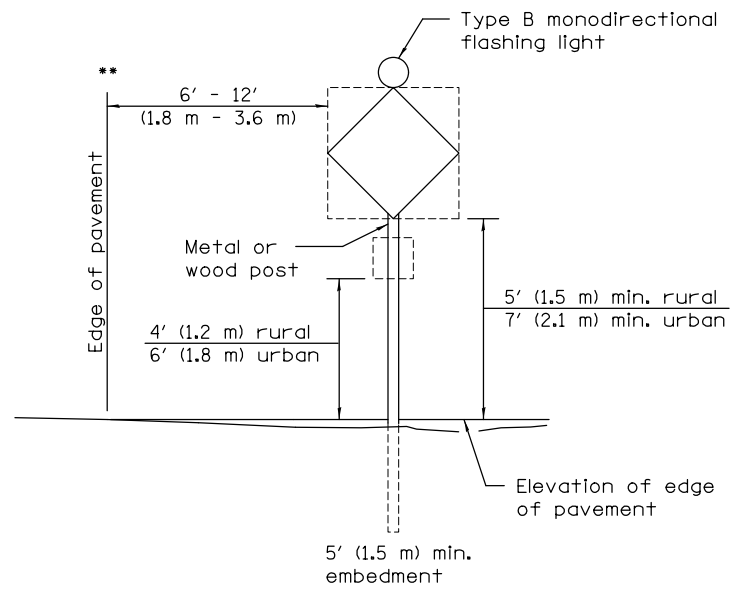
FILE NAME =	USER NAME = alfordb	DESIGNED -	REVISED -
et:\pw\work\p\dot\alfordb\d0427783\0876	90-sht-pln.dgn	DRAWN -	REVISED -
	PLOT SCALE = 100.0000' / 1"	CHECKED -	REVISED -
	PLOT DATE = 3/24/2015	DATE -	REVISED -

**STATE OF ILLINOIS
DEPARTMENT OF TRANSPORTATION**

**TRAFFIC CONTROL DEVICES
STANDARD 701901-02**

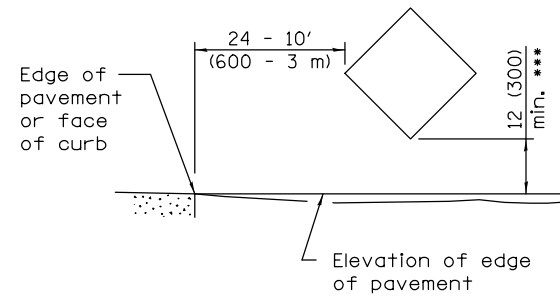
SCALE: SHEET NO. OF SHEETS STA. TO STA.

F.A. RTE.	SECTION	COUNTY	TOTAL SHEETS	SHEET NO.
VAR	DIST 8 TCD 2015-1	VARIOUS	7	5
FED. ROAD DIST. NO. ILLINOIS FED. AID PROJECT			CONTRACT NO. 76H90	



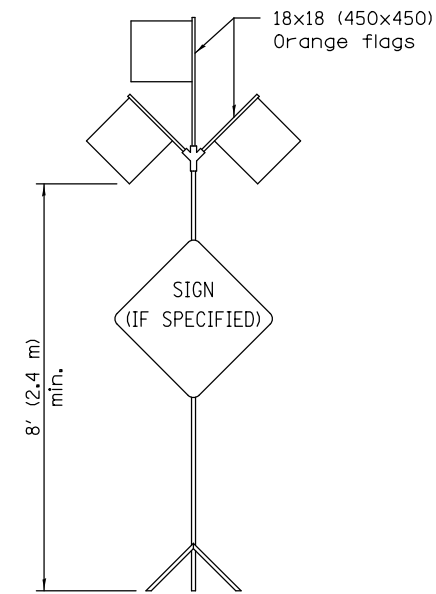
POST MOUNTED SIGNS

** When curb or paved shoulder are present this dimension shall be 24 (600) to the face of curb or 6' (1.8 m) to the outside edge of the paved shoulder.



SIGNS ON TEMPORARY SUPPORTS

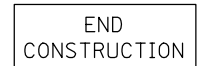
*** When work operations exceed four days, this dimension shall be 5' (1.5 m) min. If located behind other devices, the height shall be sufficient to be seen by motorists.



HIGH LEVEL WARNING DEVICE



G20-1(0)-6036



G20-2a(0)-6024

This signing is required for all projects 2 miles (3200 m) or more in length.

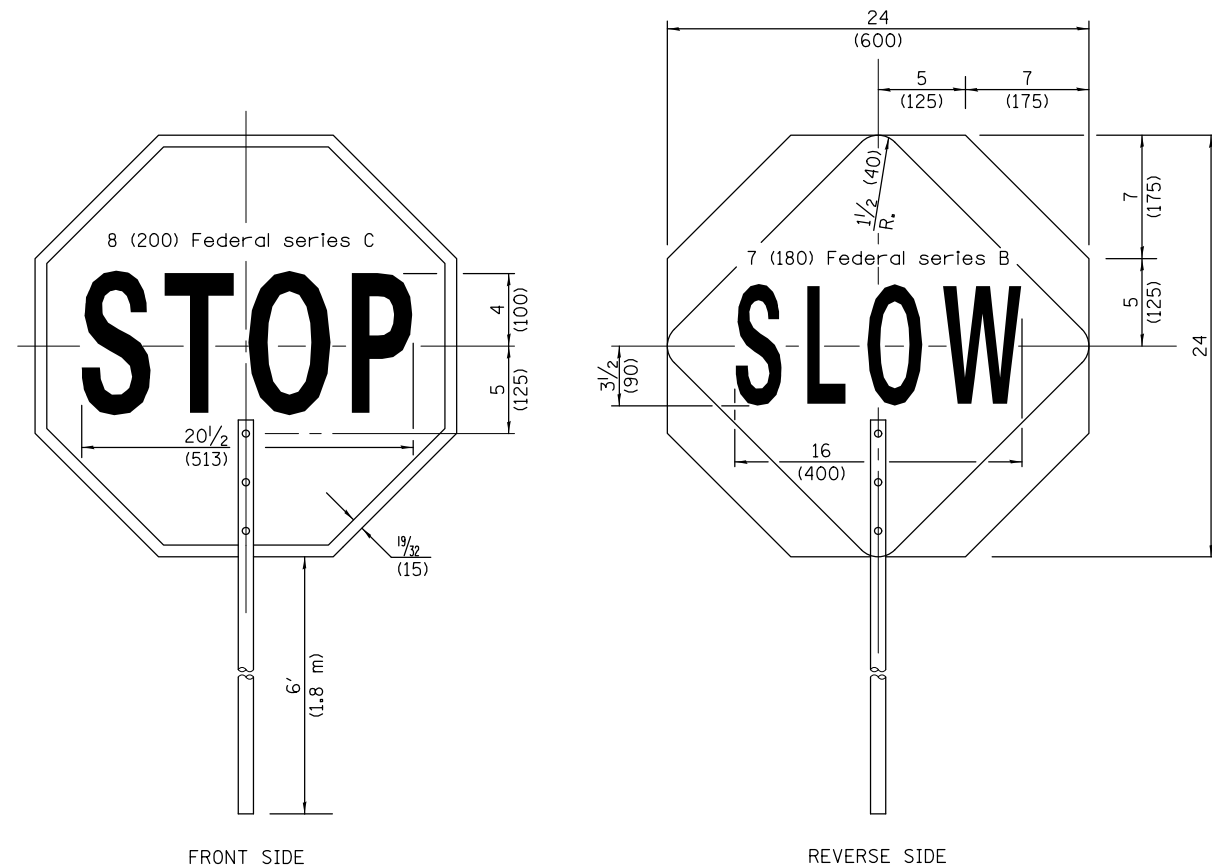
ROAD CONSTRUCTION NEXT X MILES sign shall be placed 500' (150 m) in advance of project limits.

END CONSTRUCTION sign shall be erected at the end of the job unless another job is within 2 miles (3200 m).

Dual sign displays shall be utilized on multi-lane highways.

WORK LIMIT SIGNING

All dimensions are in inches (millimeters) unless otherwise shown.



FLAGGER TRAFFIC CONTROL SIGN

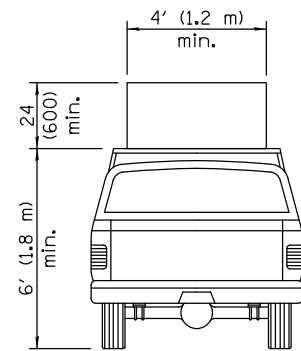
FILE NAME =	USER NAME = alfordb	DESIGNED -	REVISED -
et:\pw\work\p\dot\alfordb\d0427783\0876-90-sht-pln.dgn		DRAWN -	REVISED -
	PLOT SCALE = 100.0000' / in.	CHECKED -	REVISED -
	PLOT DATE = 3/24/2015	DATE -	REVISED -

STATE OF ILLINOIS
DEPARTMENT OF TRANSPORTATION

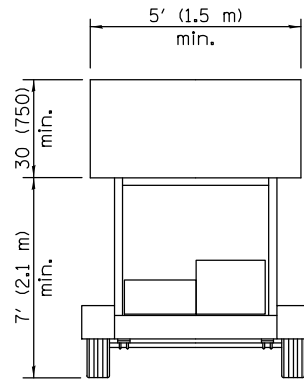
TRAFFIC CONTROL DEVICES
STANDARD 701901-02

SCALE: SHEET NO. OF SHEETS STA. TO STA.

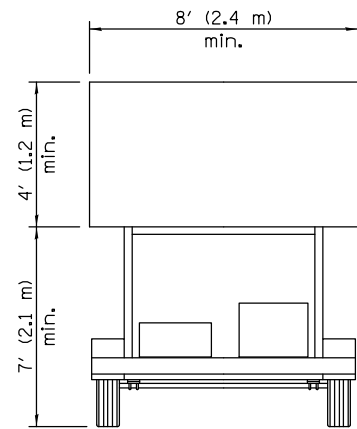
F.A. RTE.	SECTION	COUNTY	TOTAL SHEETS	SHEET NO.
VAR	DIST 8 TCD 2015-1	VARIOUS	7	6
CONTRACT NO. 76H90				
FED. ROAD DIST. NO. ILLINOIS FED. AID PROJECT				



**TYPE A
ROOF
MOUNTED**

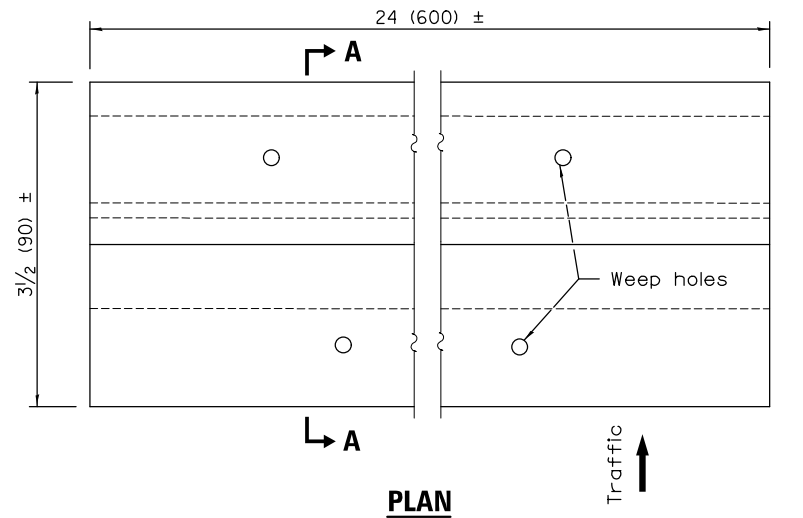


**TYPE B
ROOF OR TRAILER
MOUNTED**

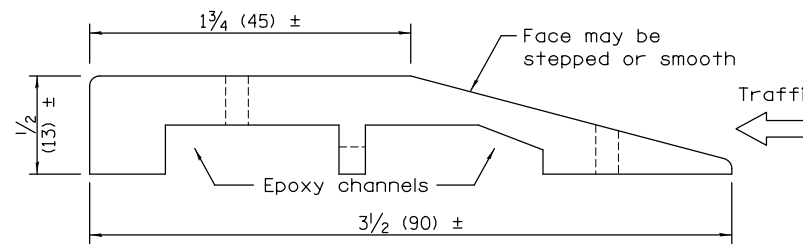


**TYPE C
TRAILER
MOUNTED**

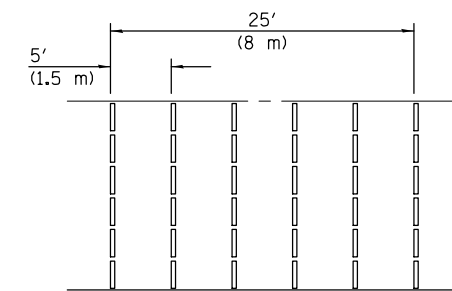
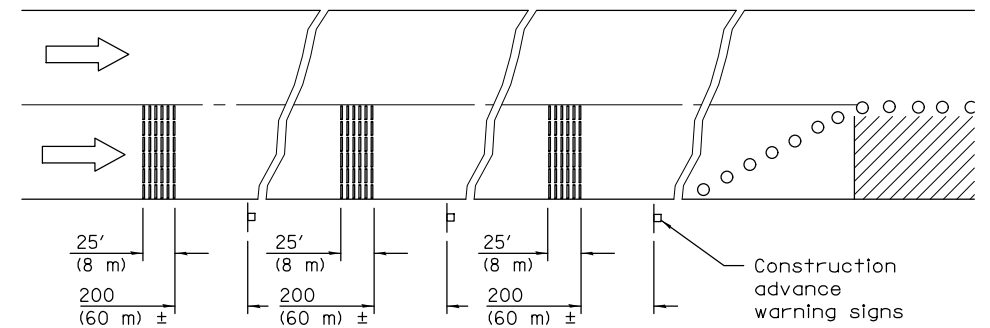
ARROW BOARDS



PLAN



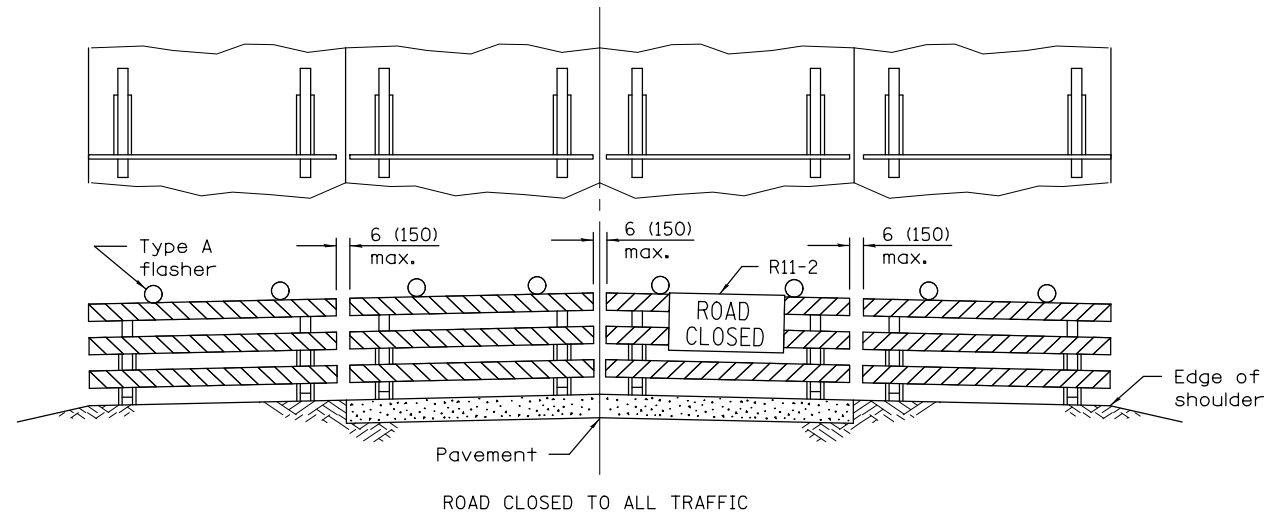
SECTION A-A



TYPICAL INSTALLATION

TEMPORARY RUMBLE STRIPS

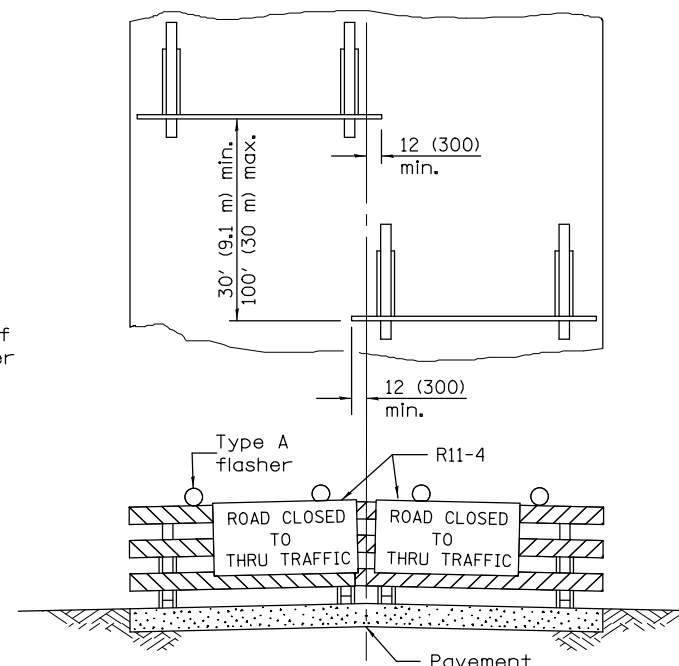
All dimensions are in inches (millimeters) unless otherwise shown.



ROAD CLOSED TO ALL TRAFFIC

Reflectorized striping may be omitted on the back side of the barricades. If a Type III barricade with an attached sign panel which meets NCHRP 350 is not available, the sign may be mounted on an NCHRP 350 temporary sign support directly in front of the barricade.

**TYPICAL APPLICATIONS OF
TYPE III BARRICADES CLOSING A ROAD**



ROAD CLOSED TO THRU TRAFFIC

Reflectorized striping shall appear on both sides of the barricades. If a Type III barricade with an attached sign panel which meets NCHRP 350 is not available, the signs may be mounted on NCHRP 350 temporary sign supports directly in front of the barricade.

FILE NAME =	USER NAME = alfordb	DESIGNED -	REVISED -
et:\pw\work\p\idot\alfordb\d0427783\0876-90-sht-pln.dgn		DRAWN -	REVISED -
		CHECKED -	REVISED -
		DATE -	REVISED -

**STATE OF ILLINOIS
DEPARTMENT OF TRANSPORTATION**

**TRAFFIC CONTROL DEVICES
STANDARD 701901-02**

SCALE: SHEET NO. OF SHEETS STA. TO STA.

F.A. RTE.	SECTION	COUNTY	TOTAL SHEETS	SHEET NO.
VAR	DIST 8 TCD 2015-1	VARIOUS	7	7
			CONTRACT NO. 76H90	
FED. ROAD DIST. NO. ILLINOIS FED. AID PROJECT				