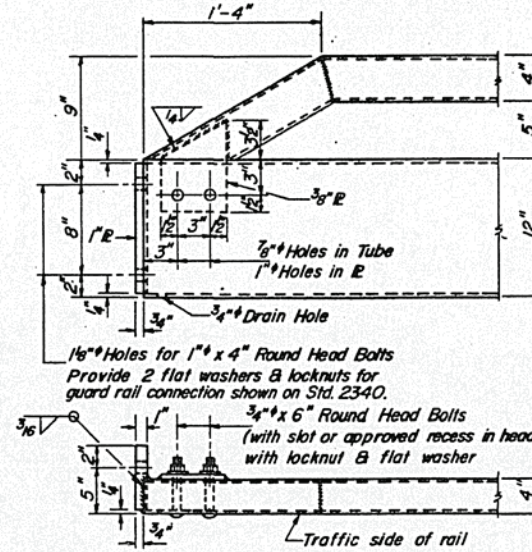
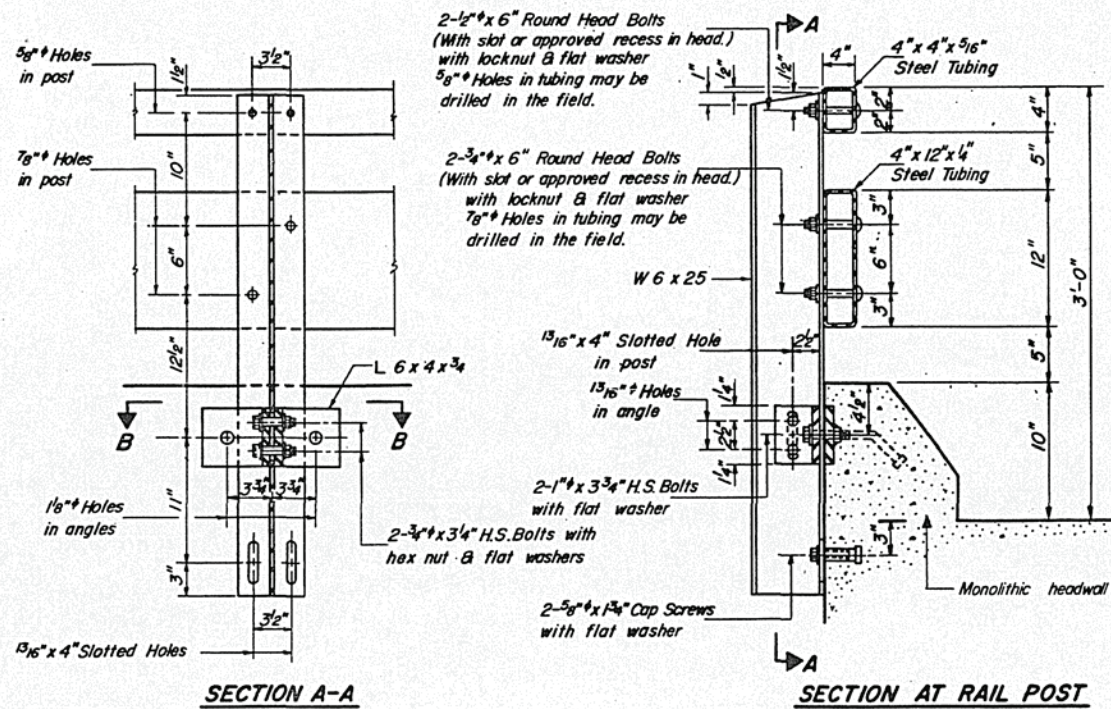
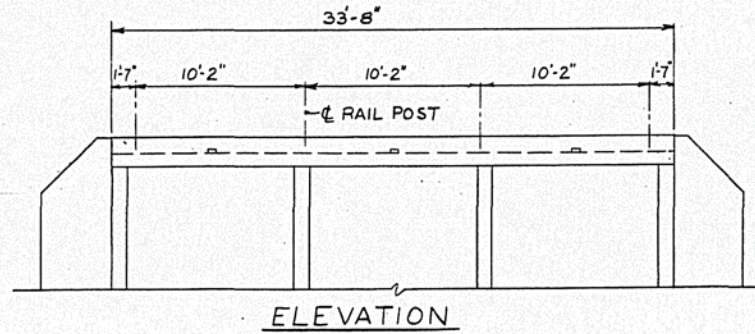


PROJECT NO.	SECTION	DESIGNER	SHEET NO.	TOTAL SHEETS	SHEET NO.
B36-117BR2	EDGAR	15	10		

BILL OF MATERIAL

Item	Unit	Quantity
Steel Railing, Type T-1	Lin. Ft.	68



NOTES

Hollow structural steel tubing shall conform to the requirements of A.S.T.M. designation A-500 Grade B Structural Steel Tubing.

All other steel shapes and plates shall conform to the requirements of A.A.S.H.T.O. M-183 except posts and angles shall conform to A.A.S.H.T.O. M-223, Grade 50.

Bolts, cap screws, and nuts shall conform to the requirement of A.S.T.M. designation A-307 except for high strength bolts, nuts and washers noted which shall conform to A.A.S.H.T.O. M-164.

All bolts, nuts, cap screws, washers and lock washers shall be galvanized in accordance with A.A.S.H.T.O. M-232.

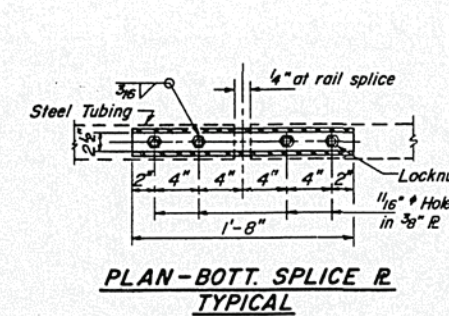
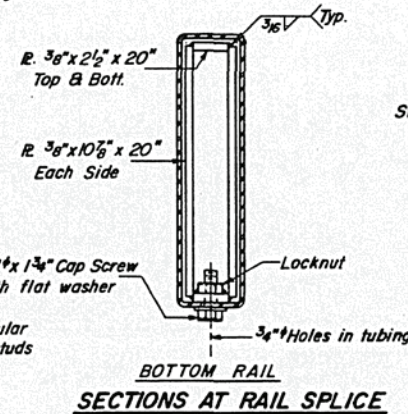
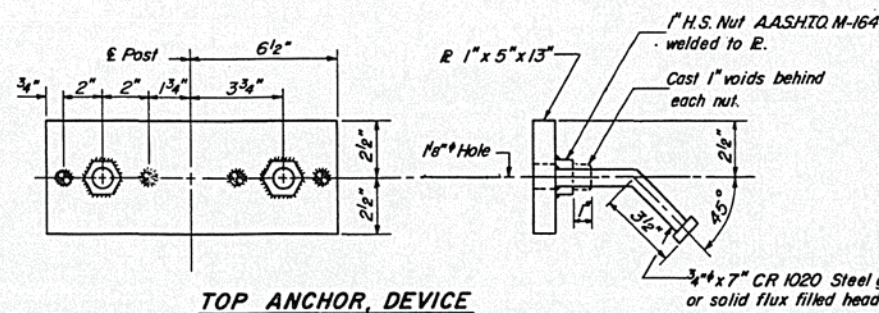
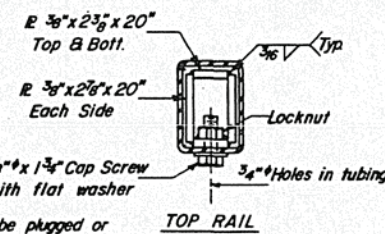
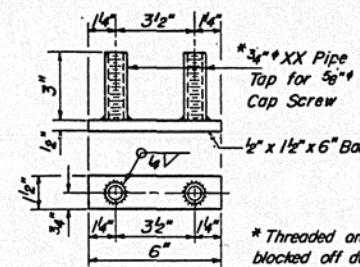
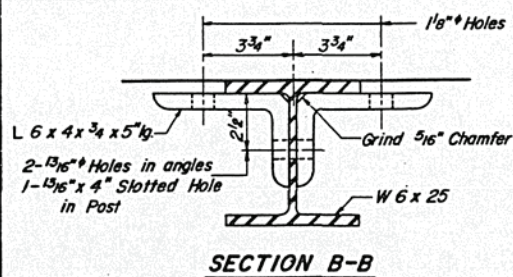
All posts, railing, rail splices, anchor devices and angles shall be galvanized after shop fabrication in accordance with A.A.S.H.T.O. M-III and A.S.T.M. A-385. Galvanized rail shall not be painted.

Railing shall be in accordance with Section 508 of the Standard Specifications, except as noted, and shall be paid for at the contract unit price per linear foot for STEEL RAILING, TYPE T-1.

All field drilled holes shall be coated with an approved zinc rich paint before erection.

The lower portion of the post flange in contact with concrete shall receive two coats of asphalt paint conforming to Section 714.08 Type B or place 1/2" fabric bearing pad between the post and concrete.

The 3/4" high strength bolts used to connect the 6 x 4 x 3/4 angles to the post shall be tightened in accordance with Article 507.04(g)(3) of the Standard Specifications. The 1" high strength bolts connecting the angles to the concrete shall be tightened to a snug fit and given an additional 1/2 turn. The 5/8" cap screws in bottom of posts shall be tightened to a snug fit only.



ILLINOIS DEPARTMENT OF TRANSPORTATION
3-BARREL BOX CULVERT OVER
TRIBUTARY TO BRUSHY FORK CREEK
SECTION 117-9R-2 EDGAR COUNTY
F.A.P. RTE. 836-STA. 135+39

TYPE T-1 STEEL RAILING