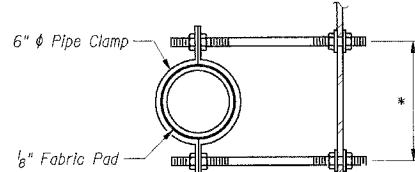


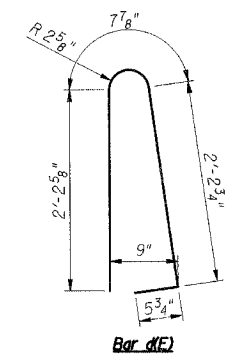
"C" = 4-#5b1(E) @ 11" cts. Typ. Btw. Girders (5 Thus)
 "D" = 4-#5b1(E) or #5b2(E) @ 12" cts. Typ. Btw. Girders (5 Thus)

SECTION A-A

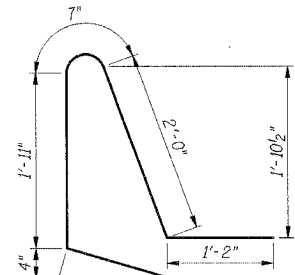


SECTION D-D

* Dimension as required by pipe clamp.

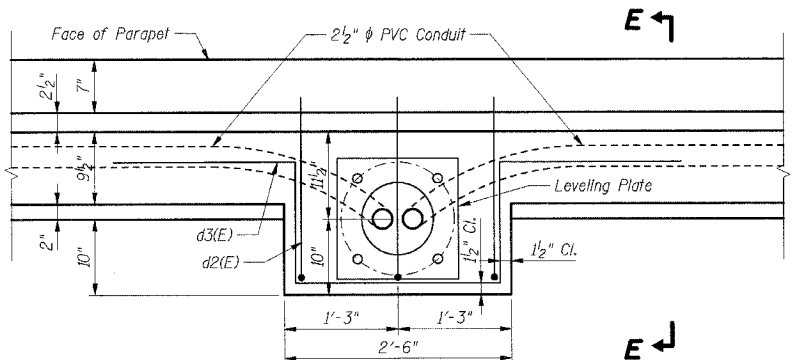


Bar d1(E)

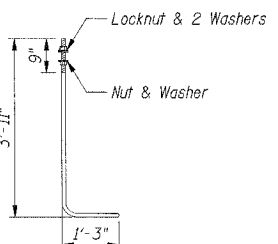


Bar d2(E)

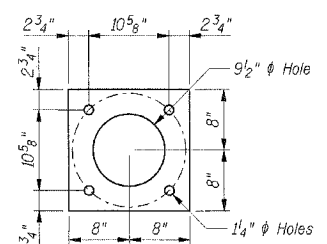
| Bar | No. | Size | Length | Shape |
|-------|-----|------|---------|-------|
| a1(E) | 397 | #5 | 28'-2" | |
| a2(E) | 418 | #5 | 28'-6" | |
| a3(E) | 418 | #6 | 4'-6" | |
| a4(E) | 2 | #5 | 30'-4" | |
| a5(E) | 16 | #4 | 2'-0" | |
| a6(E) | 30 | #5 | 6'-2" | |
| a7(E) | 8 | #6 | 30'-4" | |
| b1(E) | 616 | #5 | 30'-0" | |
| b2(E) | 56 | #5 | 18'-6" | |
| b3(E) | 87 | #6 | 37'-8" | |
| d(E) | 724 | #5 | 5'-7" | |
| d1(E) | 724 | #5 | 6'-10" | |
| d2(E) | 6 | #6 | 4'-5" | |
| d3(E) | 10 | #6 | 8'-11" | |
| e1(E) | 224 | #4 | 16'-5" | |
| e2(E) | 28 | #4 | 15'-3" | |
| e3(E) | 20 | #4 | 27'-10" | |
| e4(E) | 4 | #4 | 30'-10" | |
| e5(E) | 16 | #8 | 28'-10" | |
| e6(E) | 4 | #8 | 30'-10" | |
| x1(E) | 52 | #5 | 5'-11" | |



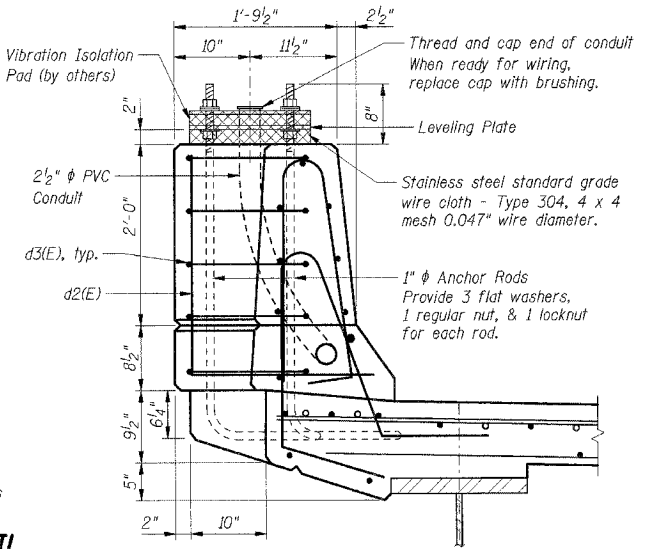
DETAIL A



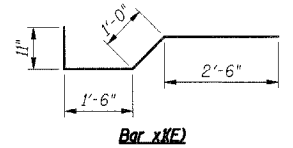
1" ANCHOR ROD



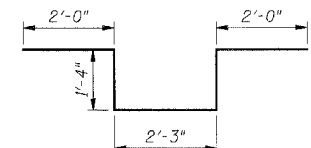
LEVELING PLATE DETAIL



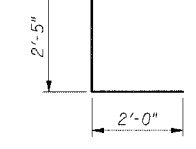
SECTION E-E



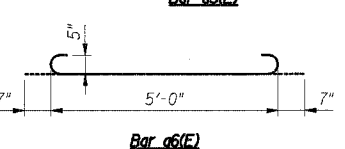
Bar x1(E)



Bar d3(E)



Bar d2(E)

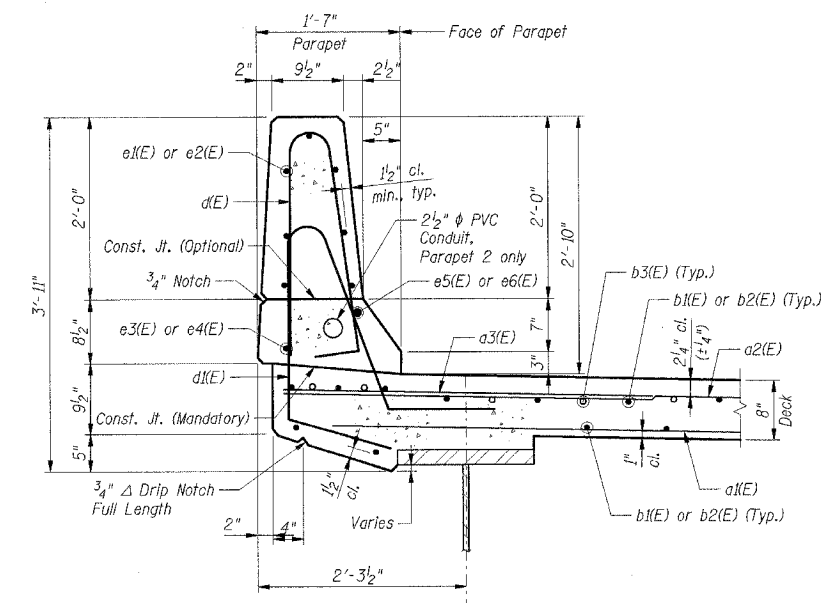


Bar a6(E)

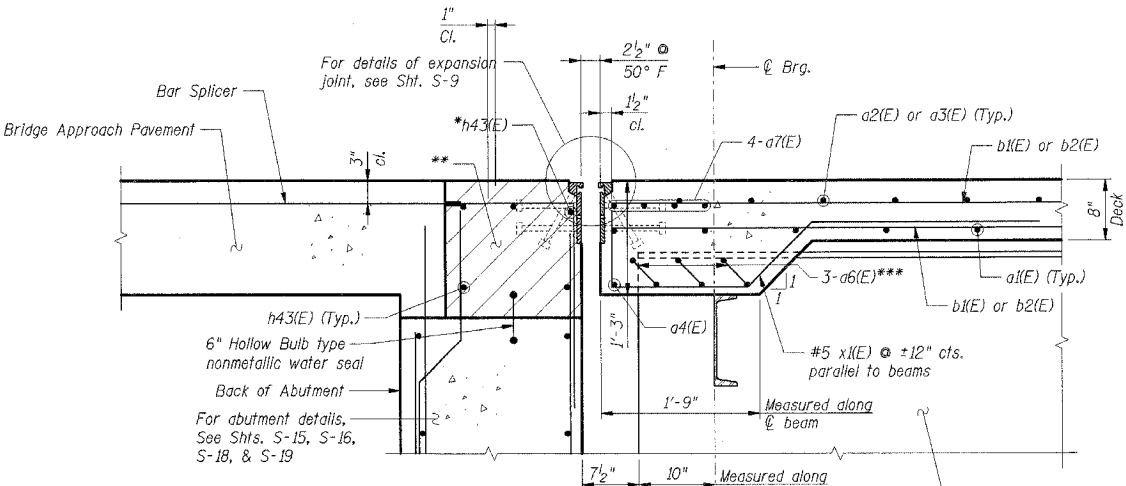
BILL OF MATERIAL

| Item | Unit | Total |
|----------------------------------|-------|--------|
| Concrete Superstructure | Cu Yd | 340.8 |
| Reinforcement Bars, Epoxy Coated | lbs | 67,460 |
| Bridge Deck Grooving | Sq Yd | 882 |
| Protective Coat | Sq Yd | 1,231 |

- Notes:**
- Work this sheet with Sheets S-6 & S-7.
 - Bars indicated thus: 4x2-#5 etc. Indicate 4 lines of bars with 2 lengths per line.
 - All edges shall have standard 3/4" chamfers except as noted.
 - Cut longitudinal bars to clear Drainage Scuppers.
 - Cost of anchor bolts, nuts, washers, leveling plates, wire cloth, conduit, expansion fillings and junction boxes shall be included with Concrete Superstructure.
 - Anchor rods for light poles shall be ASTM F 1554 Grade 105.



SECTION C-C



SECTION B-B

* h43(E) bars billed with abutments.
 ** Hatched area to be poured after superstructure forms have been removed. Quantity of concrete included with Concrete Superstructure.
 *** Tilt hook to miss beam flange.

SHT. S-8 OF S-24

| REVISIONS | |
|-----------|------|
| NAME | DATE |
| | |
| | |
| | |
| | |
| | |
| | |

ILLINOIS DEPARTMENT OF TRANSPORTATION
 F.A.P. ROUTE 338 (ILLINOIS ROUTE 59)
 IL ROUTE 59 OVER F.A.I. 55 (1-55)
 SECTION (26, 26HB-1 & 114) R-2
 STRUCTURE NUMBER 099-4642
 STATION 8021+17.13, WILL COUNTY

SUPERSTRUCTURE DETAILS AND BILL OF MATERIAL

DRAWN BY: TMH
 CHECKED BY: MDB
 DATE: 03/14/08

TENG

\DKF00159.DWG, \DKF00159.DWG, \DKF00159.DWG, \DKF00159.DWG, \DKF00159.DWG, \DKF00159.DWG, \DKF00159.DWG, \DKF00159.DWG
 3-15-2008, 12:20:48
 T:\DOCUMENTS\982798\STRUCTURE\982798.DWG
 color Table: K:\STANDARD\TENG\DATA\COLORTABLE.TBL
 pen Table: N/A