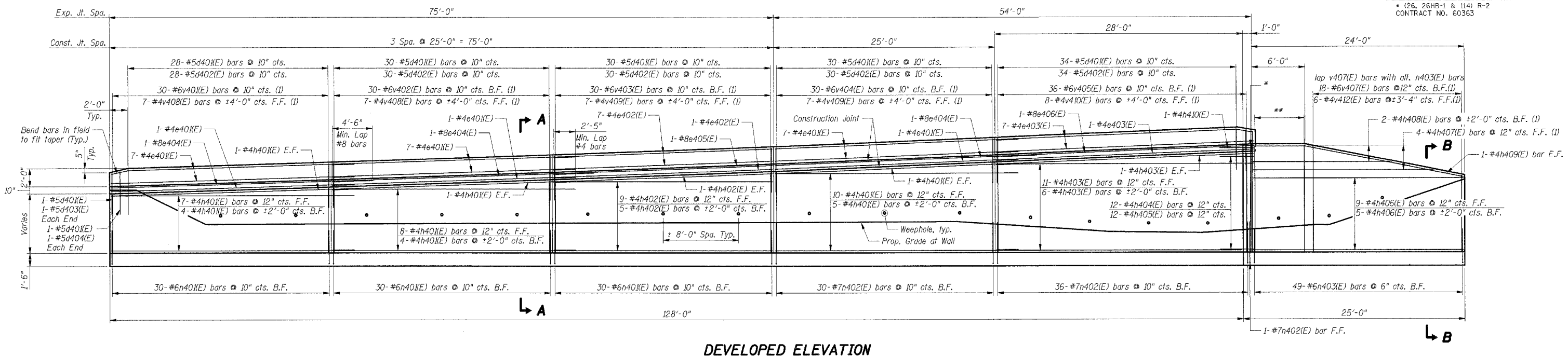
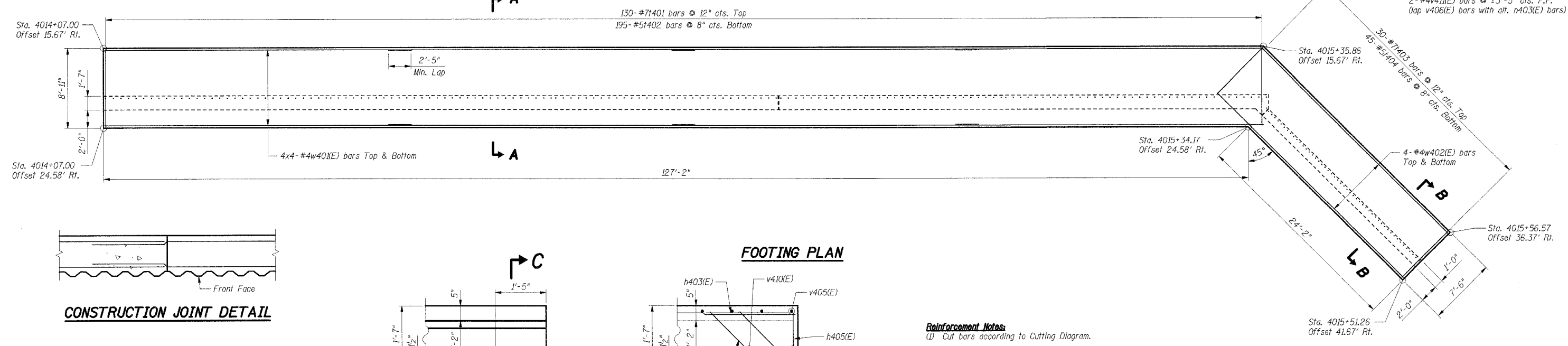


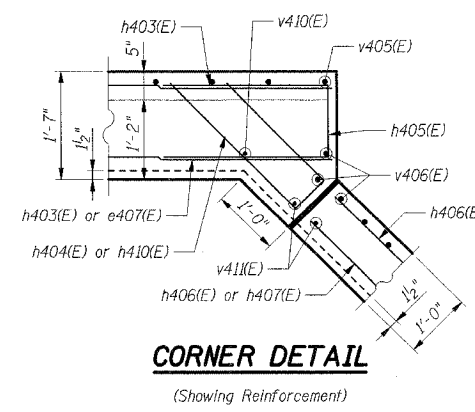
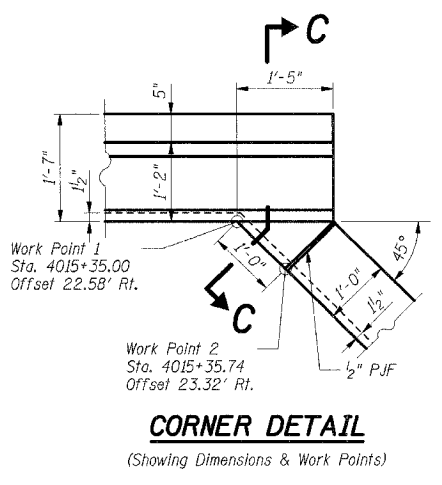
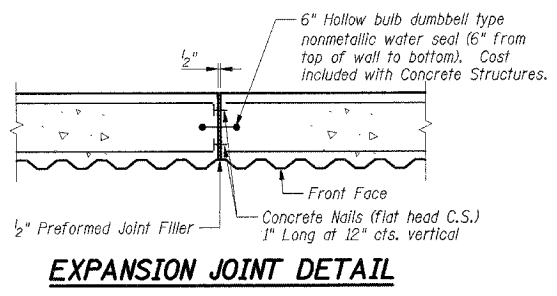
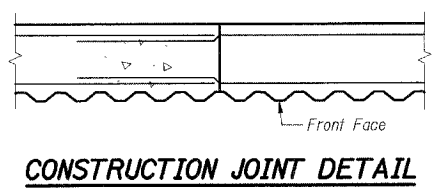
F.A.I. RTE.	SECTION	COUNTY	TOTAL SHEETS	SHEET NO.
59		WILL	608	378
STA.	TO STA.			
FED. ROAD DIST. NO. 1 ILLINOIS FED. AID PROJECT				
* (26, 26HB-1 & 114) R-2				
CONTRACT NO. 60363				



**DEVELOPED ELEVATION**



**FOOTING PLAN**



**Reinforcement Notes:**  
 (1) Cut bars according to Cutting Diagram.

- Notes:**
1. Work this sheet with sheets RWB-1 & RWB-3
  2. Bars indicated thus: 4x2-#5 etc. indicate 4 lines of bars with 2 lengths per line.
  3. E.F. indicates Each Face.
  4. B.F. indicates Back Face.
  5. F.F. indicates Front Face.
  6. Const. Jt. denotes Construction Joint.
  7. Exp. Jt. denotes Expansion Joint.

**SHT. RWB-2 OF RWB-4**

REVISIONS	
NAME	DATE

ILLINOIS DEPARTMENT OF TRANSPORTATION  
 F.A.P. ROUTE 338 (ILLINOIS ROUTE 59)  
 SEIL ROAD RETAINING WALL  
 SECTION (26, 26HB-1 & 114) R-2  
 STRUCTURE NUMBER 099-W023  
 STATION 4014+07 TO STATION 4015+54, WILL COUNTY

**PLAN & ELEVATION**

DATE: 03/14/08  
 DRAWN BY: MDB  
 CHECKED BY:

**TENG**  
 TENG & ASSOCIATES, INC.  
 ENGINEERING ARCHITECTURE INTERIORS  
 225 N. MICHIGAN AVE. SUITE 2000, CHICAGO, IL 60601  
 TELEPHONE: 312.666.2000