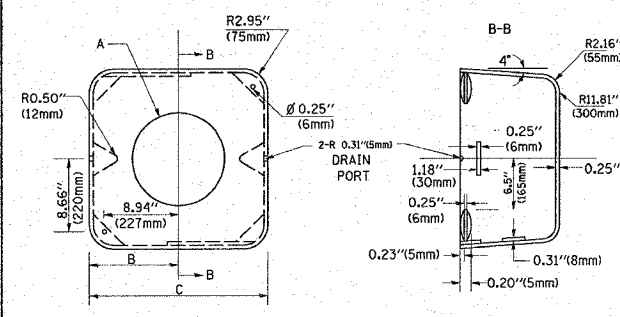


F.A.U. RTE.	SECTION	COUNTY	TOTAL SHEETS	SHEET NO.
1321	0711 RS-2	COOK	38	37
STA.	TO STA.		FED. ROAD DIST. NO. 1 ILLINOIS FED. AID PROJECT	
CONTRACT NO. 60A49				

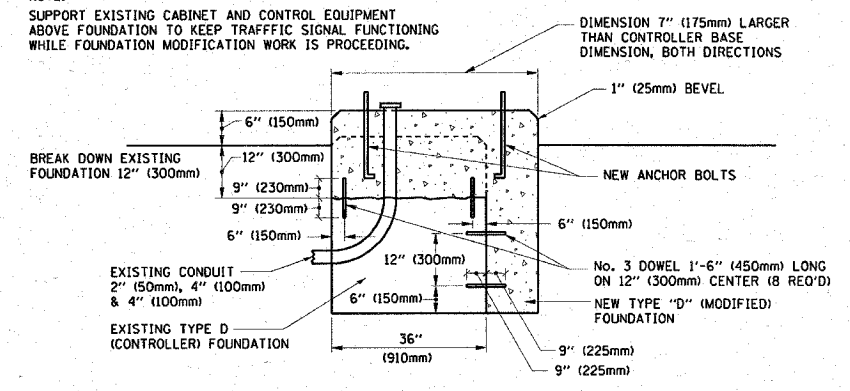
MATERIAL:
 - ASTM A48 CLASS 30 GREY IRON
 - ASTM A123 HOT DIPPED GALVANIZED



TYPE	A	B	C	HEIGHT	WEIGHT
I	Ø 10.125" (257mm)	9.5" (241mm)	19" (483mm)	12" (300mm)	24kg
II	Ø 11.125" (283mm)	10.75" (273mm)	21.5" (546mm)	12" (300mm)	26kg

SHROUD DETAIL

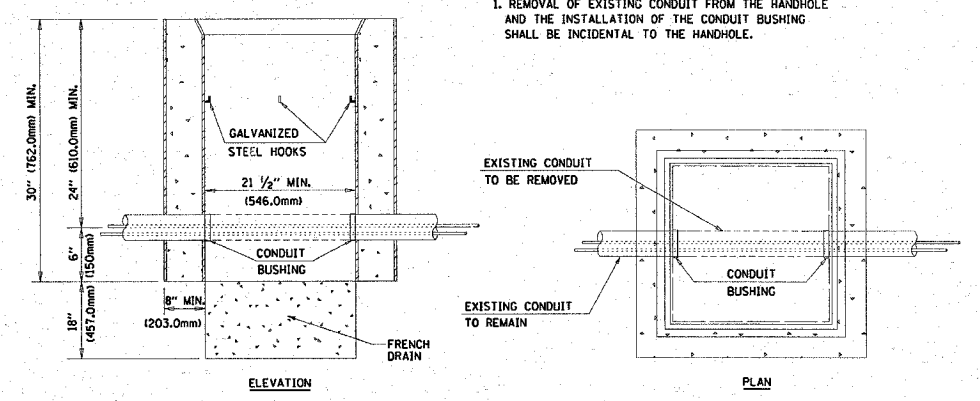
NOTE:
 SUPPORT EXISTING CABINET AND CONTROL EQUIPMENT ABOVE FOUNDATION TO KEEP TRAFFIC SIGNAL FUNCTIONING WHILE FOUNDATION MODIFICATION WORK IS PROCEEDING.



MODIFY EXISTING TYPE "D" FOUNDATION

(NOT TO SCALE)

NOTES:
 1. REMOVAL OF EXISTING CONDUIT FROM THE HANDHOLE AND THE INSTALLATION OF THE CONDUIT BUSHING SHALL BE INCIDENTAL TO THE HANDHOLE.



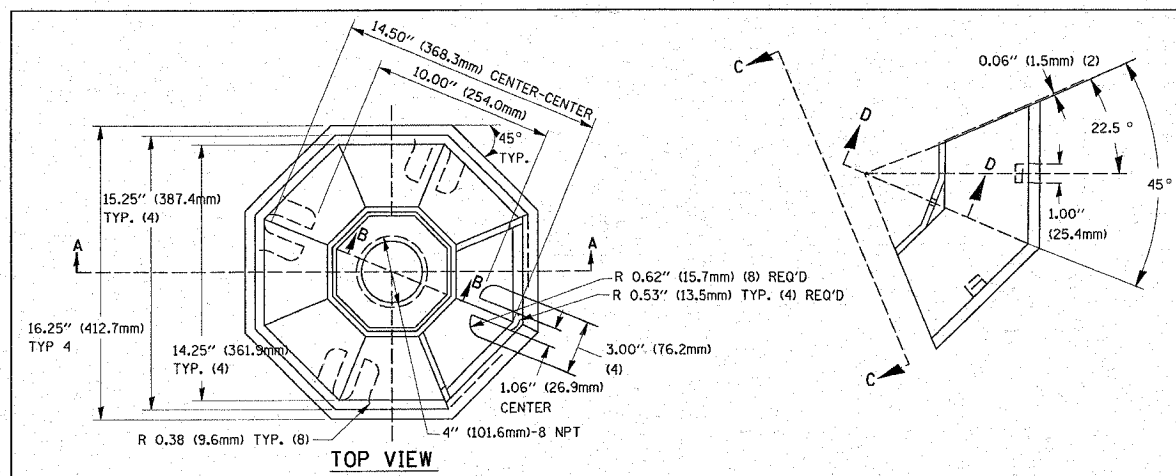
DETAIL
 HANDHOLE TO INTERCEPT EXISTING CONDUIT
 N.T.S.

REVISIONS	
NAME	DATE
BUREAU OF TRAFFIC	5/30/00
BUREAU OF TRAFFIC	3/15/01
BUREAU OF TRAFFIC	11/12/01
BUREAU OF TRAFFIC	1-01-02

ILLINOIS DEPARTMENT OF TRANSPORTATION
 DISTRICT ONE
 STANDARD TRAFFIC SIGNAL
 DESIGN DETAILS

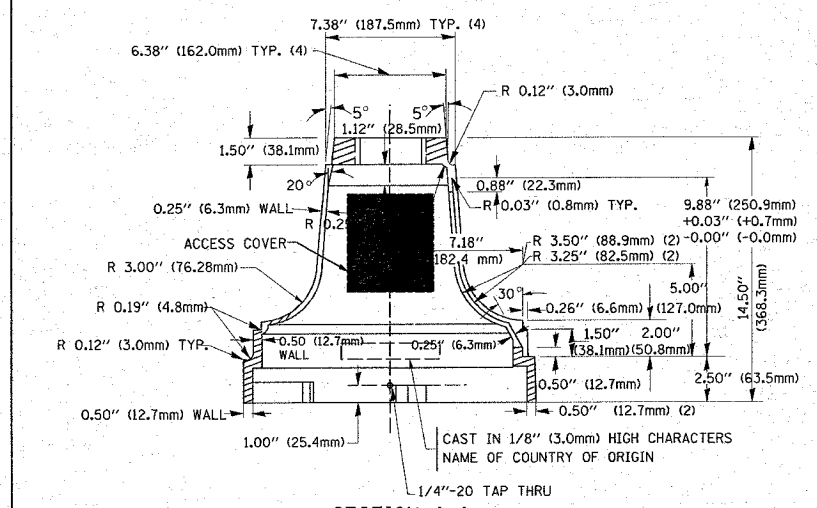
SCALE: NONE

DRAWN BY: RWP
 DESIGNED BY: DAD
 CHECKED BY: DAD
 SHEET 4 OF 4
 TS05



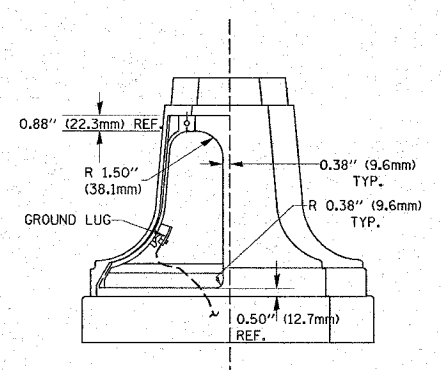
SECTION B-B

SECTION D-D



SECTION A-A

TRAFFIC SIGNAL POST - MOUNTING BASE - TYPE A



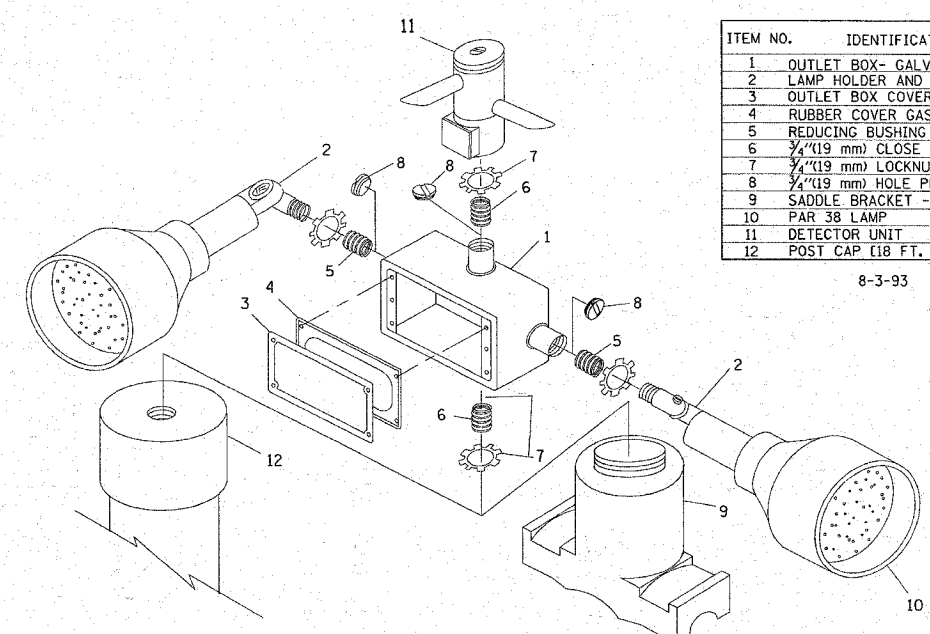
VIEW C-C

NOTES:

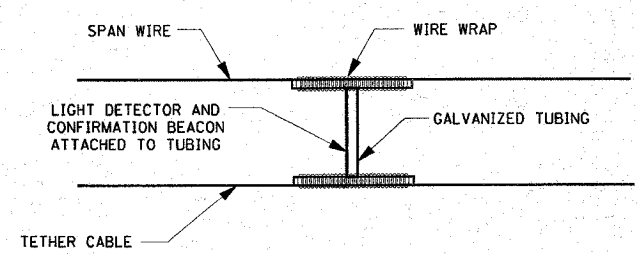
- ALL ELECTRICAL ITEMS, EXCEPT ITEMS #2 AND #11 SHALL BE ALUMINUM OR GALVANIZED
- ITEM #1- OZ/GEDNEY FSX-1-50 OR EQUIVALENT
 ITEM #2- MULBERRY CON-O-SHADE LAMP SHIELD OR EQUIVALENT
 ITEM #9- "BAND-IT" SADDLE BRACKET OR EQUIVALENT
- WHEN POST MOUNTING IS SPECIFIED, ITEM #9 SHALL NOT BE REQUIRED. THE DETECTION UNIT SHALL BE MOUNTED DIRECTLY ON TOP OF THE CAP BY DRILLING AND TAPPING A 3/4" (19 mm) HOLE WITH PIPE THREADS. THE POST CAP SHALL EITHER BE SCREWED TO THE TOP OF THE POST OR A MINIMUM OF 3 TIGHTENING SCREWS SHALL BE REQUIRED ON EACH CAP.

ITEM NO.	IDENTIFICATION
1	OUTLET BOX- GALV. 21 CU.IN. (0.00344 CU-M)
2	LAMP HOLDER AND COVER
3	OUTLET BOX COVER
4	RUBBER COVER GASKET
5	REDUCING BUSHING
6	3/4" (19 mm) CLOSE NIPPLE
7	3/4" (19 mm) LOCKNUT
8	3/4" (19 mm) HOLE PLUG
9	SADDLE BRACKET - GALV.
10	PAR 38 LAMP
11	DETECTOR UNIT
12	POST CAP [8 FT. (5.4 m) POST MIN.]

8-3-93



POST CAP MOUNT
 MAST ARM MOUNT
 EMERGENCY VEHICLE DETECTOR WITH CONFIRMATION BEACON MOUNTING DETAIL



LIGHT DETECTOR AND
 CONFIRMATION BEACON MOUNTING
 FOR TEMPORARY TRAFFIC SIGNALS
 (NOT TO SCALE)

DATE: 3/19/2008
 FILE NAME: \\nfs11stf12g\Users\A\galbanob\Drawings\ts05.dgn
 PLOT SCALE: 1/8" = 1'-0"