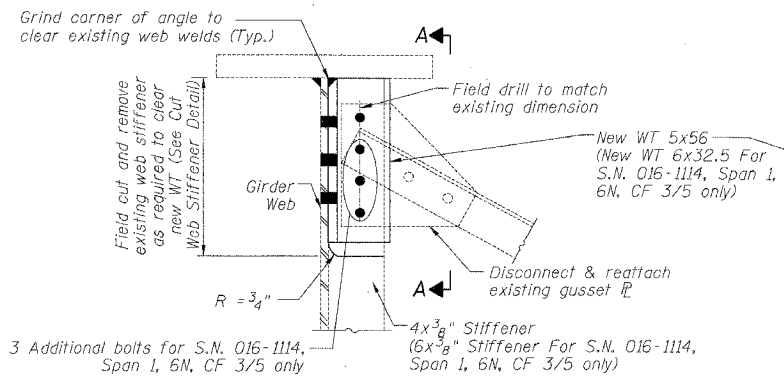
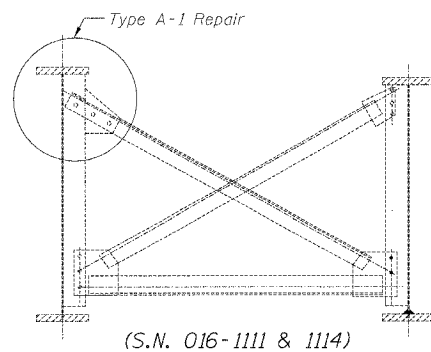


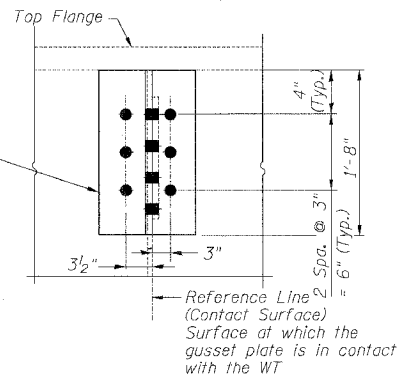
F.A.I.	SECTION	COUNTY	TOTAL SHEETS	SHEET NO.
94/90	2005-086 1	COOK	228	39
STA.		TO STA.		
FED. ROAD DIST. NO.		ILLINOIS FED. AID PROJECT		

60B07

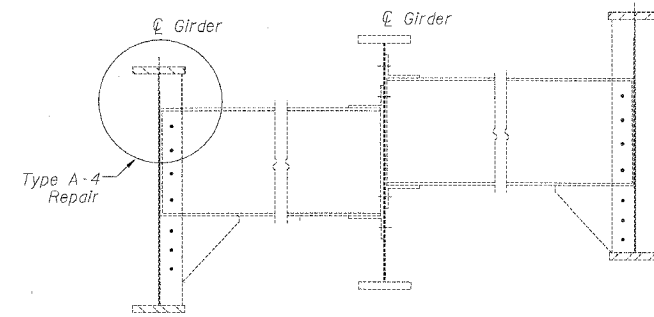
⊕ Girder



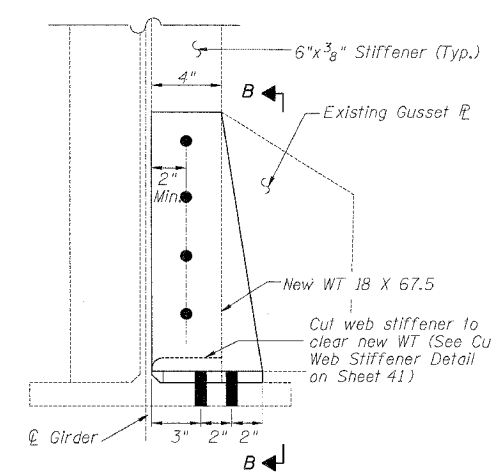
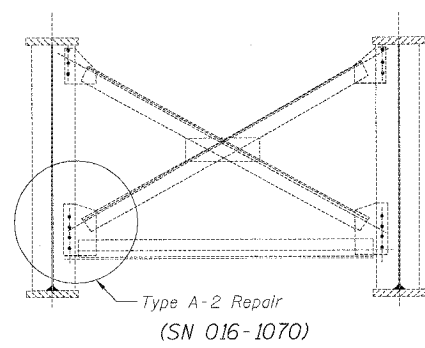
**PARTIAL ELEVATION TYPE A-1**



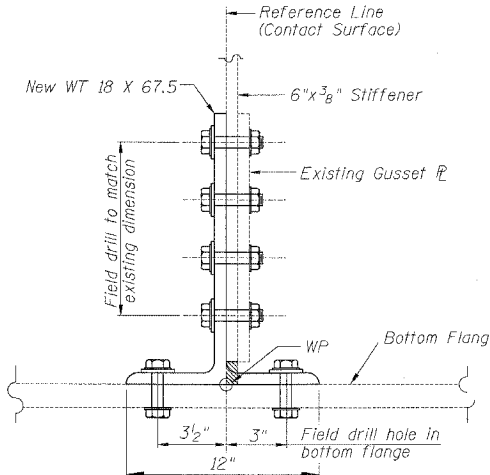
**VIEW A-A**



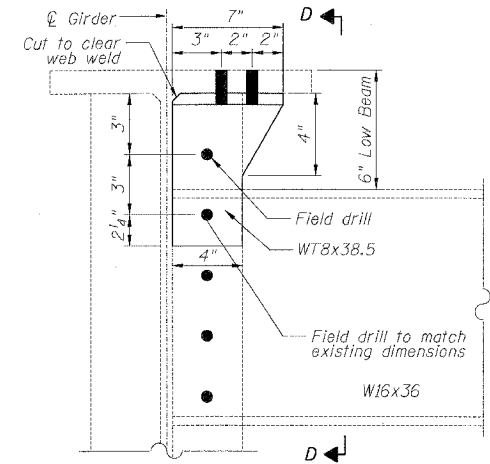
**EXISTING TYPICAL INTERIOR DIAPHRAGM SN 016-1118, SN 016-1067 & SN 016-1117 (Span 18A)**



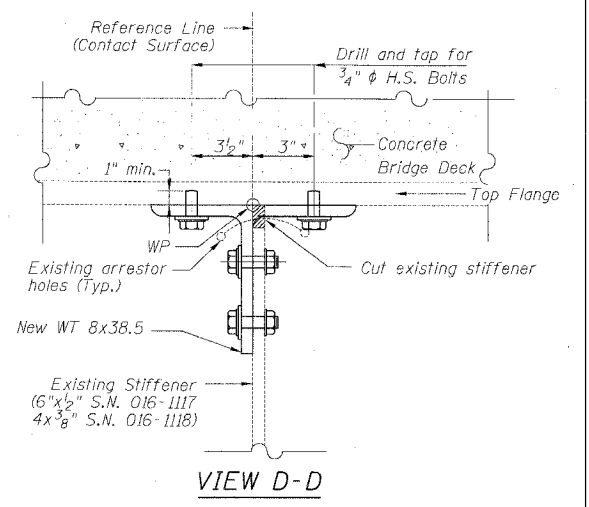
**PARTIAL ELEVATION TYPE A-2**



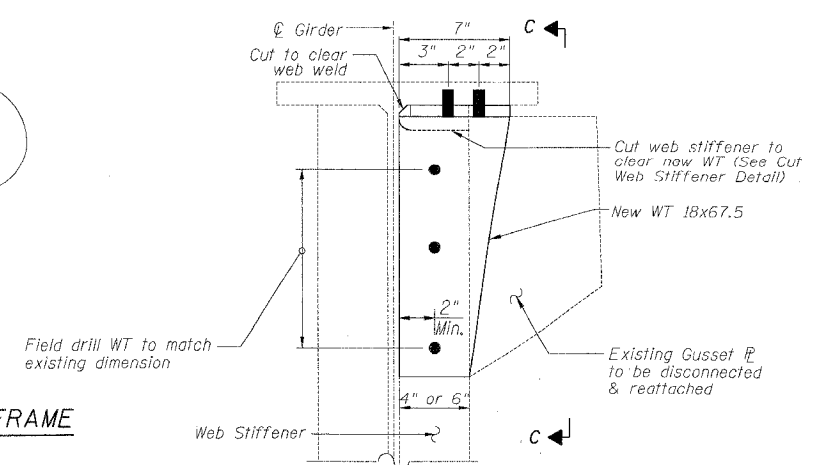
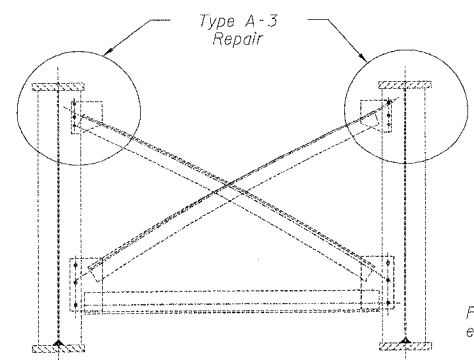
**VIEW B-B**



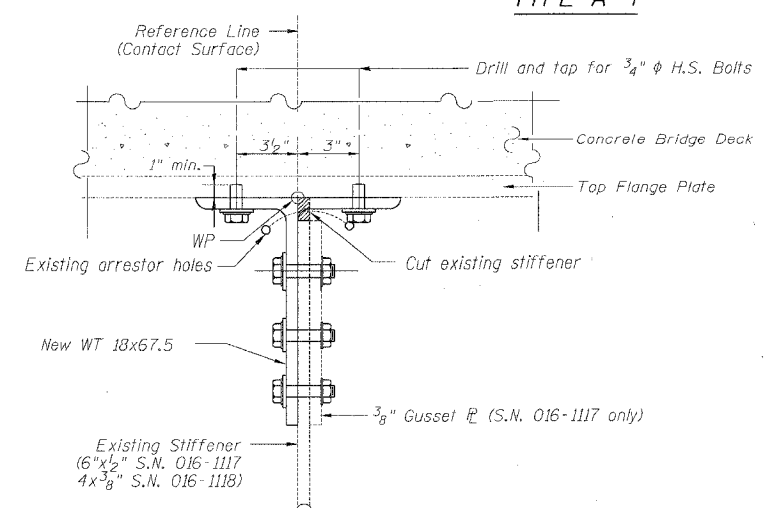
**PARTIAL ELEVATION TYPE A-4**



**VIEW D-D**



**PARTIAL ELEVATION TYPE A-3**



**VIEW C-C**

**EXISTING TYPICAL INTERIOR CROSS FRAME (SN 016-1117) (Spans 21-23 Beams)**

BOWMAN, BARRETT & ASSOCIATES INC.  
CONSULTING ENGINEERS  
Chicago, Illinois  
312.228.0100  
www.bbainc.com

**DETAIL A FATIGUE RETROFIT REPAIR**

**BILL OF MATERIAL**

Item	Unit	Quantity
Structural Steel Repair	Pound	1,840

REVISIONS	
NAME	DATE

ILLINOIS DEPARTMENT OF TRANSPORTATION  
F.A.I. 94/90 (DAN RYAN EXPRESSWAY)  
DAN RYAN ELEVATED BRIDGE  
BEARING REPLACEMENT & STEEL REPAIR  
STEEL REPAIRS DETAIL A  
SCALE: NTS  
DATE: 3/1/2008  
DRAWN BY: MTR  
CHECKED BY: BLU

16:660/000/BRIDGE/21A/SHEET'S 660\_21A\_S3R0142P 8:40:44 AM 3/21/2008